

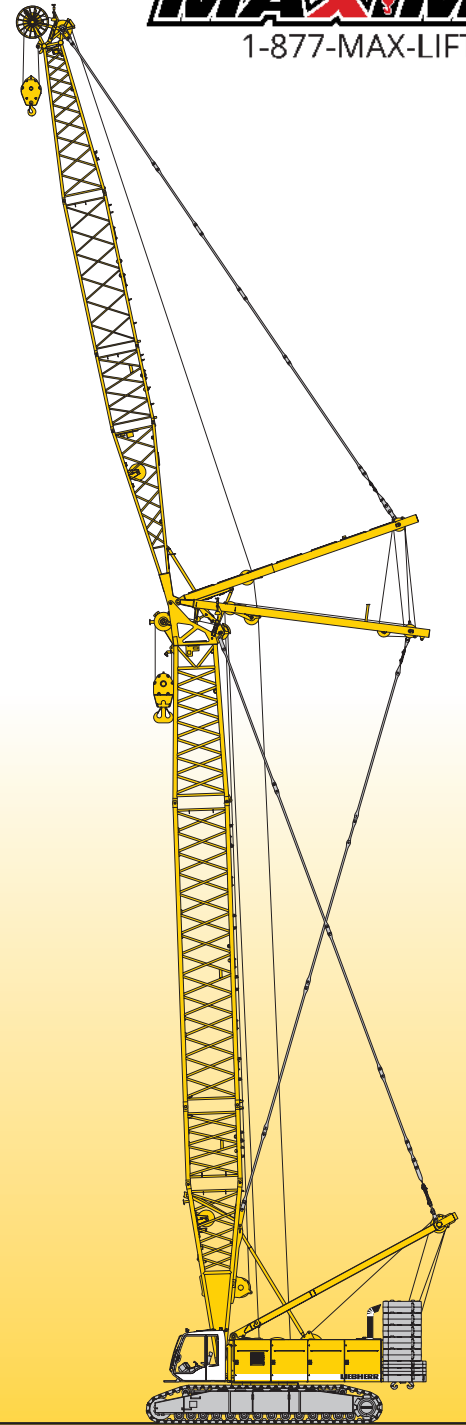
Technical data Hydraulic lift crane

LR 1280

Litronic®

Complies with ANSI B 30.5

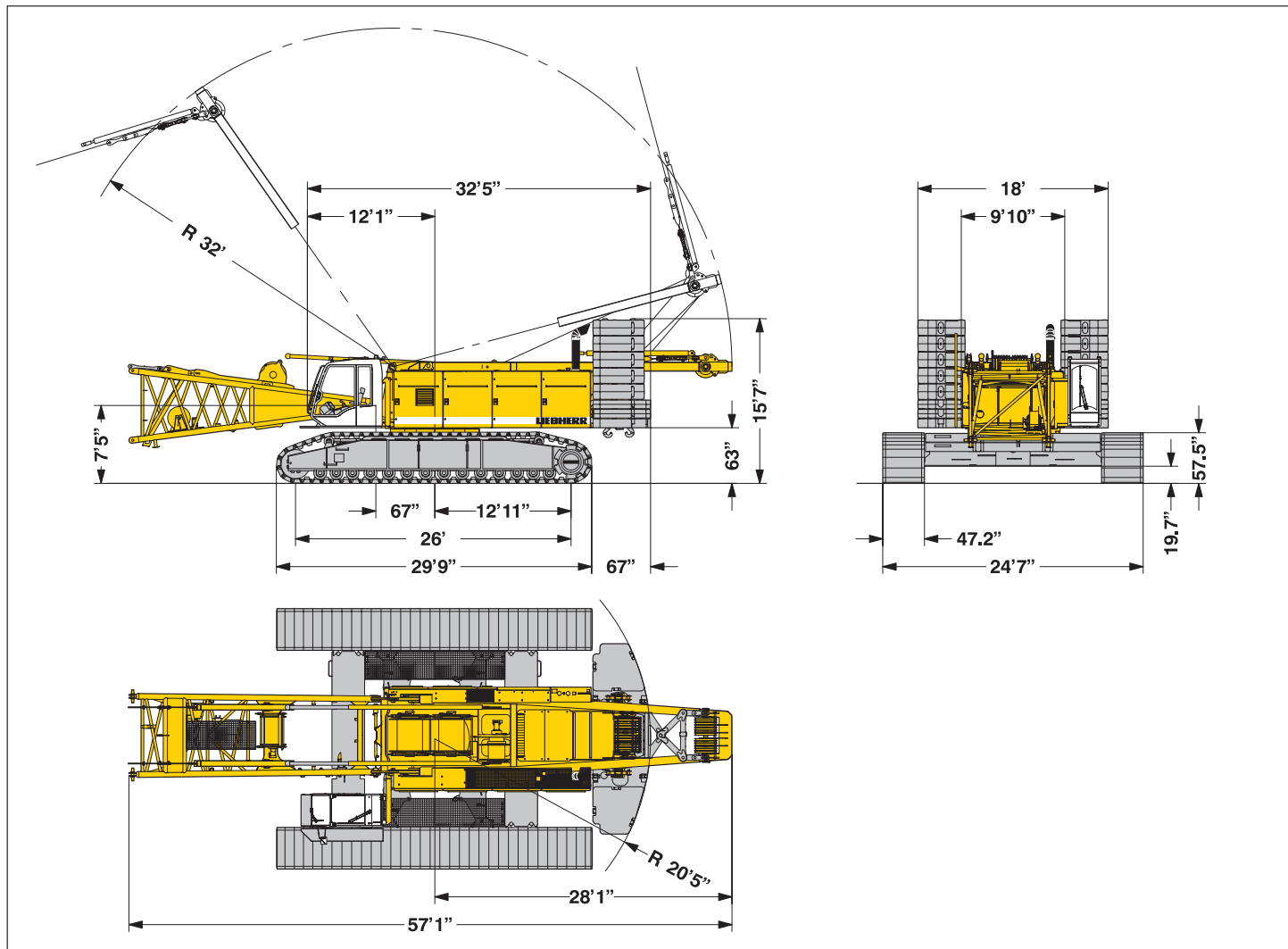
MAXIM
1-877-MAX-LIFT



LIEBHERR

Dimensions

Basic machine with undercarriage



Operating weight

The operating weight includes the basic machine with crawlers, 2 main winches 33,100 lbs and 66 ft main boom, consisting of A-frame, boom foot (23 ft), boom head (23 ft), boom extension (20 ft) 188,500 lbs basic counterweight, 79,400 lbs carbody counterweight and 661,400 lbs hook block.

Total weight _____ appr. 494,700 lbs

Ground pressure

Ground bearing pressure _____ 16.8 PSI

Equipment

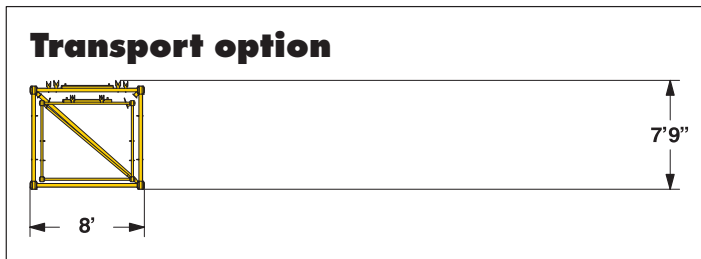
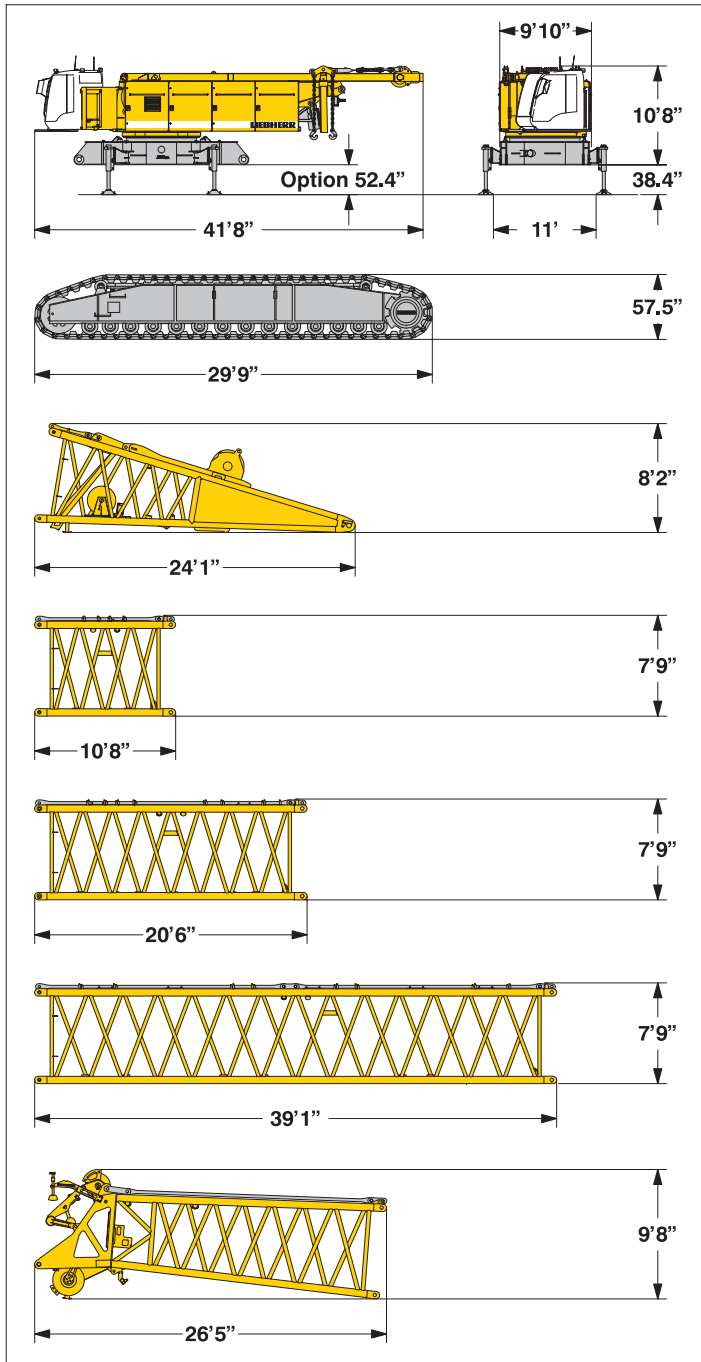
Main boom (No. 2220.xx) max. length _____ 296 ft
 High reach (No. 2220.xx and 1916.xx) _____ 391 ft
 Luffing jib (No. 1916.xx) max. length _____ 312 ft
 Max. combination _____ boom 181 ft and luffing jib 312 ft
 Fixed jib (No. 1008.xx) _____ 36 ft – 85 ft
 Auxiliary jib 66150 lbs lifting capacity

Remarks

1. The lifting capacities stated are valid for lifting operation only (corresponds with crane classification according to F.E.M. 1.001, crane group A1)
2. Crane standing on firm, horizontal ground.
3. The weight of the lifting device (hoisting ropes, hook block, shackle etc.) must be deducted from the gross lifting capacity to obtain a net lifting value.
4. Additional equipment on boom (e.g. boom walkways, auxiliary jib) must be deducted to get the net lifting capacity.
5. For max. wind speed please refer to lift chart in operator's cab or manual.
6. Working radii are measured from centre of swing and under load.
7. The lifting capacities are valid for 360 degrees of swing.
8. Calculation of stability under load is based on 75% tipping load, ANSI B 30.5 and ISO 4305 Table 2.
9. The structures are calculated according to F.E.M. 1.001 – 1998 (EN 13001–2 / 2004) and tested according to SAE J 987.

Transport dimensions and weights

Basic machine and boom (No. 2220.xx)



*) Including pendant straps

Basic machine

with A-frame, 2x 33,100 lbs crane winches including wire ropes (max. 2182 ft, without crawlers, boom foot, basic counterweight and carbody counterweight)

Width	9'10"
Weight in lbs	91,700

Crawler

2x

Flat track shoes	47.2"
Width	55.1"
Weight in lbs	45,300

Boom foot (No. 2220.30)

Width	8'
Weight in lbs with luffing jib winch*	12,346
Weight in lbs without luffing jib winch*	8,820

Boom section (No. 2220.24)

10 ft

Width	8'
Weight in lbs*	2,500

Boom section (No. 2220.24)

20 ft

Width	8'
Weight in lbs*	4,135

Boom section (No. 2220.22)

38 ft

Width	8'
Weight in lbs*	6,400

Boom head (No. 2220.24)

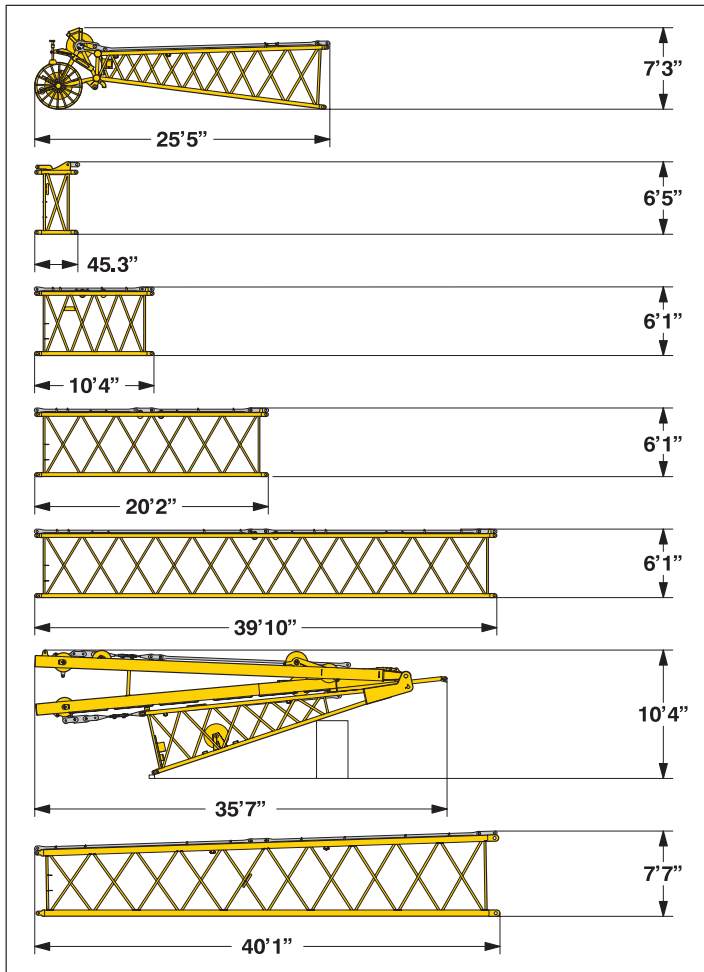
Width	8'
Weight in lbs*	10,400

Boom transport option

No. 2220.xx/1916.xxx	38'/40'	20'/20'	10'/10'
Length	41'	20'6"	10'8"
Weight in lbs*	9,100	5,650	3,700

Transport dimensions and weights

Luffing jib (No. 1916.xx)



Luffing jib head (No. 1916.21)

Width	6'9"
Weight in lbs*	3,400

L - boom jib section (No. 1916.22) **3 ft**

Width	6'9"
Weight in lbs*	1,010

Luffing jib section (No. 1916.18) **10 ft**

Width	6'9"
Weight in lbs*	1,210

Luffing jib section (No. 1916.18) **20 ft**

Width	6'9"
Weight in lbs*	1,520

Luffing jib section (No. 1916.18) **40 ft**

Width	6'9"
Weight in lbs*	2,760

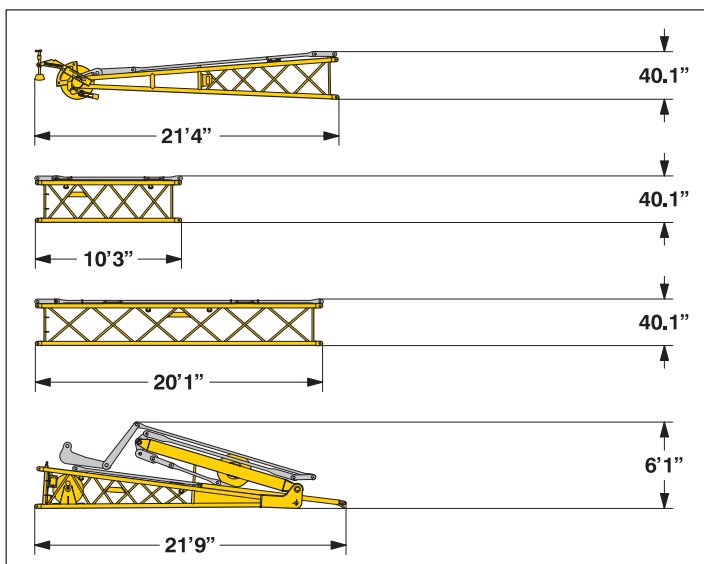
Luffing jib foot with A-frames (No. 1916.22)

Width	6'9"
Weight in lbs*	14,110

L - boom section tapered (No. 2320/1916.20) **40 ft**

Width	7'11"
Weight in lbs*	5,810

Fixed jib (No. 1008.xx)



Fixed jib head (No. 1008.20)

Width	45"
Weight in lbs*	2,060

Fixed jib section (No. 1008.17) **10 ft**

Width	43.3"
Weight in lbs*	660

Fixed jib section (No. 1008.17) **20 ft**

Width	43.3"
Weight in lbs*	1,010

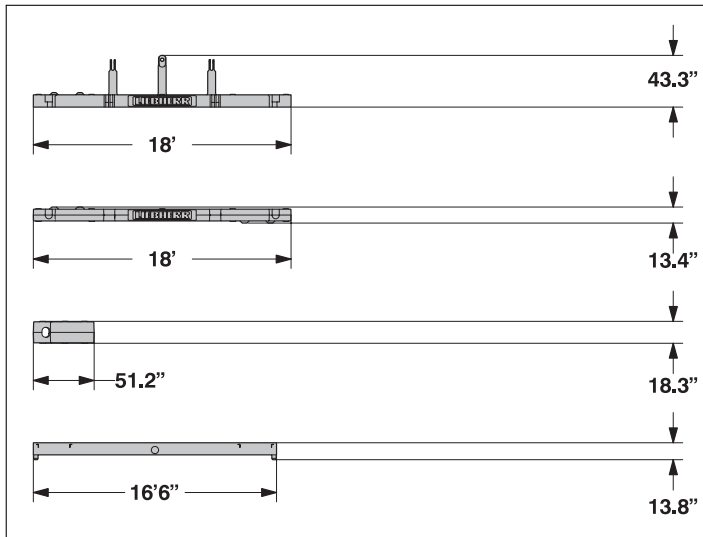
Fixed jib foot with A-frame (No. 1008.20)

Width	59"
Weight in lbs*	4,300

*) Including pendant straps

Transport dimensions and weights

Counterweights



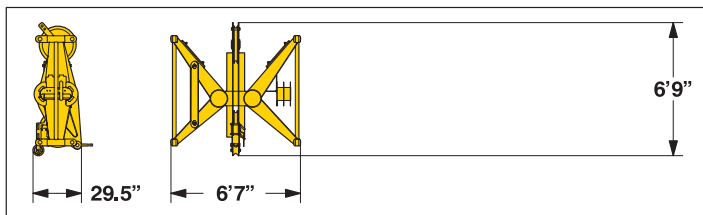
Counterweight	1x
Width	5'5"
Weight in lbs	29,300

Counterweight	2x
Width	5'5"
Weight in lbs	23,370

Counterweight	10x
Width	4'6"
Weight in lbs	11,250

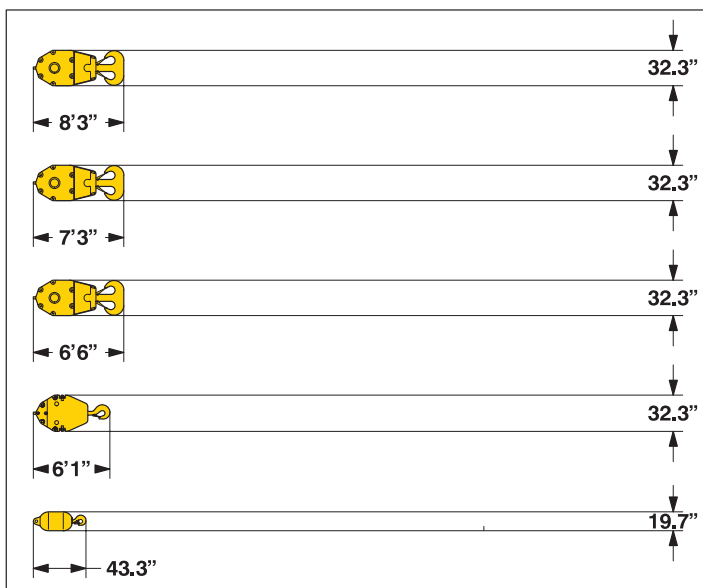
Carbody counterweight	4x
Width	45.3
Weight in lbs	19,850

Mid fall (option)



Mid fall section (No. 1916.32)	1.64 ft
Width	29.5"
Weight in lbs	1,600

Hooks



661,400 lbs hook block - 11 sheaves	
Width	34.6" — 48.4"
Weight in lbs	7,050 — 12,130

330,700 lbs hook block - 5 sheaves	
Width	19.7" — 26" — 32.3"
Weight in lbs	3,500 — 6,200 — 8,800

220,500 lbs hook block - 3 sheaves	
Width	13.4" — 19" — 24.4"
Weight in lbs	2,400 — 4,500 — 6,600

110,200 lbs hook block - 1 sheave	
Width	11" — 16.1" — 21.3"
Weight in lbs	1,800 — 3,500 — 5,300

35,300 lbs single hook	
Width	19.7"
Weight in lbs	2,000

Technical description



Engine

Power rating according to ISO 9249, 450 kW (603 HP) at 1900 rpm
Engine type ———— Liebherr D 9508 A7
Fuel tank ———— 238 gal capacity with continuous level indicator
and reserve warning
Engine complies with NRMM exhaust certification EPA / CARB Tier 3 and
97/68 EC Stage III



Hydraulic system

An axial displacement pump supplies the open loop hydraulic system for boom luffing, jib luffing and travel. The main hoist winches and swing are operated in a closed loop system. All functions can be operated simultaneously. To minimize peak pressure an automatic working pressure cut-off is integrated in a pump. All filters are electronically monitored.
The use of synthetic environmentally friendly (biodegradable) oils is possible.
Working pressure ———— max. 5076 PSI
Oil tank capacity ———— 238 gal



Luffing jib winch

Line pull ———— max. 23,150 lbs
Rope diameter ———— 20 mm
Jib luffing ———— 51 sec. from 15° to 78°



Boom winch

Line pull ———— max. 48,000 lbs
Rope diameter ———— 24 mm
Boom up ———— 137 sec. from 15° to 86°



Swing

Consists of rollerbearing with external teeth, swing drive with fixed axial piston hydraulic motor, spring loaded and hydraulically released multi-disc holding brake, planetary gearbox and pinion.
Both swing modes are possible – speed control or free swing.
A multi-disc holding brake acts automatically at zero swing motion.
Swing speed from 0 – 1.8 rpm continuously variable.



Main winches

Line pull (1st layer) ———— max. 47,400 lbs
Line pull (7th layer) ———— 33,100 lbs
Rope diameter ———— 28 mm
Drum diameter ———— 28.7 inch
Rope speed ft/min ———— 0 – 453
Rope capacity in 7 layers ———— 1,870 ft
The winches are outstanding in their compact design and easy assembly. Propulsion is via a planetary gearbox in an oil bath.
Load support by the hydraulic system; additional safety factor provided by a spring loaded, multi-disc holding brake.
The main winches use pressure controlled, variable flow hydraulic motors. This system features sensors that automatically adjust oil flow to provide max. winch speed depending on load.
Option – winch with freefall system:
Clutch and braking functions on the freefall system are provided by a compact designed, low wear and maintenance free multi-disc brake.



Crawlers

Propulsion through axial piston motor, hydraulically released spring loaded multi-disc brake, crawler tracks, hydraulic chain tensioning device.
Flat track shoes ———— 47.2 inch
Drive speed ———— 0 – 0.87 mph



Control

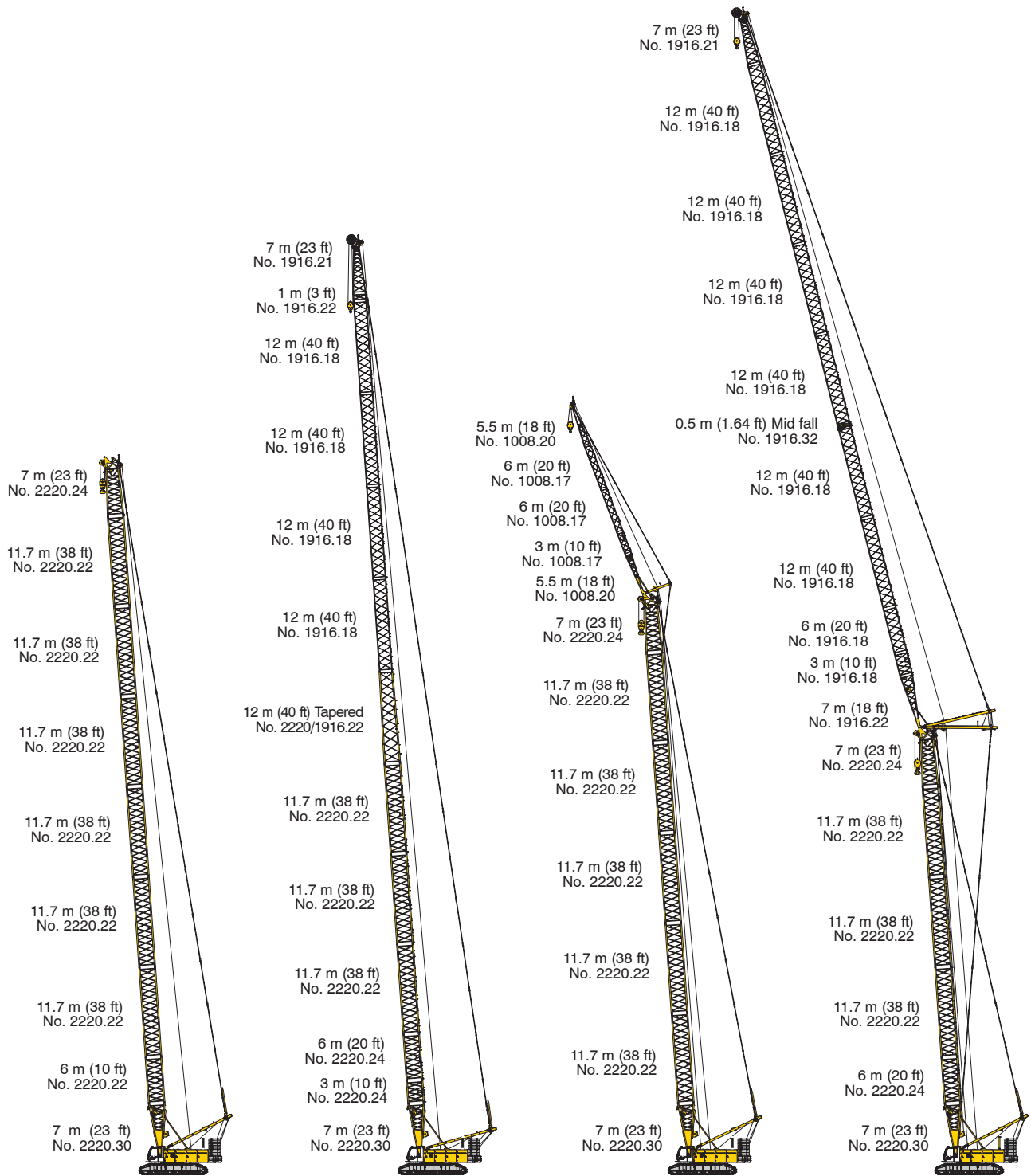
The control system – developed and manufactured by Liebherr – is designed to withstand extreme environmental conditions such as temperature, vibration and electromagnetic interference and to meet all requirements that are needed in heavy duty crane operation.
Complete machine operating data are shown on a high resolution display. Standard operational information is displayed by means of graphical symbols, fault indications are displayed in plain text (more than 15 languages available).
The cranes are equipped with proportional control for all main movements, which can be carried out simultaneously.
The crane is operated with 2 multi-directional joysticks, the right for winch I and boom, the left for winch II and swing control.
Option:
Bi-directional double T-levers for simultaneous boom and luffing jib operation.
The crawlers are activated by the two central foot pedals. Additionally, hand levers can be attached to the pedals.
Remote control for assembly of counterweight and boom hinge pins.



Noise emission

Noise emissions correspond with 2000/14/EC directive on noise emission by equipment used outdoors.

Boom combinations



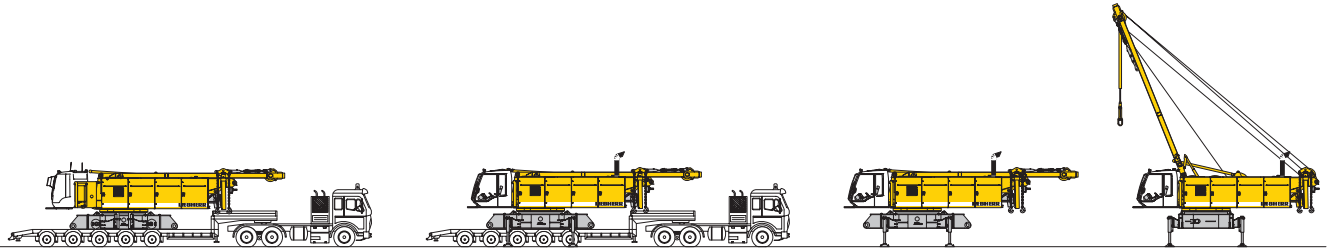
Main boom No. 2220.xx — 296 ft

Max. combination — 391 ft
 Main boom No. 2220.xx — 168 ft
 Tapered No. 2220/1916.xx — 40 ft
 Luffing jib No. 1916.xx — 183 ft

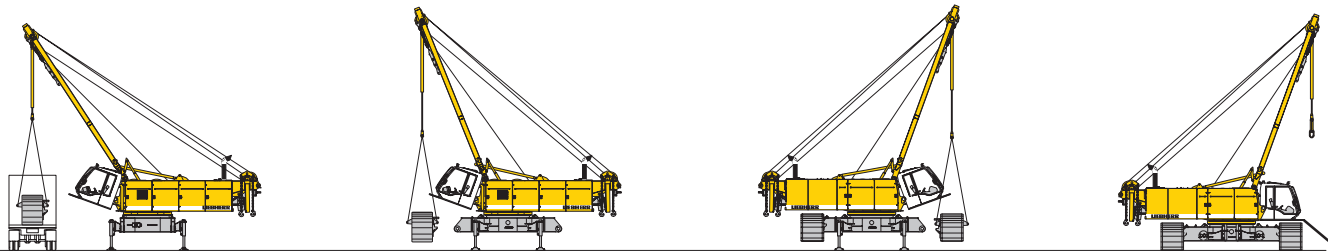
Max. combination — 323 ft
 Main boom No. 2220.xx — 238 ft
 Fixed jib No. 1008.xx — 85 ft

Max. combination — 493 ft
 Main boom No. 2220.xx — 181 ft
 Luffing jib No. 1916.xx — 312 ft
 Main boom No. 2220.xx — 191 ft
 Luffing jib No. 1916.xx — 243 ft

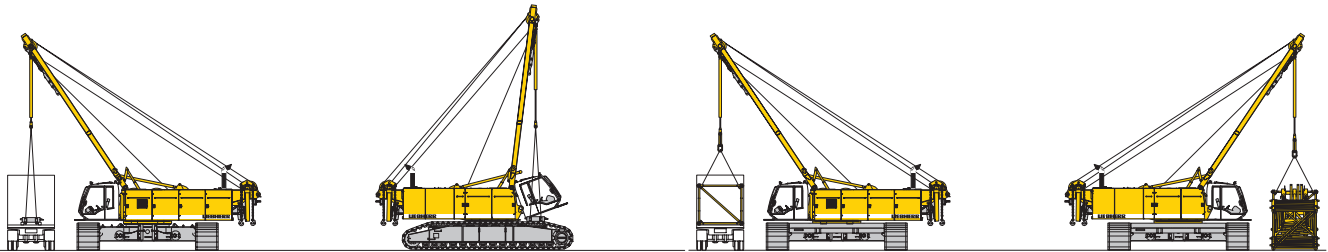
Self assembly system



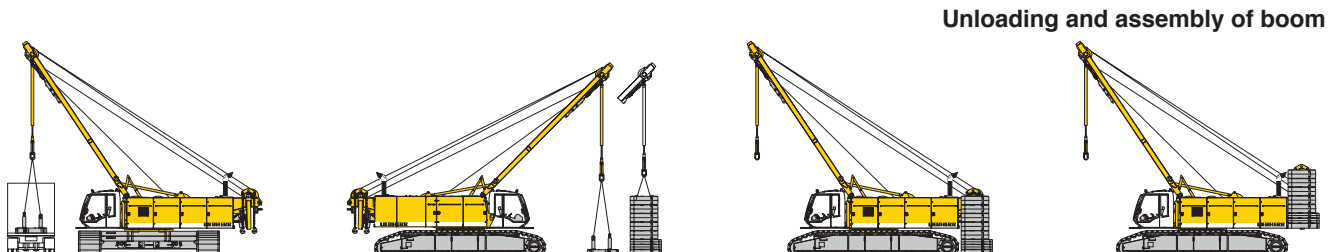
Unloading of basic machine



Unloading and assembly of crawlers

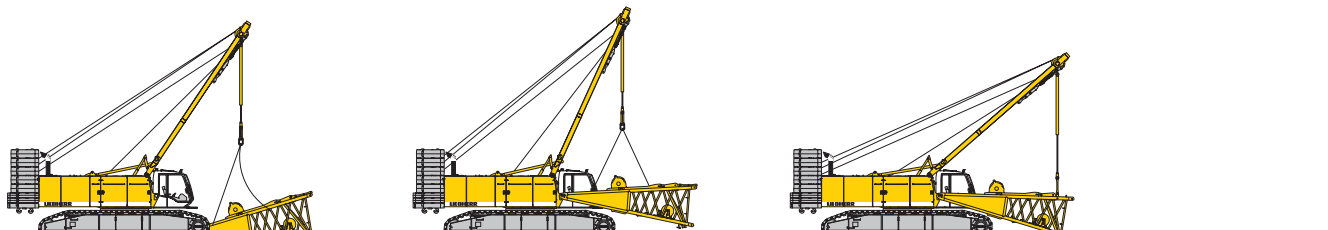


Unloading and assembly of carbody counterweight



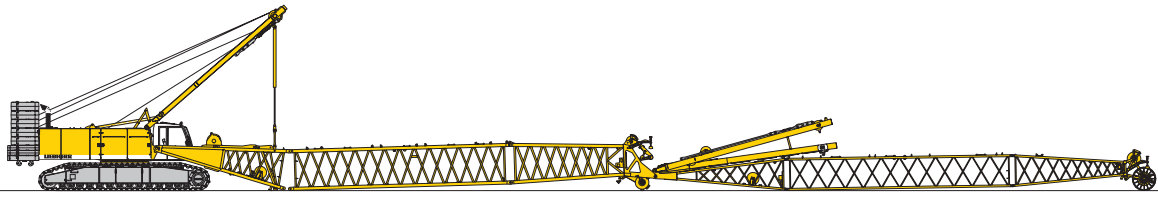
Unloading and assembly of boom

Unloading and assembly of counterweight

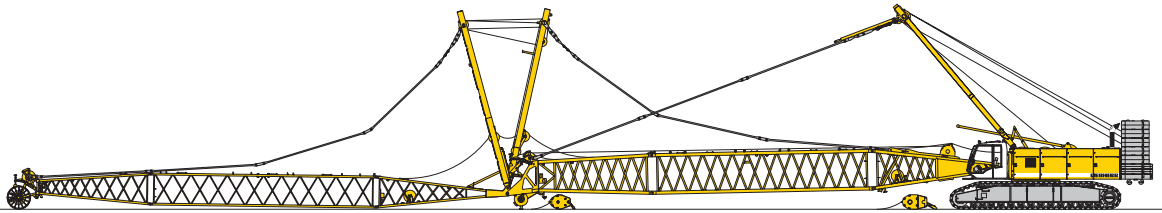


Unloading and assembly of boom foot

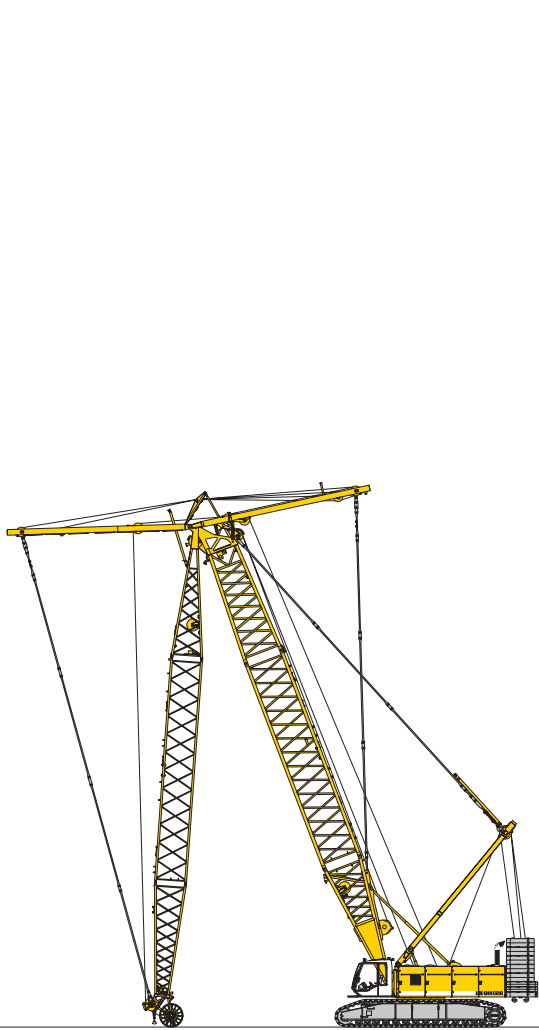
Erecting of main boom to working position



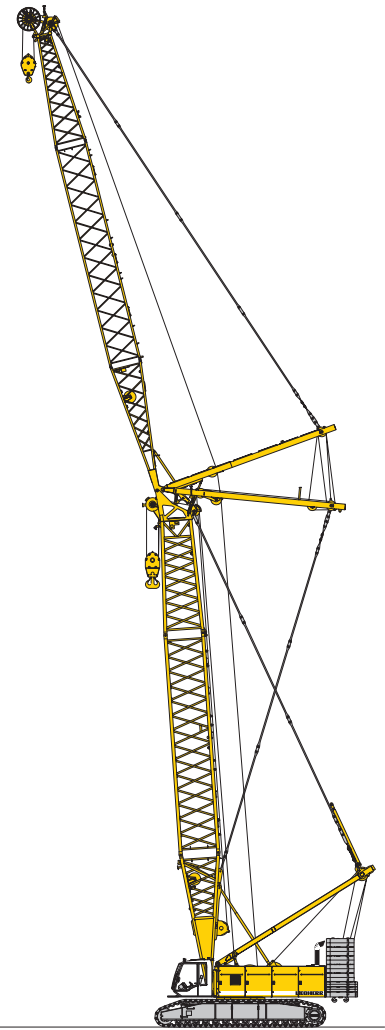
Assembly of boom



Reeving of hoist and luffing jib ropes



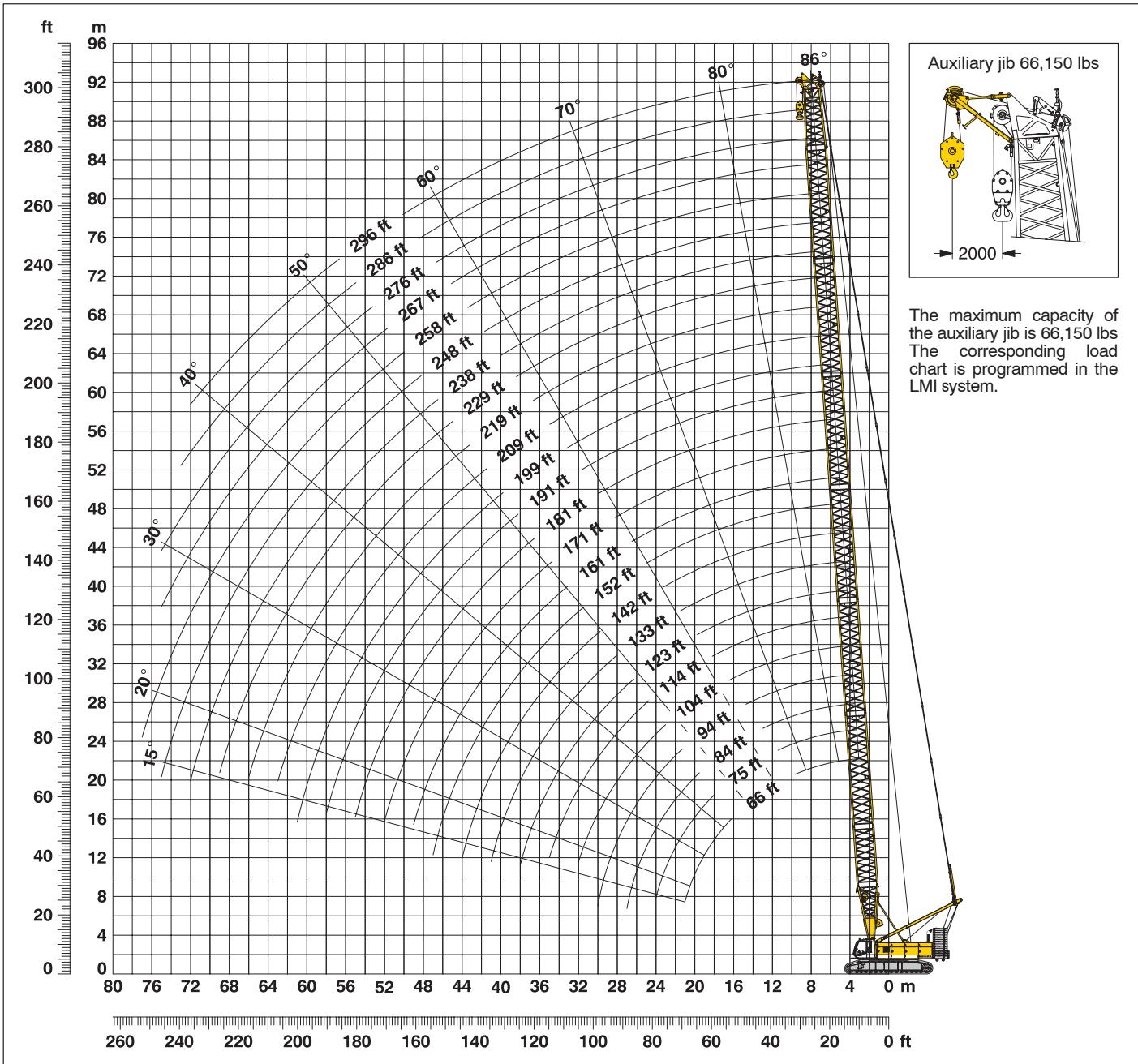
Erecting of main boom and luffing jib



Working position

Working range - main boom (No. 2220.xx) 86° - 15°

188,500 lbs counterweight and 79,400 lbs carbody counterweight



Main boom configuration (Table1 - No. 2220.xx)

Configuration for boom lengths (66 ft – 296 ft)

Configuration for boom lengths (66 ft – 296 ft)	Length	Amount of boom extensions																									
		23 ft	27 ft	31 ft	35 ft	39 ft	43 ft	47 ft	51 ft	55 ft	59 ft	63 ft	67 ft	71 ft	75 ft	79 ft	83 ft	87 ft	91 ft	95 ft	99 ft	103 ft	107 ft	111 ft	115 ft		
Boom foot	23 ft	1	1	1	1	1	1	1	1	1	1	1	1	1	1	1	1	1	1	1	1	1	1	1	1		
Boom insert	10 ft*		1		1		1		1		1		1		1		1		1		1		1		1		
Boom insert	20 ft*	1	1		1	1		1	1		1	1		1	1		1	1		1	1		1	1	1		
Boom insert	38 ft*			1	1	1	1	1	2	2	2	2	3	3	3	3	4	4	4	4	5	5	5	5	6	6	6
Boom head	23 ft	1	1	1	1	1	1	1	1	1	1	1	1	1	1	1	1	1	1	1	1	1	1	1	1	1	
Boom length in (ft)		66	75	84	94	104	114	123	133	142	152	161	171	181	191	199	209	219	229	238	248	258	267	276	286	296	

*Actual lengths of boom sections are metric (e.g. 3 m, 6 m, 11.7 m). The figures shown above are approximate conversions to feet.

Lift chart for main boom (No. 2220.xx)

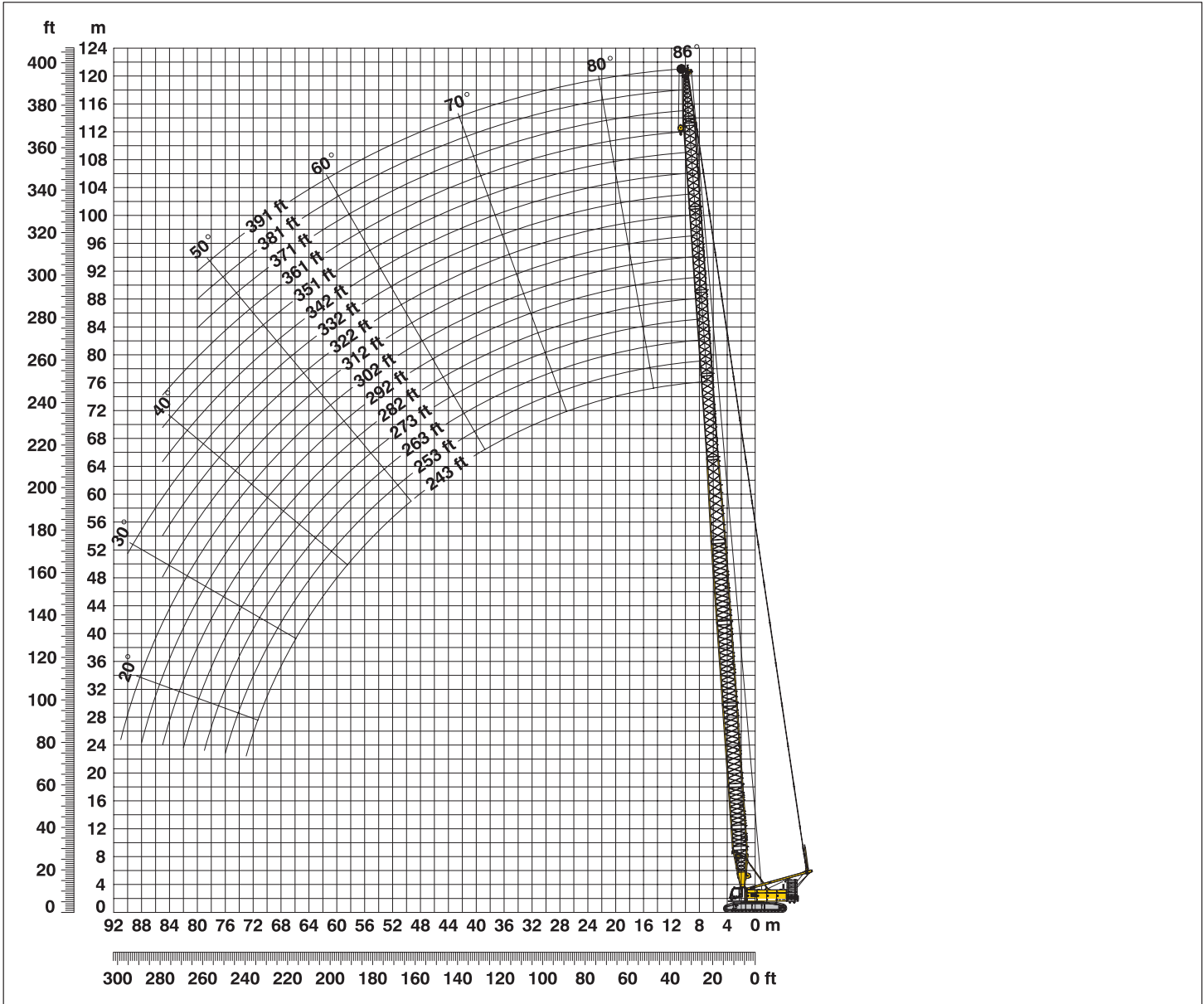
Capacities in 1000 lbs for boom lengths (66 ft – 296 ft) – with 33,100 lbs winches
188,500 lbs counterweight and 79,400 lbs carbody counterweight

Radius	Boom length in (ft)													Radius	
	66	84	104	123	142	161	181	199	219	238	258	276	296		
(ft)	lbs	lbs	lbs	lbs	lbs	lbs	lbs	lbs	lbs	lbs	lbs	lbs	lbs	lbs	(ft)
15	605.5														15
20	509.6	502.7	482.9	447.4	416.4										20
25	390.8	418.0	367.2	390.8	379.9	320.3	292.1	236.4	202.8						25
30	308.7	319.7	319.7	309.2	292.5	297.9	275.0	227.8	199.0	166.2	145.0	118.7			30
35	250.8	251.2	251.0	242.8	250.5	238.3	236.2	215.9	189.4	158.7	143.3	117.8	103.3		35
40	205.8	206.1	205.8	205.6	205.1	204.7	204.2	196.5	178.6	154.2	141.8	116.3	101.4		40
50	150.1	150.5	150.1	149.7	149.1	148.6	147.9	147.3	146.7	139.9	134.8	113.2	97.0		50
60	116.9	117.3	116.9	116.6	115.9	115.3	114.5	113.9	113.1	112.4	111.1	108.3	93.4		60
65	104.7	105.3	104.9	104.5	103.8	103.2	102.5	101.8	101.0	100.3	99.5	96.3	92.1		65
70		95.3	94.9	94.6	93.8	93.2	92.4	91.7	90.9	90.2	89.3	88.4	85.7		70
85		73.1	72.9	72.6	71.9	71.3	70.4	69.7	68.8	68.0	67.1	66.2	65.2		85
90			67.4	67.1	66.2	65.6	64.8	64.1	63.2	62.4	61.5	60.7	59.8		90
100			58.0	57.8	57.1	56.5	55.6	54.9	54.0	53.2	52.3	51.5	50.5		100
110				50.5	49.8	49.2	48.3	47.6	46.7	45.9	44.9	44.1	43.1		110
120				44.4	43.8	43.2	42.3	41.6	40.7	39.9	38.9	38.1	37.1		120
130					38.7	38.2	37.3	36.6	35.7	34.9	33.9	33.4	32.4		130
140					34.4	34.0	33.4	32.7	31.7	30.9	29.9	29.1	28.1		140
150						30.6	29.7	29.0	28.1	27.3	26.3	25.5	24.5		150
160							27.3	26.5	25.9	24.9	24.1	23.1	22.3	21.3	160
170								23.7	23.1	22.1	21.4	20.4	19.5	18.5	170
180									21.2	20.6	19.7	18.9	17.9	17.1	180
190										18.4	17.5	16.7	15.7	14.9	190
200											16.3	15.5	14.8	13.8	200
210												13.7	13.0	12.0	210
215												12.9	12.2	11.2	215
220													11.4	10.4	220
235														9.2	235
250															250
255															255
260															260
270															270

Above lift chart is for reference only. For actual lift duty please refer to lift chart in operator's cab or manual.

L - boom high reach (No.2220 / 1916.xx) **243 ft - 391 ft**

Working range 84° - 15°



L - boom configuration with 168 ft main boom (No. 2220.xx / No. 1916.xx)

Configuration for L - boom lengths (243 ft – 391 ft)

Configuration for L - boom lengths (243 ft – 391 ft)	Length	Amount of boom and luffing jib extensions															
		243	253	263	273	282	292	302	312	322	332	342	351	361	371	381	391
Boom foot	23 ft	1	1	1	1	1	1	1	1	1	1	1	1	1	1	1	1
Boom insert	10 ft*	1	1	1	1	1	1	1	1	1	1	1	1	1	1	1	1
Boom insert	20 ft*	1	1	1	1	1	1	1	1	1	1	1	1	1	1	1	1
Boom insert	38 ft*	3	3	3	3	3	3	3	3	3	3	3	3	3	3	3	3
Tapered	40 ft*	1	1	1	1	1	1	1	1	1	1	1	1	1	1	1	1
Luffing insert	10 ft*	1		1		1		1		1		1		1		1	
Luffing insert	20 ft*		1	1			1	1			1	1			1	1	
Luffing insert	40 ft*				1	1	1	1	2	2	2	2	3	3	3	3	4
Luffing jib head	26 ft*	1	1	1	1	1	1	1	1	1	1	1	1	1	1	1	1
Max. L - boom length (ft)		243	253	263	273	282	292	302	312	322	332	342	351	361	371	381	391

*Actual lengths of boom sections are metric (e.g. 3 m, 6 m, 8 m, 11.7 m, 12 m). The figures shown above are approximate conversions to feet.

Lift chart for L – boom (No. 2220 / 1916.xx)

Main boom length 168 ft

Capacities in 1000 lbs for L – boom lengths (243 ft – 391 ft) – with 33,100 lbs winches
188,500 lbs counterweight and 79,400 lbs carbody counterweight

Radius (ft)	Boom length in (ft)									Radius (ft)
	243 lbs	263 lbs	282 lbs	302 lbs	322 lbs	342 lbs	361 lbs	381 lbs	391 lbs	
32.8	137.0									32.8
35	136.6	111.7								35
40	132.8	110.6	92.8	77.9						40
45	126.4	105.8	90.0	75.6	61.8	52.4				45
50	120.8	101.8	86.5	72.4	59.7	51.4	42.7	36.3	28.5	50
60	98.2	88.3	80.4	67.7	55.9	48.2	40.0	34.5	27.3	60
70	83.8	77.9	75.2	61.6	51.9	45.4	37.8	28.7	26.2	70
80	71.4	67.1	66.5	58.0	49.1	42.8	35.5	27.3	25.0	80
90	60.3	59.8	59.7	54.3	45.8	40.4	33.8	26.3	24.1	90
100	56.1	52.3	54.3	51.2	43.4	38.2	29.1	25.3	23.0	100
110	49.4	47.0	49.2	46.8	40.3	36.5	27.7	24.3	21.9	110
120	43.6	42.4	44.6	43.4	37.1	33.6	26.1	23.6	21.0	120
130	39.3	38.8	39.7	39.4	34.7	29.6	24.1	21.9	19.7	130
140	35.3	35.5	35.5	35.2	31.8	28.4	22.5	20.4	18.3	140
150	32.1	31.4	32.0	31.6	30.1	27.1	21.3	19.2	17.1	150
160	29.0	28.9	28.9	28.6	28.5	25.9	20.3	18.3	16.1	160
170	26.3	26.1	26.1	25.9	25.8	24.9	19.5	17.6	15.4	170
180	23.8	23.7	23.7	23.5	23.3	23.0	18.8	16.9	14.8	180
190	21.7	21.6	21.6	21.3	21.2	20.9	18.1	16.4	14.3	190
200	19.8	19.6	19.6	19.4	19.3	19.0	16.6	15.8	13.8	200
210	18.0	17.9	17.9	17.7	17.5	17.1	15.3	14.1	12.8	210
220	16.4	16.3	16.3	16.1	16.0	15.5	14.2	12.5	11.6	220
230	15.0	14.9	14.9	14.7	14.3	13.8	13.3	11.2	10.5	230
235	14.2	14.2	14.2	14.0	13.5	12.9	12.7	10.6	10.0	235
240		13.6	13.4	13.2	12.8	12.2	11.9	10.1	9.6	240
250		12.1	12.0	11.7	11.6	10.7	10.4	8.9	8.8	250
255		11.3	11.4	11.0	10.8	10.1	9.6	8.2	8.2	255
260			10.7	10.3	10.0	9.6	9.0	7.5	7.5	260
270			9.3	9.1	8.6	8.3	7.8	6.3	6.2	270
275			8.6	8.6	8.0	7.5	7.3	5.8	5.6	275
280				8.0	7.4	6.8	6.8	5.3	5.1	280
290				6.8	6.3	5.5	5.6	4.3	4.1	290
295				6.2	5.4	4.8	5.0	4.0	3.7	295
300					4.4	4.3	4.5	3.6	3.3	300
310					2.6	3.3	3.5	2.9	2.7	310
320						2.5	2.6	2.2	2.3	320

Above lift chart is for reference only. For actual lift duty please refer to lift chart in operator's cab or manual.

Lift chart – tower crane (No. 1916.xx)

Main boom angle 88°

Main boom 84 ft

Radius (ft)	Jib length in (ft)							
	66	95	135	174	203	233	272	312
27	195.2							
35	186.9	149.5						
45	166.0	133.4	95.4					
50	152.6	124.1	91.7	68.2				
60	121.1	110.8	84.0	64.3	52.2			
65	112.9	104.4	80.2	62.4	50.9	39.0		
75	33.4	92.5	74.0	59.5	48.7	37.5	24.0	
80		86.6	70.5	57.8	47.6	36.7	23.7	15.1
100		56.5	55.8	52.4	44.0	33.8	22.1	14.2
140			37.1	39.9	39.0	28.7	19.6	12.2
180				26.7	31.2	25.5	17.2	10.6
205					22.5	23.8	15.9	9.8
235						16.5	14.6	8.7
275							10.4	7.4
290								6.8
310								5.9

Main boom 123 ft

Radius (ft)	Jib length in (ft)							
	66	95	135	174	203	233	272	312
28.3	163.6							
35	163.6	131.6						
45	157.7	125.7	88.8					
55	141.7	115.0	83.1	61.6				
60	124.8	110.9	80.5	60.2	48.5			
65	115.7	104.6	77.9	58.9	47.7	36.1		
75	81.4	93.2	72.2	56.2	46.0	35.0	24.0	
80		88.2	69.8	55.0	45.0	34.6	23.9	16.0
100		59.3	56.3	50.5	41.7	31.6	22.3	13.2
140			37.9	40.3	37.1	27.7	19.3	11.6
180				27.1	31.2	24.9	16.9	10.3
205					23.8	23.4	15.6	9.5
235						17.3	14.2	8.5
275							11.1	7.3
290								6.8
310								6.1

Main boom 142 ft

Radius (ft)	Jib length in (ft)							
	66	95	135	174	203	233	272	312
29	163.6							
40	157.8	125.2						
45	149.2	121.1	85.0					
55	134.7	111.8	80.5	59.3				
60	126.3	108.0	78.0	58.1	45.9			
65	115.8	102.9	75.9	57.0	45.6	34.7		
75	83.9	92.4	70.7	54.4	44.2	33.9	23.3	
85		83.0	63.3	51.8	42.8	31.8	22.9	13.8
100		66.9	56.5	48.6	40.5	30.6	21.8	13.2
140			38.1	39.5	34.9	27.0	18.9	11.5
180				27.7	28.9	24.2	16.5	10.1
205					23.4	22.5	15.3	9.3
235						17.5	14.0	8.4
275							11.2	7.2
290								6.7
310								6.1

Main boom 161 ft

Radius (ft)	Jib length in (ft)							
	66	95	135	174	203	233	272	312
29.6	131.6							
55	123.1	102.2	75.9	54.4				
60	118.0	96.4	73.5	53.5	42.2			
75	85.4	85.1	67.3	50.7	40.6	30.6	22.0	
85		77.6	62.1	48.3	39.1	29.8	21.7	13.1
100		61.0	55.8	45.0	36.9	28.8	20.7	12.7
140			39.2	36.7	30.8	25.5	18.2	11.1
180				27.6	26.1	22.2	16.0	9.6
190					24.5	21.4	15.6	9.3
205					21.3	20.3	14.9	8.9
220						18.7	14.2	8.5
235						16.8	13.6	8.1
250							12.8	7.6
275							11.2	7.0
290								6.6
310								6.0

Main boom 181 ft

Radius (ft)	Jib length in (ft)							
	66	95	135	174	203	233	272	312
30.3	129.2							
40	126.6	99.1						
45	120.0	97.6	71.9					
55	108.1	90.2	69.4	50.6				
60	103.2	86.8	67.1	49.8	39.6			
70	93.5	79.4	62.8	47.8	38.6	29.8		
75	84.8	76.3	60.8	46.9	38.1	29.2	21.0	
85		69.8	57.1	44.8	36.6	28.2	20.8	12.8
105		33.2	49.7	40.6	33.8	26.5	19.6	12.2
140			38.5	33.5	28.7	23.6	17.5	10.8
180				27.1	23.9	20.7	15.5	9.3
205					21.6	18.8	14.4	8.6
235						16.6	13.2	7.8
275							11.2	6.8
290								6.4
310								5.8

Main boom 199 ft

Radius (ft)	Jib length in (ft)							
	66	95	115	135	164	174	184	
31	99.2							
40	99.2	85.3						
45	97.5	82.6	72.0					
50	95.2	79.7	70.1	60.7				
55	91.3	76.6	67.7	59.2	48.4	44.5		
60	88.0	73.8	65.3	57.4	47.4	44.0	41.2	
70	80.1	67.9	61.1	54.2	45.3	42.2	39.8	
75	77.6	63.3	59.0	52.5	44.4	41.3	38.9	
105		31.9	47.2	43.7	37.9	35.9	34.2	
125			32.4	38.1	33.8	31.7	30.4	
140				34.9	30.5	29.5	28.5	
150					29.1	27.9	26.9	
170					26.4	25.3	24.4	
175						24.8	23.9	
180						24.2	23.4	
190							22.4	

Capacities in 1000 lbs with luffing jib (No. 1916.xx) 188,500 lbs counterweight + 79,400 lbs carbody counterweight. Above lift chart is for reference only. For actual lift duty and complete chart with all available configurations please refer to lift chart in operator's cab or manual.

Lift chart - luffing jib (No. 1916.xx)

Main boom angle 83°

Main boom 84 ft

Radius (ft)	Jib length in (ft)							
	66	95	135	174	203	233	272	312
	lbs	lbs	lbs	lbs	lbs	lbs	lbs	lbs
40	190.7							
50	157.6	138.4						
65	112.7	112.2	86.1					
75	94.3	94.0	78.9	61.8				
80	84.9	86.8	75.4	60.1				
85		80.6	72.8	58.7	48.3			
90		75.2	68.4	57.1	47.2	36.0		
105		60.5	57.6	53.3	44.5	34.2	22.5	
110		33.4	54.6	51.8	43.7	33.6	22.2	
115			51.8	50.5	43.0	31.6	21.8	14.2
145			38.5	40.5	39.3	28.8	19.9	12.7
185				28.3	29.0	25.9	17.5	11.0
215					22.7	22.8	16.0	10.0
240						17.9	14.9	9.0
280							11.4	7.6
320								6.1

Main boom 123 ft

Radius (ft)	Jib length in (ft)							
	66	95	135	174	203	233	272	312
	lbs	lbs	lbs	lbs	lbs	lbs	lbs	lbs
44.7	163.6							
55	137.3	127.5						
65	111.1	110.5	82.9					
80	85.9	85.5	75.8	58.0				
85	79.7	79.4	73.0	56.6	45.3			
95		69.3	67.0	54.1	44.3	33.6		
110		57.9	56.9	50.9	42.1	31.3	22.0	
120			51.4	48.7	40.8	30.3	21.4	13.1
150			38.9	38.1	37.4	27.6	19.4	11.9
190				28.0	27.4	25.0	17.0	10.4
215					23.0	22.3	15.8	9.6
245						18.2	14.5	8.6
260							13.6	8.2
285							11.8	7.5
300								7.0
320								6.3

Main boom 142 ft

Radius (ft)	Jib length in (ft)							
	66	95	135	174	203	233	272	312
	lbs	lbs	lbs	lbs	lbs	lbs	lbs	lbs
47.1	163.5							
60	121.8	119.9						
70	100.4	99.8	79.7					
80	85.2	84.7	75.3	56.0				
85	79.0	78.6	72.5	55.4				
90		73.3	70.4	54.2	43.7			
100		64.5	62.1	51.9	42.6	31.5		
110		57.3	56.6	49.9	41.2	30.7	21.2	
115		54.3	53.6	48.9	40.5	30.2	21.2	
120			50.9	47.9	39.9	29.7	21.0	13.9
155			32.0	36.1	35.4	26.7	18.8	11.5
190				27.6	27.0	24.6	16.8	10.2
220					22.0	21.2	15.4	9.3
250						17.4	14.2	8.4
285							12.0	7.5
325								6.3

Main boom 161 ft

Radius (ft)	Jib length in (ft)							
	66	95	135	174	203	233	272	312
	lbs	lbs	lbs	lbs	lbs	lbs	lbs	lbs
49.3	131.6							
60	120.6	112.0						
70	99.5	98.7	75.1					
85	78.3	77.8	70.2	52.6				
90	72.9	72.6	68.1	51.6	41.1			
100		63.8	62.7	49.7	40.3	30.0		
110		56.8	56.0	47.7	39.1	29.3	20.8	
120		33.4	50.3	45.7	37.9	28.6	20.3	
125			47.8	44.7	37.4	28.1	20.0	12.1
150			38.0	37.2	34.7	26.2	18.5	11.4
195				26.3	25.7	23.4	16.1	9.8
225					20.9	20.2	14.8	8.9
250						17.1	13.8	8.2
290							11.8	7.2
310								6.7
325								6.2

Main boom 181 ft

Radius (ft)	Jib length in (ft)							
	66	95	135	174	203	233	272	312
	lbs	lbs	lbs	lbs	lbs	lbs	lbs	lbs
51.7	128.1							
65	107.8	97.8						
75	90.3	89.6	70.1					
85	77.4	76.9	67.0	49.3				
95	33.1	67.1	62.7	47.9	38.8			
105		59.4	58.5	46.0	37.9	28.5		
115		53.1	52.3	44.3	36.8	27.8	19.6	
120		50.3	49.6	43.4	36.2	27.4	19.5	
130			44.9	41.3	35.2	26.6	19.0	11.7
160			34.6	33.7	31.3	24.5	17.4	10.7
200				25.0	24.4	21.9	15.5	9.4
225					20.6	19.8	14.5	8.7
255						16.3	13.3	7.8
295							11.7	6.9
310								6.5
330								5.9

Main boom 199 ft

Radius (ft)	Jib length in (ft)						
	66	95	115	135	164	174	184
	lbs	lbs	lbs	lbs	lbs	lbs	lbs
54	99.2						
65	97.7	83.7					
70	94.1	81.5	71.1				
75	89.3	78.6	69.9	60.1			
85	76.5	73.1	64.5	58.0	47.6		
90	71.3	70.4	63.6	56.5	47.1	43.7	40.7
95	66.7	65.3	61.5	55.1	46.2	43.0	40.4
100		62.2	59.7	53.9	45.3	42.3	39.8
120		49.7	49.4	48.4	41.4	39.2	37.0
130			44.7	44.3	39.3	37.2	35.5
140			40.7	40.4	37.6	35.5	33.9
150				37.0	35.5	34.0	32.1
160				34.0	33.5	31.2	30.7
190					26.7	26.5	26.3
200						24.6	24.5
205							23.6

Capacities in 1000 lbs with luffing jib (No. 1916.xx) 188,500 lbs counterweight + 79,400 lbs carbody counterweight. Above lift chart is for reference only. For actual lift duty and complete chart with all available configurations please refer to lift chart in operator's cab or manual.

Lift chart – luffing jib (No. 1916.xx)

Main boom angle 75°

Main boom 84 ft

Radius (ft)	Jib length in (ft)							
	66	95	135	174	203	233	272	312
65	108.0							
75	90.5	89.8						
90	72.3	71.8	70.8					
95	33.4	67.2	66.2					
110		56.2	55.3	54.3				
120		50.4	49.7	48.7	43.1			
135			43.0	42.0	41.2	30.3		
150			37.6	36.7	36.0	28.9	19.8	
160			34.6	33.8	33.1	28.2	19.4	
165				32.5	31.8	27.8	19.1	12.7
200				25.1	24.5	23.6	17.2	10.7
225					20.6	19.9	16.0	9.9
255						16.3	14.8	8.8
295							11.8	7.6
310								7.1
330								6.4

Main boom 123 ft

Radius (ft)	Jib length in (ft)							
	66	95	135	174	203	233	272	312
75	86.8							
85	74.5	73.6						
100	60.9	60.4	59.3					
120		48.3	47.3	46.2				
130		43.7	42.9	41.7	40.3			
145			37.4	36.3	35.5	28.5		
160			33.0	32.0	31.3	27.5	18.5	
170			30.5	29.6	28.8	26.9	18.2	
175				28.5	27.7	26.5	18.0	11.9
205				22.9	22.2	21.3	16.7	10.5
235					18.1	17.3	15.5	9.5
265						14.2	13.2	8.5
280							11.9	8.1
305							10.0	7.4
320								7.0
340								6.4

Main boom 142 ft

Radius (ft)	Jib length in (ft)							
	66	95	135	174	203	233	272	
80	78.2							
90	67.7	66.8						
105	55.9	55.3	54.2					
125		44.7	43.6	42.4				
135		40.6	39.6	38.5	37.7			
150			34.7	33.6	32.9	28.1		
165			30.8	29.7	28.9	27.1	17.9	
175			28.4	27.5	26.7	25.7	17.7	
180				26.5	25.7	24.7	17.5	11.6
210				21.3	20.7	19.7	16.3	10.2
240					16.9	16.0	14.9	9.3
270						13.1	12.1	8.4
290							10.5	7.8
305							9.4	7.5
320								7.1
345								6.0

Main boom 161 ft

Radius (ft)	Jib length in (ft)							
	66	95	135	174	203	233	272	
85	70.6							
95	61.7	60.7						
110	51.4	50.8	49.6					
130		41.3	40.3	39.0				
140		37.6	36.7	35.5	34.6			
155			32.3	31.1	30.3	26.8		
170			28.6	27.6	26.8	25.7	17.1	
180			26.5	25.5	24.7	23.7	16.9	
185				24.6	23.8	22.8	16.7	11.0
210				20.5	19.3	18.9	15.9	9.9
215				19.8	18.5	18.2	15.7	9.7
245					15.6	14.8	13.6	8.9
275						12.0	11.0	8.1
310							8.5	7.3
330								6.3
350								5.3

Main boom 181 ft

Radius (ft)	Jib length in (ft)							
	66	95	135	174	203	233	272	312
85	66.4							
100	56.1	55.1						
115	47.1	46.4	45.2					
135		38.0	36.9	35.7				
145		34.7	33.7	32.6	31.7			
160			29.8	28.6	27.8	25.4		
175			26.5	25.4	24.6	23.5	16.3	
185			24.5	23.5	22.7	21.7	16.2	
190				22.6	21.9	20.8	16.1	10.5
220				18.3	17.6	16.6	15.0	9.4
250					14.3	13.5	12.1	8.7
280						10.9	9.9	7.9
300							8.5	6.8
315							7.6	6.0
330								5.3
355								4.3

Main boom 199 ft

Radius (ft)	Jib length in (ft)						
	66	95	115	135	164	174	184
89.9	61.8						
105	51.1	50.1					
115	45.6	44.8	44.1				
120	43.2	42.5	41.8	41.2			
135		36.7	36.1	35.5	34.6		
140		35.0	34.4	33.9	33.1	32.7	32.3
150		32.1	31.6	31.1	30.3	29.8	29.6
170			26.8	26.4	25.6	25.2	23.3
180				24.4	23.7	23.3	22.4
190				22.7	22.0	21.6	20.8
200					20.5	20.1	19.3
215					18.4	18.1	17.4
220						17.4	16.6
225						16.8	15.9
230							15.2
235							14.5

Capacities in 1000 lbs with luffing jib (No. 1916.xx) 188,500 lbs counterweight + 79,400 lbs carbody counterweight. Above lift chart is for reference only. For actual lift duty and complete chart with all available configurations please refer to lift chart in operator's cab or manual.

Lift chart - luffing jib (No. 1916.xx)

Main boom angle 65°

Main boom 84 ft

Radius (ft)	Jib length in (ft)							
	66	95	135	174	203	233	272	312
	lbs	lbs	lbs	lbs	lbs	lbs	lbs	lbs
84	74.6							
105	56.7	56.1						
125		45.3	44.3					
135		33.4	40.2					
150			35.2	34.1				
165			31.2	30.2	29.4			
170			30.0	29.0	28.3			
180				26.9	26.1	25.1		
205				22.5	21.8	20.8	16.9	
210				21.7	21.0	20.1	16.9	
225					19.0	18.1	16.2	10.3
240					17.2	16.3	15.3	9.6
265						13.8	12.8	8.8
305							9.7	7.6
320								7.3
340								6.6

Main boom 123 ft

Radius (ft)	Jib length in (ft)							
	66	105	135	174	203	233	272	312
	lbs	lbs	lbs	lbs	lbs	lbs	lbs	lbs
99.8	55.9							
120	44.5							
125		41.4						
140		35.9	34.9					
160		30.3	29.5					
165			28.3	27.1				
180			25.2	24.1	23.2			
190			23.4	22.4	21.6			
200				20.8	20.0	19.0		
220				18.1	17.4	16.3	15.1	
225				17.5	16.8	15.8	14.6	
245					14.6	13.7	12.5	9.2
255					13.7	12.8	11.6	8.9
285						10.4	9.3	8.1
320							7.1	6.0
360								4.0

Main boom 142 ft

Radius (ft)	Jib length in (ft)							
	66	95	135	174	203	233	272	312
	lbs	lbs	lbs	lbs	lbs	lbs	lbs	lbs
108.1	48.1							
130	38.2	37.5						
145		32.7						
150		31.3	30.1					
160		28.8	27.7					
175			24.6	23.4				
185			22.8	21.6				
200			20.4	19.3	18.5			
205				18.7	17.8	16.7		
230				15.7	14.9	13.9	12.6	
235				15.1	14.4	13.4	12.1	
250					13.0	12.0	10.8	8.8
265					11.7	10.8	9.6	7.7
295						8.6	7.5	5.9
330							5.6	4.2
370								2.7

Main boom 161 ft

Radius (ft)	Jib length in (ft)							
	66	95	135	174	203	233	272	312
	lbs	lbs	lbs	lbs	lbs	lbs	lbs	lbs
116	41.8							
135	34.6	33.7						
140	33.1	32.2						
160		27.1	25.9					
170		25.0	23.9					
180			22.1	20.8				
200			19.1	17.9	17.0			
205			18.4	17.3	16.4			
215				16.1	15.2	14.1		
235				13.9	13.2	12.1	10.2	
245				13.0	12.3	11.2	9.4	
260					11.0	10.0	8.4	6.4
270					10.3	9.3	7.7	5.7
300						7.4	6.0	4.1
340							4.2	2.4
350								2.1

Main boom 181 ft

Radius (ft)	Jib length in (ft)							
	66	95	135	174	203	233	272	312
	lbs	lbs	lbs	lbs	lbs	lbs	lbs	lbs
124.4	35.9							
145	29.6	28.6						
165		24.2	22.8					
175		22.3	21.1					
190			18.8	17.5				
205			16.8	15.6	14.7			
215			15.6	14.5	13.6			
225				13.5	12.6	11.0		
245				11.7	10.9	9.5	7.4	
250				11.2	10.5	9.1	7.1	
270					9.0	7.9	5.8	3.8
280					8.4	7.3	5.3	3.3
305						6.0	4.1	2.2
310						5.7	3.9	
330							3.2	
345							2.7	

Main boom 199 ft

Radius (ft)	Jib length in (ft)						
	66	95	115	135	164	174	184
	lbs	lbs	lbs	lbs	lbs	lbs	lbs
132.3	30.9						
150	26.3	25.2					
155	25.2	24.2					
165		22.3	21.6				
175		20.6	19.9	19.3			
180		19.8	19.1	18.5			
190			17.7	17.1	16.2		
195			17.0	16.5	15.6	15.1	
200			16.4	15.9	15.0	14.6	14.1
210				14.8	13.9	13.5	13.1
220				13.7	12.9	12.5	12.2
230					12.0	11.6	11.3
250					10.4	10.0	9.7
260						9.2	9.0
265							8.7
270							8.3

Capacities in 1000 lbs with luffing jib (No. 1916.xx) 188,500 lbs counterweight + 79,400 lbs carbody counterweight. Above lift chart is for reference only. For actual lift duty and complete chart with all available configurations please refer to lift chart in operator's cab or manual.

Lift chart – luffing jib (No. 1916.xx)

Main boom angle 45°

Main boom 84 ft

Radius (ft)	Jib length in (ft)							
	66	95	135	174	203	233	272	312
122.9	42.1							
130	39.2							
149		32.4						
160		29.5						
180			24.3					
200			21.0					
215				18.0				
235				15.6				
240					14.4			
260					12.6	11.6		
265					12.2	11.2		
295						9.1	8.0	
325							6.2	5.0
330							6.0	4.9
350								3.9
370								3.1

Main boom 123 ft

Radius (ft)	Jib length in (ft)							
	66	95	135	174	203	233	272	
150.1	27.8							
160	25.5							
175		21.8						
185		20.2						
210			15.8					
225			14.2					
240				11.6				
260				10.1				
265					8.9			
285					7.7			
290					7.4	6.3		
300						5.8		
320						4.8	3.5	
330							3.2	
340							2.8	
355							2.2	

Main boom 142 ft

Radius (ft)	Jib length in (ft)						
	66	95	135	174	203	233	
164	22.0						
170	21.0						
190		17.1					
200		15.8					
225			12.1				
235			11.2				
255				8.5			
265				7.9			
275				7.3			
280					6.2		
290					5.7		
300					5.2		
305					4.9	3.9	
315						3.4	
325						3.0	
330						2.8	

Main boom 161 ft

Radius (ft)	Jib length in (ft)					
	66	95	135	174	203	
177.2	17.3					
180	17.0					
185	16.3					
205		13.1				
210		12.6				
215		12.1				
235			9.2			
240			8.9			
245			8.6			
250			8.2			
270				5.8		
280				5.3		
290				4.8		
295					3.7	
300					3.5	
315					2.9	

Main boom 181 ft

Radius (ft)	Jib length in (ft)				
	66	95	135	174	
191.1	12.9				
195	12.5				
200	12.0				
220		9.3			
225		8.9			
250			6.1		
260			5.5		
265			5.2		
280				3.0	
290				2.7	
300				2.4	
305				2.2	

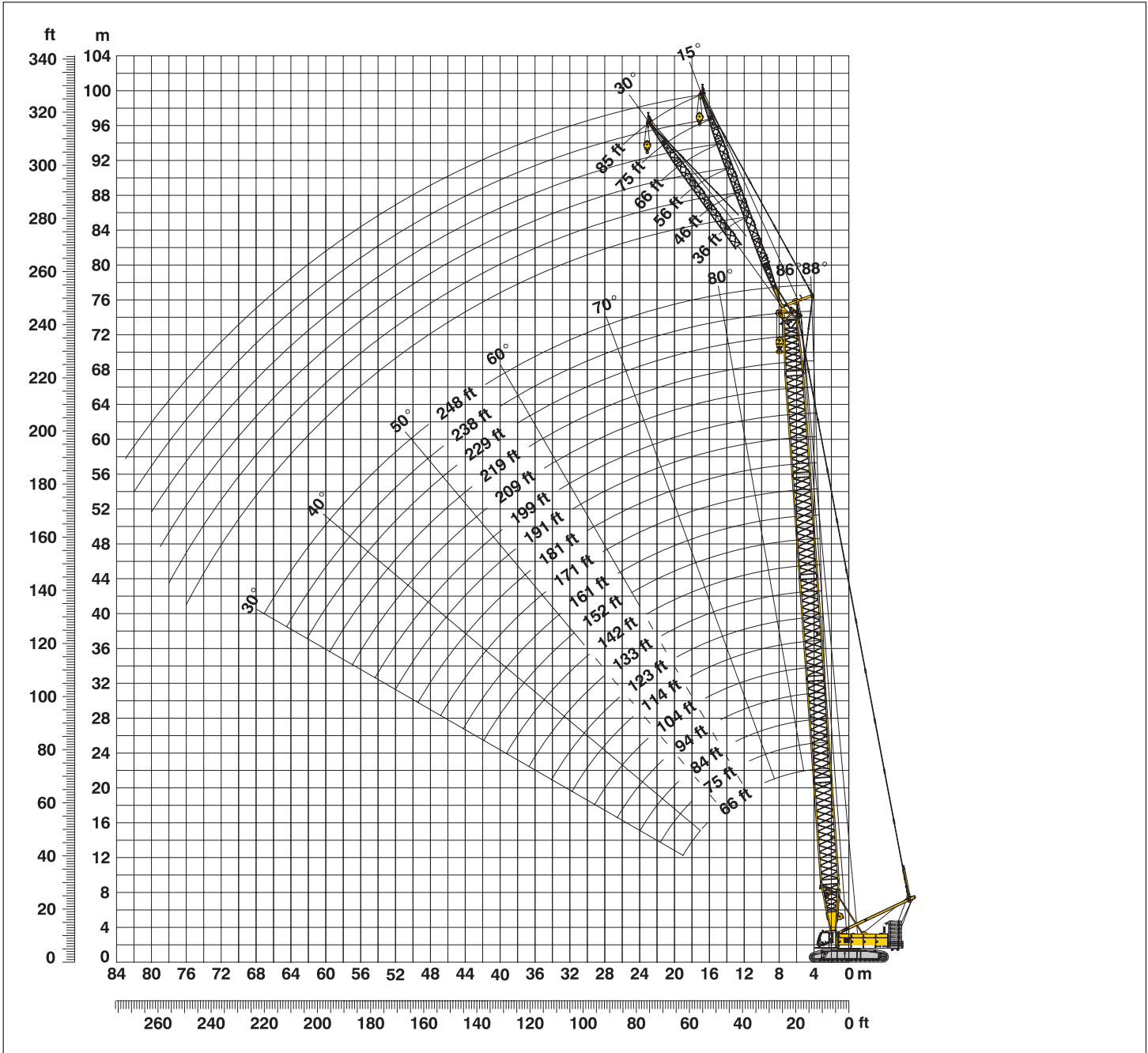
Main boom 199 ft

Radius (ft)	Jib length in (ft)			
	66	95	115	135
204.4	9.1			
205	9.1			
210	8.7			
230		6.3		
235		6.1		
240		5.8		
245			4.7	
250			4.5	
260			4.1	
265				3.0
270				2.9
275				2.7

Capacities in 1000 lbs with luffing jib (No. 1916.xx) 188,500 lbs counterweight + 79,400 lbs carbody counterweight. Above lift chart is for reference only. For actual lift duty and complete chart with all available configurations please refer to lift chart in operator's cab or manual.

Working range - fixed jib (No. 1008.xx) 15° and 30°

Main boom 88°- 30°



Boom configuration for boom lengths (66 ft - 248 ft) – see table 1 on page 10

Fixed jib configuration for fixed jib lengths (36 ft - 85 ft)

	Length	Amount of fixed jib extensions					
Fixed jib foot	18 ft	1	1	1	1	1	1
Fixed jib insert	10 ft*		1		1		1
Fixed jib insert	20 ft*			1	1	2	2
Fixed jib head	18 ft	1	1	1	1	1	1
Fixed jib length (ft)		36	46	56	66	75	85

*Actual lengths of boom sections are metric (e.g. 3 m, 6 m). The figures shown above are approximate conversions to feet.

Lift chart - fixed jib (No. 1008.xx)

Offset 15°

Main boom 66 ft

Radius (ft)	Fixed jib length in (ft)			
	36	46	66	85
19.1	81.2			
25	81.2	81.0		
35	81.2	80.9	75.6	
40	81.2	80.9	69.1	51.3
60	78.7	67.1	51.2	41.6
70	72.5	59.4	45.1	36.7
80	64.7	53.5	39.9	33.4
90	59.9	48.1	36.1	30.6
95	56.9	46.0	34.3	29.2
105		42.1	31.8	26.9
125			28.3	22.7
145				19.9

Main boom 94 ft

Radius (ft)	Fixed jib length in (ft)			
	36	46	66	85
20.1	80.9			
25	81.0	81.0		
35	81.1	81.0	75.8	
40	81.1	81.0	71.4	51.2
60	80.9	73.8	56.3	43.5
80	76.7	60.2	44.9	35.5
100	59.6	51.4	37.4	30.9
110	52.1	47.6	34.5	28.5
120	45.9	44.5	32.0	26.7
130		41.5	31.4	24.8
150			28.0	21.8
170				19.7

Main boom 123 ft

Radius (ft)	Fixed jib length in (ft)			
	36	46	66	85
21.1	80.8			
25	81.0	81.2		
35	80.9	81.2	75.5	
45	80.9	81.1	68.8	49.1
60	81.0	77.7	59.1	45.0
80	78.8	67.5	48.4	38.1
100	58.6	58.2	40.9	33.4
120	45.0	45.7	35.6	29.0
145	33.5	34.2	31.6	24.9
155		30.8	30.6	23.5
175			26.2	21.3
195				19.6

Main boom 152 ft

Radius (ft)	Fixed jib length in (ft)			
	36	46	66	85
22.2	81.2			
30	81.1	81.0		
35	81.0	81.0	74.3	
45	81.0	81.2	69.8	48.7
60	81.0	81.1	61.8	45.3
80	78.5	72.2	52.0	39.8
100	57.1	58.0	44.6	34.2
140	34.1	34.8	34.6	27.7
170	24.3	25.0	26.1	23.7
180		22.4	23.6	22.7
200			19.1	20.1
220				16.4

Main boom 181 ft

Radius (ft)	Fixed jib length in (ft)			
	36	46	66	85
23.1	81.0			
30	80.9	80.9		
35	81.0	81.1	72.0	
45	81.2	81.2	69.7	47.9
60	81.2	81.2	63.5	45.1
80	77.4	75.4	55.1	40.7
120	42.3	43.1	41.7	33.4
160	26.0	26.7	27.9	26.9
200	16.3	16.9	18.0	18.9
205		15.9	17.0	18.0
225			13.6	14.5
245				11.5

Main boom 199 ft

Radius (ft)	Fixed jib length in (ft)			
	36	46	66	85
23.8	81.2			
30	80.9	81.1		
40	80.9	81.0	67.2	
45	81.0	81.0	67.3	46.9
60	81.1	81.1	63.5	44.5
100	55.2	56.1	48.9	37.1
140	32.2	32.9	34.1	31.2
180	19.8	20.4	21.6	22.6
215	12.9	13.4	14.5	15.4
225		11.8	12.8	13.7
245			9.9	10.8
265				8.3

Main boom 219 ft

Radius (ft)	Fixed jib length in (ft)			
	36	46	66	85
24.5	81.2			
30	81.0	75.9		
40	80.9	77.4	59.4	
45	81.0	77.4	60.0	46.1
80	75.8	77.0	56.4	41.1
120	40.5	41.4	42.9	33.8
160	24.2	24.9	26.1	27.2
200	14.6	15.1	16.2	17.2
230	9.6	10.1	11.1	12.0
240		8.7	9.7	10.6
260			7.1	8.0
280				5.7

Main boom 238 ft

Radius (ft)	Fixed jib length in (ft)			
	36	46	66	85
25.1	76.2			
30	76.0	69.6		
40	75.6	69.9	54.9	
45	75.9	69.9	54.9	44.4
80	73.8	70.2	54.3	40.7
120	39.7	40.5	42.1	34.7
160	23.4	24.0	25.3	26.5
200	13.7	14.3	15.4	16.4
245	6.7	7.2	8.2	9.1
255		5.9	6.9	7.8
275			4.6	5.5
295				3.4

Main boom 248 ft

Radius (ft)	Fixed jib length in (ft)			
	36	46	56	
25.5	73.3			
30	73.0	66.7		
35	72.4	66.7	57.3	
40	72.3	66.9	57.5	
80	72.1	62.6	57.6	
120	39.2	40.1	41.0	
160	22.9	23.5	24.3	
200	13.2	13.8	14.4	
240	6.8	7.3	7.9	
255	4.9	5.4	6.0	
265		4.3	4.8	
275			3.7	

Capacities in 1000 lbs with fixed jib (No. 1008.xx) 188,500 lbs counterweight + 79,400 lbs carbody counterweight. Above lift chart is for reference only. For actual lift duty and complete chart with all available configurations please refer to lift chart in operator's cab or manual.

Lift chart - fixed jib (No. 1008.xx)

Offset 30°

Main boom 66 ft

Radius (ft)	Fixed jib length in (ft)			
	36	46	66	85
	lbs	lbs	lbs	lbs
27.8	81.2			
35	81.2	66.4		
50	66.5	55.6	41.2	
60	62.0	49.0	36.4	31.4
70	55.5	44.2	32.9	28.0
80	50.8	40.6	31.1	25.1
90	47.4	37.5	28.6	22.8
100	45.1	35.4	26.5	21.1
110		34.0	24.8	19.5
130			22.8	17.2
140				16.5
150				16.1

Main boom 94 ft

Radius (ft)	Fixed jib length in (ft)			
	36	46	66	85
	lbs	lbs	lbs	lbs
28.8	81.0			
35	81.1	67.2		
50	72.1	58.8	41.8	
60	64.9	53.1	37.8	29.2
80	56.8	44.6	32.3	26.1
90	53.0	41.4	30.9	24.2
100	49.7	39.0	28.8	22.4
110	47.4	36.9	27.1	21.0
120	45.7	35.4	25.6	19.7
130		34.4	24.4	18.7
150			23.0	17.0
170				16.2

Main boom 123 ft

Radius (ft)	Fixed jib length in (ft)			
	36	46	66	85
	lbs	lbs	lbs	lbs
29.8	81.1			
40	80.9	66.0		
50	75.5	60.8	42.4	
65	65.3	53.5	37.3	30.5
80	62.2	47.6	33.4	27.1
100	54.4	42.0	30.8	23.6
120	45.5	38.1	27.5	21.0
140	35.8	35.3	25.1	18.9
150	31.9	32.8	24.2	18.2
160		29.3	23.5	17.4
180			22.7	16.4
200				16.0

Main boom 152 ft

Radius (ft)	Fixed jib length in (ft)			
	36	46	66	85
	lbs	lbs	lbs	lbs
30.9	81.0			
40	80.8	66.3		
50	78.6	62.2	42.2	
65	70.1	55.4	38.0	30.8
80	64.0	50.1	34.4	27.6
100	58.0	44.9	31.6	24.6
120	44.2	40.7	29.2	21.9
140	34.5	35.4	26.7	20.0
175	23.1	23.8	23.7	17.6
185		21.3	22.7	17.1
205			18.3	16.4
225				15.7

Main boom 181 ft

Radius (ft)	Fixed jib length in (ft)			
	36	46	66	85
	lbs	lbs	lbs	lbs
31.9	81.0			
40	81.2	66.4		
55	77.8	61.0	41.2	
65	72.4	57.1	38.5	30.1
100	57.0	46.8	32.5	25.1
140	33.5	34.3	28.0	21.0
160	26.4	27.2	26.1	19.3
180	20.9	21.6	23.0	18.2
200	16.4	17.1	18.4	17.2
205		16.1	17.4	17.0
225			13.7	14.9
245				11.7

Main boom 199 ft

Radius (ft)	Fixed jib length in (ft)			
	36	46	66	85
	lbs	lbs	lbs	lbs
32.5	79.8			
40	79.9	64.7		
55	79.2	61.6	41.4	
65	73.8	58.1	38.9	27.8
100	56.3	48.0	33.1	25.5
140	32.8	33.6	28.9	21.4
180	20.1	20.9	22.3	18.6
200	15.8	16.4	17.7	17.6
215	13.0	13.6	14.9	16.0
225		11.9	13.1	14.3
245			10.0	11.2
265				8.4

Main boom 219 ft

Radius (ft)	Fixed jib length in (ft)			
	36	46	66	85
	lbs	lbs	lbs	lbs
33.2	74.3			
40	74.3	65.0		
55	75.2	60.5	41.6	
65	73.2	59.0	39.3	25.7
100	55.5	49.2	33.4	25.5
140	31.9	32.8	29.8	21.9
180	19.2	20.0	21.5	19.1
220	11.3	11.9	13.2	14.3
230	9.7	10.3	11.5	12.7
240		8.8	10.0	11.1
260			7.2	8.3
280				5.9

Main boom 238 ft

Radius (ft)	Fixed jib length in (ft)			
	36	46	66	85
	lbs	lbs	lbs	lbs
33.8	67.3			
40	67.4	59.9		
55	68.0	56.0	41.3	
65	68.5	56.2	39.5	28.5
100	54.8	50.5	33.6	24.8
140	31.1	32.1	30.4	22.3
180	18.4	19.2	20.8	19.6
220	10.5	11.1	12.4	13.6
245	6.8	7.4	8.6	9.7
255		6.1	7.2	8.3
275			4.8	5.8
295				3.6

Main boom 248 ft

Radius (ft)	Fixed jib length in (ft)			
	36	46	56	66
	lbs	lbs	lbs	lbs
34.2	64.8			
45	60.0	53.4		
50	60.1	53.5	49.8	
55	60.2	53.7	49.2	41.2
100	54.4	51.0	40.8	33.8
140	30.6	31.6	32.7	30.6
180	18.0	18.7	19.6	20.3
220	10.0	10.7	11.4	12.0
255	5.0	5.6	6.2	6.8
265		4.4	5.0	5.5
275			3.8	4.4
285				3.2

Capacities in 1000 lbs with fixed jib (No. 1008.xx) 188,500 lbs counterweight + 79,400 lbs carbody counterweight. Above lift chart is for reference only. For actual lift duty and complete chart with all available configurations please refer to lift chart in operator's cab or manual.

Notice

