

Crawler Crane

LR 1200
Litronic®

Complies with ANSI/ASME B 30.5

enUS

LR 1004.02

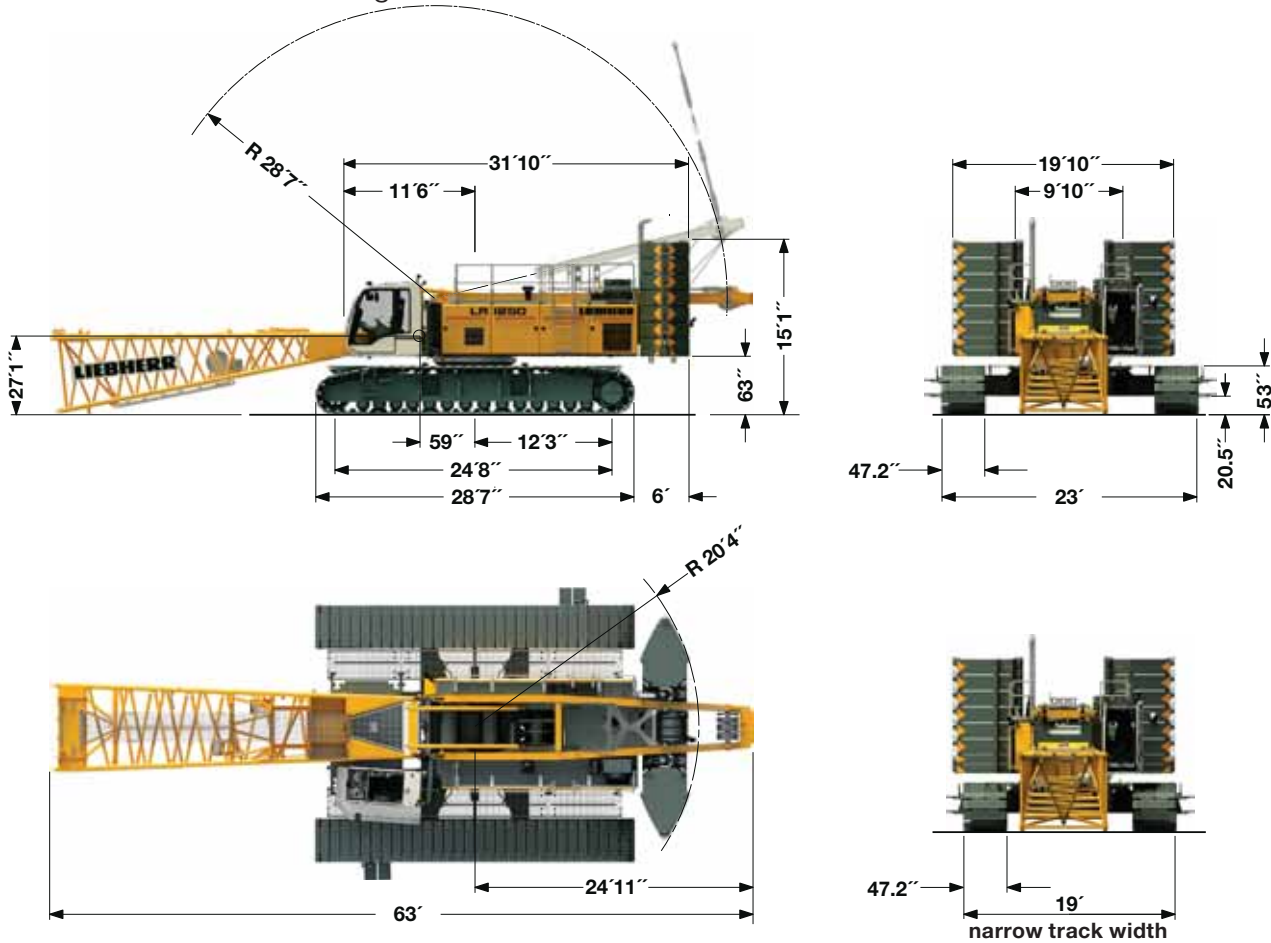
MAXIM
1-877-MAX-LIFT



LIEBHERR

Dimensions

Basic machine with undercarriage



Operating weight

The operating weight includes the basic machine with crawlers, 2 main winches 26,980 lbf including wire ropes (853 ft and 1624 ft) and 66 ft main boom, consisting of A-frame, boom foot (33 ft), boom head (23 ft) and boom extension (10 ft), 181,440 lbs basic counterweight, 79,400 lbs carbody counterweight and 551,200 lbs hook block.

Total weight ————— approx. 462,970 lbs

Ground pressure

The actual ground pressure is calculated according to the configuration and position of the machine and displayed in the operator's cab. Using the optional Liebherr Crane-Planner the actual ground pressure, amongst other parameters, can already be calculated and displayed in the planning stage.

Equipment

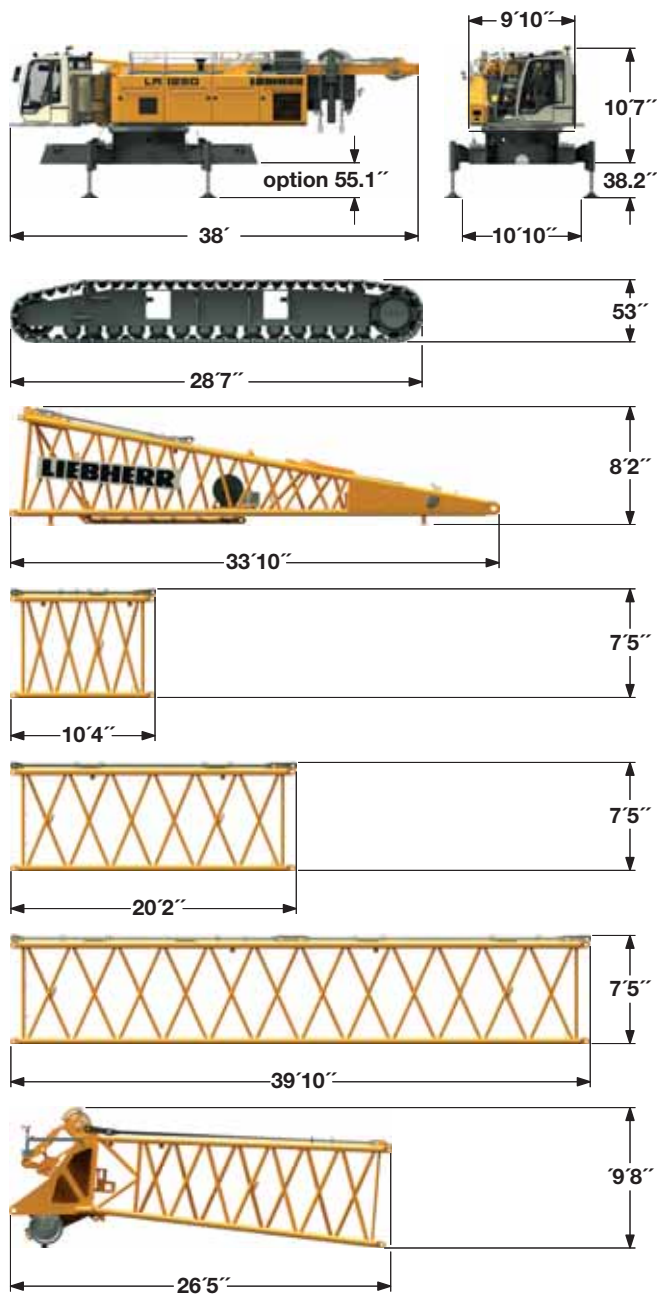
Main boom (No. 2320.xx) max. length	—————	292 ft
High reach (No. 2320.xx und 1916.xx)	—————	384 ft
Luffing jib (No. 1916.xx) max. length	—————	312 ft
Max. combination	—————	main boom 174 ft
		luffing jib 312 ft
Fixed jib (No. 1008.xx)	—————	36 – 85 ft
Auxiliary jib	53,000 lbs (option 79,400 lbs)	

Remarks

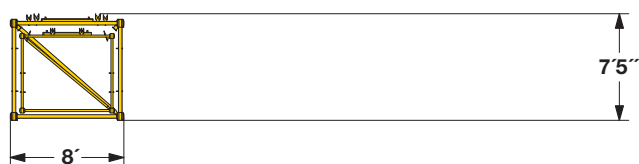
1. The lifting capacities stated are valid for lifting operation only (corresponding with crane classification according to F.E.M. 1.001. crane group A1).
2. Crane standing on firm, horizontal ground.
3. The weight of the lifting device (hoisting ropes, hook block, shackle etc.) must be deducted from the gross lifting capacity to obtain a net lifting value.
4. Additional equipment on boom (e.g. boom walkways, auxiliary jib) must be deducted to get the net lifting capacity.
5. For max. wind speed please refer to lift chart in operator's cab or manual.
6. Working radii are measured from center of swing and under load.
7. The lifting capacities are valid for 360 degrees of swing.
8. Calculation of stability under load is based on ANSI/ASME B 30.5 load ratings as well as ISO 4305 Table 2 and is tested according to SAE J765.
9. Loads for calculation of structures are corresponding to F.E.M. 1.001-1998 and are tested according to SAE J987.

Transport dimensions and weights

Basic machine and main boom (No. 2320.xx)



Transport option



Basic machine

with A-frame, 2x 26,980 lbf crane winches without boom foot, hoist ropes, basic counterweight and crawlers

Width	9'10"
Weight	93,700 lbs
Weight of hoist rope	2.28 lbs/ft

Crawler

2x

Track pads	47.2 inch
Width	47.2 inch
Weight	43,650 lbs

Boom foot (No. 2320.25)

Width	8'
Weight incl. winch and rope	12,350 lbs
Weight without winch	8,820 lbs

Boom section (No. 2320.23)

10 ft

Width	8'
Weight with HPT ¹⁾	1,830 lbs
Weight with HPT ¹⁾ and NDL ²⁾	2,030 lbs

Boom section (No. 2320.20)

20 ft

Width	8'
Weight with HPT ¹⁾	2,480 lbs
Weight with HPT ¹⁾ and NDL ²⁾	2,835 lbs

Boom section (No. 2320.20)

40 ft

Width	8'
Weight with HPT ¹⁾	4,475 lbs
Weight with HPT ¹⁾ and NDL ²⁾	5,250 lbs

Boom head (No. 2320.23)

Width	8'
Weight with HPT ¹⁾	9,480 lbs

1) Pendant straps for main boom • 2) Pendant straps for jib

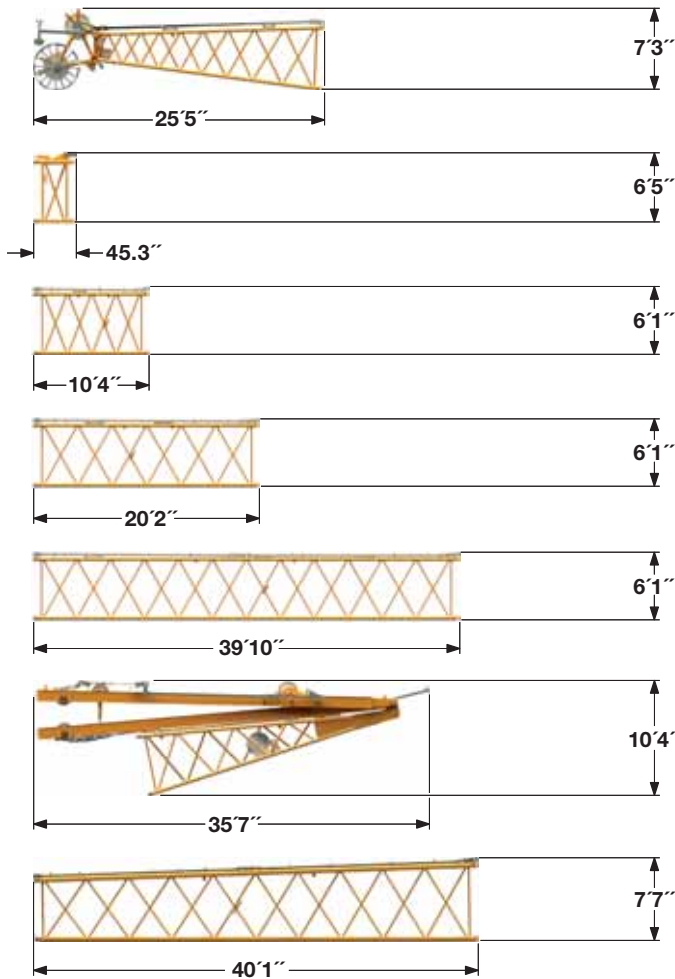
Boom transport option

(No. 2320.xx/1916.xx)	40/40	20/20	10/10	ft
Length	40'2"	20'6"	10'8"	
Weight*	7,960	4,355	3,250	lbs

*) Including pendant straps

Transport dimensions and weights

Luffing jib (No. 1916.xx)



Luffing jib head (No. 1916.21)

Width	6'7"
Weight*	3,420 lbs

L-boom jib section (No. 1916.22)

39.4 inch

Width	6'7"
Weight*	1,015 lbs

Luffing jib section (No. 1916.18)

10 ft

Width	6'7"
Weight*	1,050 lbs

Luffing jib section (No. 1916.18)

20 ft

Width	6'7"
Weight*	1,525 lbs

Luffing jib section (No. 1916.18)

40 ft

Width	6'7"
Weight*	2,755 lbs

Luffing jib foot with A-frames (No. 1916.22)

Width	6'7"
Weight*	13,890 lbs

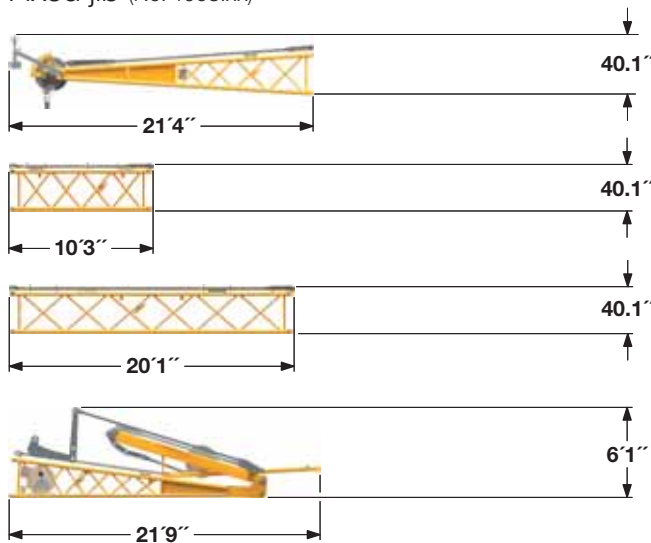
L-boom section tapered (No. 2320/1916.20)

40 ft

Width	8'
Weight*	3,750 lbs

*) Including pendant straps

Fixed jib (No. 1008.xx)



Fixed jib head (No. 1008.20)

Width	43 inch
Weight*	2,030 lbs

Fixed jib section (No. 1008.17)

10 ft

Width	43 inch
Weight*	660 lbs

Fixed jib section (No. 1008.17)

20 ft

Width	43 inch
Weight*	1,005 lbs

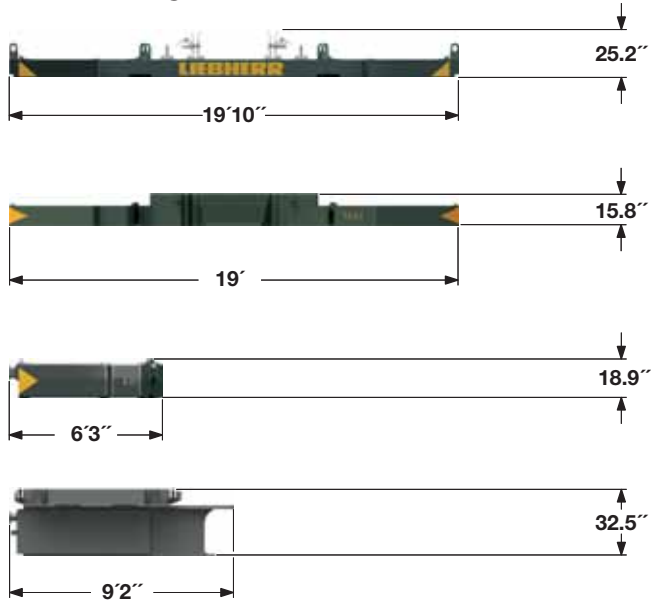
Fixed jib foot with A-frame (No. 1008.20)

Width	7'3"
Weight*	4,300 lbs

*) Including pendant straps

Transport dimensions and weights

Counterweight



Counterweight 1x

Width	5'5"
Weight	26,455 lbs

Counterweight 1x

Width	5'5"
Weight	22,046 lbs

Counterweight 12x

Width	4'6"
Weight	11,023 lbs

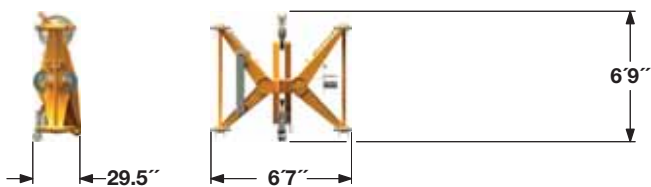
Carbody counterweight 2x

Width	11'
Weight	21,605 lbs

Carbody counterweight 2x

Width	11'
Weight	18,300 lbs

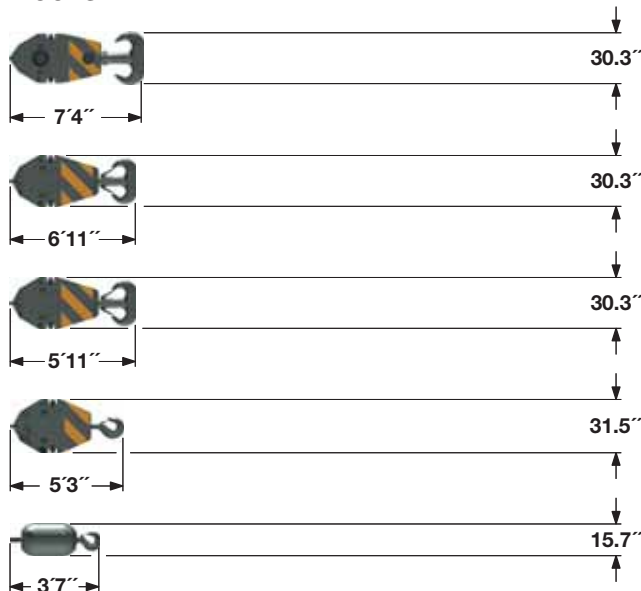
Mid fall (option)



Mid fall section (No. 1916.xx) 19.7 inch

Width	29.5 inch
Weight	1,580 lbs

Hooks



551,200 lbs hook block – 11 sheaves

Width	40.6 inch	49.2 inch
Weight	5,070 lbs	7,055 lbs

352,800 lbs hook block – 7 sheaves

Width	25.2 inch	29.9 inch	34.6 inch
Weight	3,307 lbs	4,960 lbs	6,614 lbs

220,500 lbs hook block – 5 sheaves

Width	21.3 inch	26.4 inch	30.3 inch
Weight	2,866 lbs	3,970 lbs	5,070 lbs

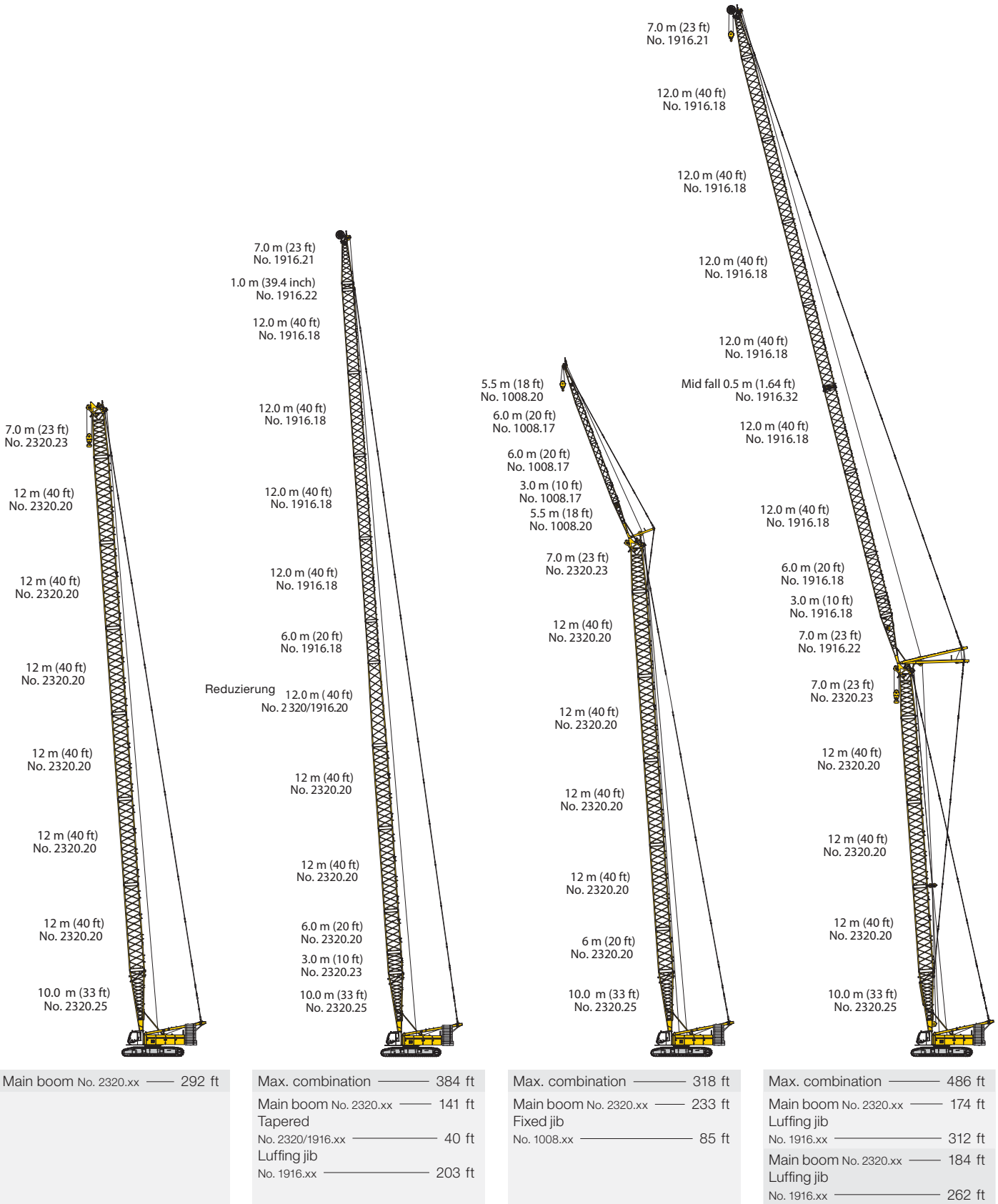
88,200 lbs hook block – 1 sheave

Width	11.8 inch	15.7 inch	19.7 inch
Weight	1,545 lbs	2,425 lbs	3,310 lbs

27,600 lbs single hook

Width	15.7 inch
Weight	1,325 lbs

Boom combinations



Technical description



Engine

Power rating according to ISO 9249, 230 kW (308 hp) at 1700 rpm
Engine type — Liebherr D 944 A7-04
Fuel tank — 209 gal capacity with continuous level indicator and reserve warning
Engine complies with NRMM exhaust certification EPA/CARB Tier 4f and 97/68 EC Stage IV.



Hydraulic system

A double axial displacement pump supplies the open loop hydraulic system, allowing all functions to be operated simultaneously. To minimize peak pressure an automatic working pressure cut-off is integrated in the pump. All filters are electronically monitored. The use of synthetic environmentally friendly (biodegradable) oils is possible.
Working pressure — max. 350 bar
Oil tank capacity — 650 l



Luffing jib winch

Line pull — max. 23,605 lbf
Rope diameter — 20 mm
Jib luffing — 51 sec. from 15° to 78°



Boom winch

Line pull — max. 48,784 lbf
Rope diameter — 24 mm
Boom up — 130 sec. from 15° to 86°



Crawlers

Propulsion through axial piston motor, hydraulically released spring loaded multi-disc brake, crawler tracks, hydraulic chain tensioning device.
Track pads — 47.2 inch
Drive speed — 0 – 1 mph



Swing

Consists of rollerbearing with external teeth, swing drive with fixed axial piston hydraulic motor, spring loaded and hydraulically released multi-disc holding brake, planetary gearbox and pinion.
Both swing modes are possible – speed control or free swing.
A multi-disc holding brake acts automatically at zero swing motion. Swing speed from 0 – 3 rpm continuously variable.



Main winches

Line pull (7th layer) — 26,980 lbf
Rope diameter — 26 mm
Drum diameter — 22.8 inch
Rope speed — 0 – 446 ft/min
Rope capacity in 7 layers — 1604 ft
The winches are outstanding in their compact design and easy assembly. Propulsion is via a planetary gearbox in an oil bath.
Load support by the hydraulic system; additional safety factor provided by a spring loaded, multi-disc holding brake. The main winches use pressure controlled, variable flow hydraulic motors. This system features sensors that automatically adjust oil flow to provide max. winch speed depending on load.

Option – winch with free-fall system:
Clutch and braking functions on the free-fall system are provided by a compact designed, low wear and maintenance-free multi-disc brake.



Control

The heart of the hydraulic crawler cranes is the Liebherr control system which has been developed and manufactured in-house. It includes all control and monitoring functions and is designed to withstand extreme environmental conditions and heavy duty construction tasks. Complete machine operating data as well as warning signals and irregularities are clearly displayed on the high resolution monitor in the operator's cab in the required language.
The electro-hydraulic proportional control allows several movements to be performed simultaneously. This ensures that all categories of loads can be positioned with utmost precision.

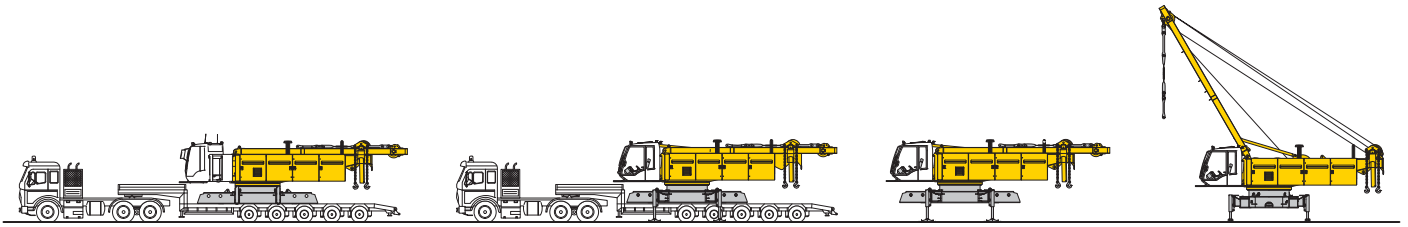
Option:
GSM/GPRS telematics module



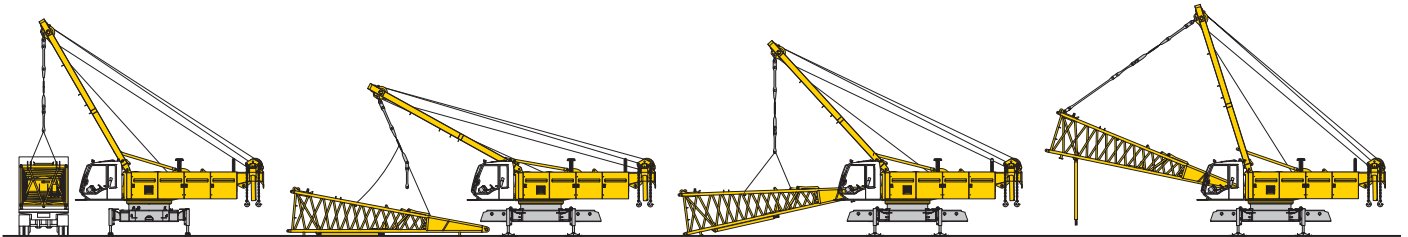
Noise emission

Noise emissions correspond with 2000/14/EC directive.
Guaranteed sound pressure level L_{PA} in the cabin — ≤ 72.9 dB(A)
Guaranteed sound power level L_{WA} — ≤ 107 dB(A)
Vibration transmitted to the hand-arm system of the machine operator — < 8.20 ft/s²
Vibration transmitted to the whole body of the machine operator — < 1.64 ft/s²

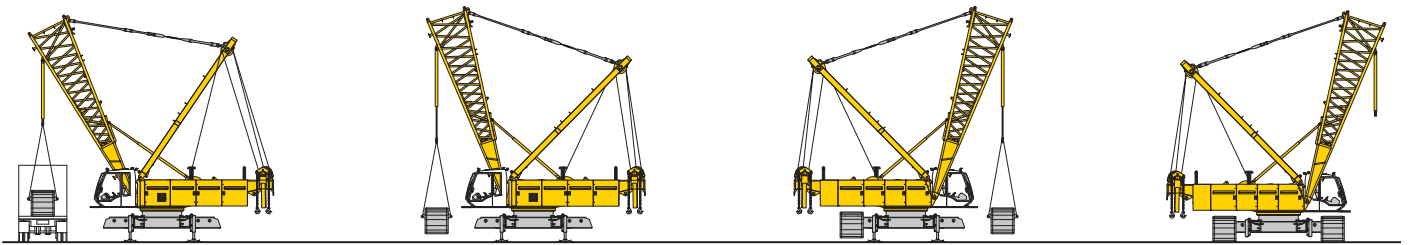
Self assembly system



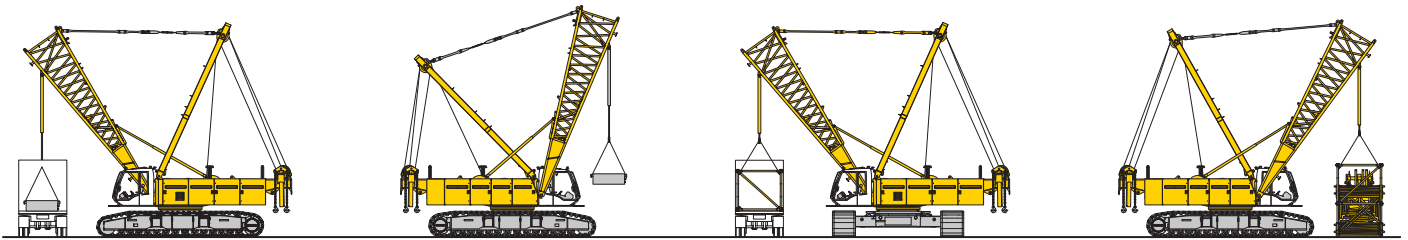
Unloading of basic machine



Unloading and assembly of boom foot

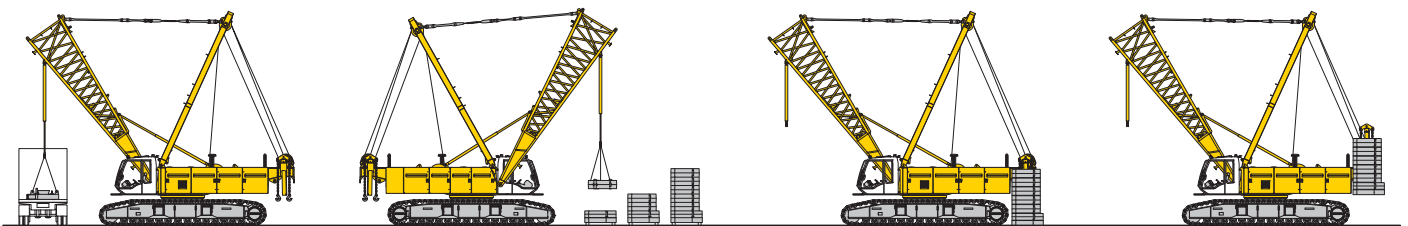


Unloading and assembly of crawlers



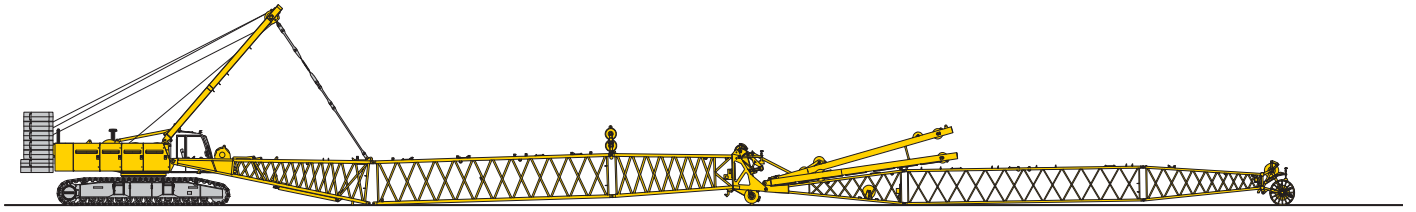
Unloading and assembly of carbody counterweight

Entladung und Zusammenbau des Auslegers

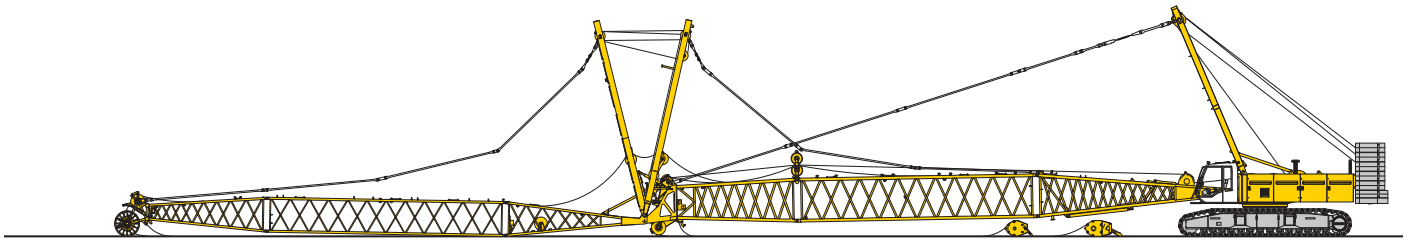


Unloading and assembly of counterweight

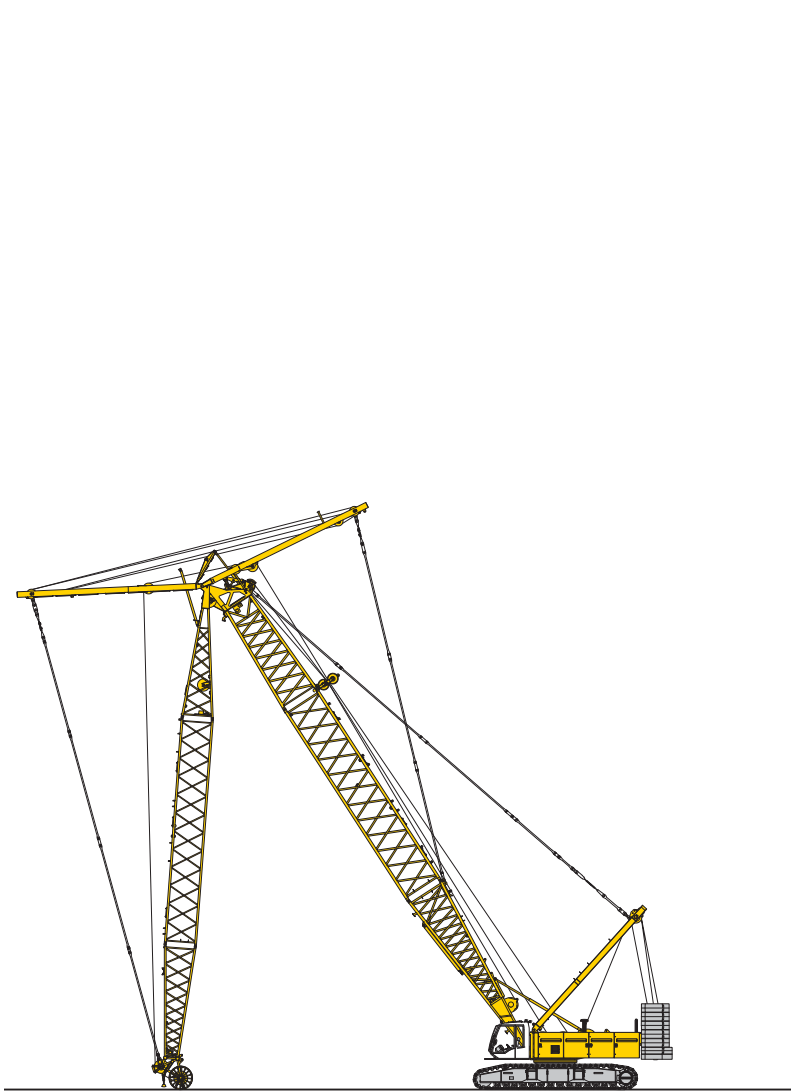
Erecting of main boom to working position



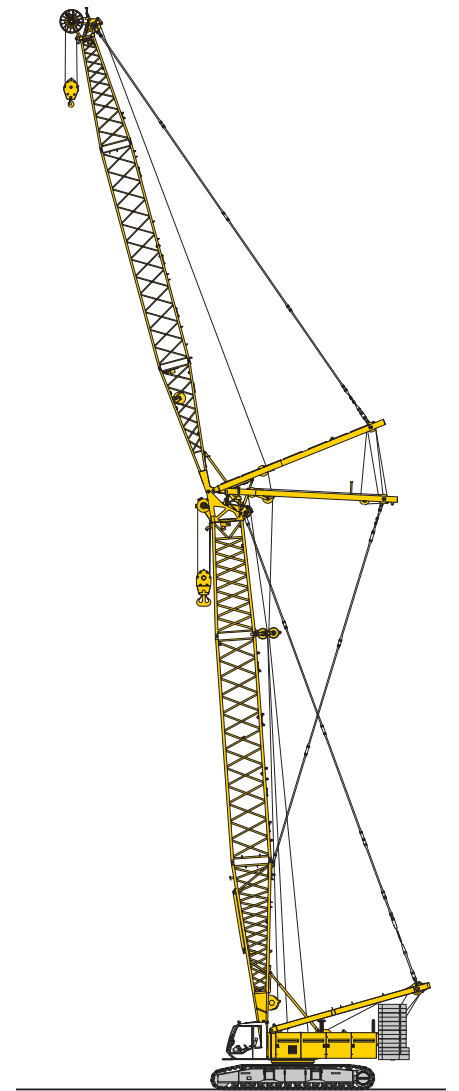
Assembly of boom



Reeving of hoist and luffing jib ropes



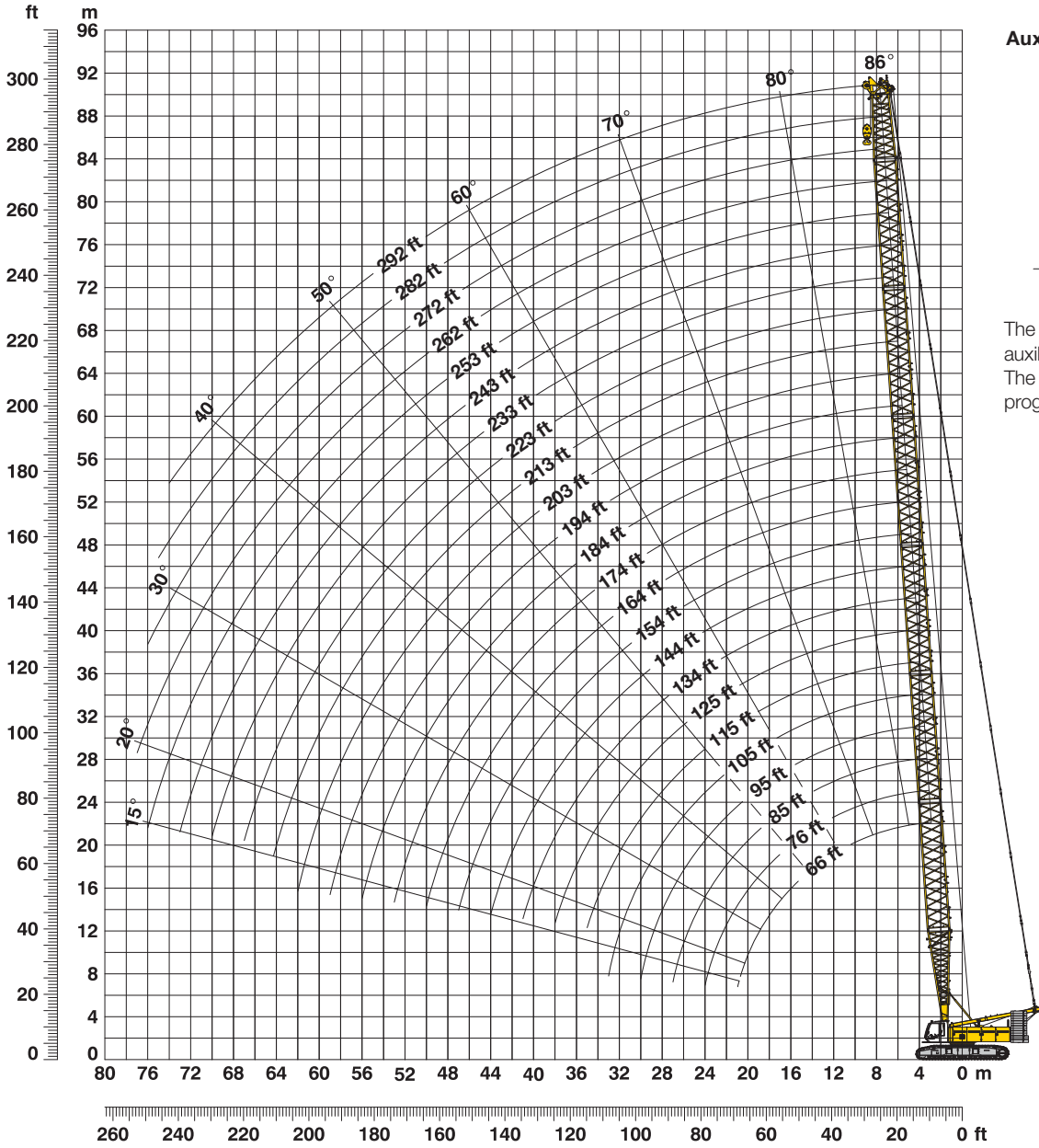
Erecting of main boom and luffing jib



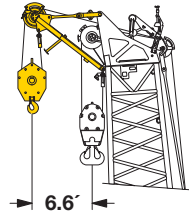
Working position

Main boom 86° - 15° (No. 2320.xx)

181,440 lbs counterweight and 79,400 lbs carbody counterweight



Auxiliary jib 53,000 lbs



The maximum capacity of the auxiliary jib is 53,000 lbs. The corresponding load chart is programmed in the LMI system.

Main boom configuration (Table 1 - No. 2320.xx) Configuration for boom lengths between 66 ft and 292 ft

Boom foot	Length*	Amount of boom extensions																							
		1	1	1	1	1	1	1	1	1	1	1	1	1	1	1	1	1	1	1	1				
Boom foot	33 ft	1	1	1	1	1	1	1	1	1	1	1	1	1	1	1	1	1	1	1	1				
Boom insert	10 ft	1		1		1		1		1		1		1		1		1		1					
Boom insert	20 ft		1	1		1	1		1	1		1	1		1	1		1	1		1				
Boom insert	40 ft				1	1	1	1	2	2	2	2	3	3	3	3	4	4	4	4	5	5	5	5	6
Boom head	23 ft	1	1	1	1	1	1	1	1	1	1	1	1	1	1	1	1	1	1	1	1	1	1	1	
Boom length (ft)		66	76	85	95	105	115	125	134	144	154	164	174	184	194	203	213	223	233	243	253	262	272	282	292

*Actual lengths of boom sections are metric (e.g. 3 m, 6 m, 7 m, 10 m, 12 m). The figures shown above are approximate conversions to feet.

Lift chart for main boom (No. 2320.xx)

181,440 lbs counterweight and 79,400 lbs carbody counterweight

TLT 10576479 - M133451 Offiziell

Capacities in 1000 lbs for boom lengths (66 ft - 292 ft) - with 26,980 lbf winches

Radius (ft)	Boom length in (ft)													Radius (ft)
	66 lbs	85 lbs	105 lbs	125 lbs	144 lbs	164 lbs	184 lbs	203 lbs	223 lbs	243 lbs	262 lbs	282 lbs	292 lbs	
20					255,5									20
25			311,6	276,5	237,4	201,9	181,8	150,9	122,7					25
30	270,6	270,8	271,0	252,6	218,0	189,3	175,2	146,7	120,5	105,1	88,0	73,5	65,5	30
40	176,9	177,1	177,1	176,8	176,6	167,0	166,1	139,1	113,4	102,3	86,1	71,9	64,2	40
50	130,0	130,1	130,1	129,7	129,4	128,9	128,5	128,0	107,6	98,2	82,9	69,5	62,1	50
60	101,7	101,9	101,8	101,4	101,1	100,5	100,1	99,5	99,0	93,2	80,5	67,3	60,3	60
70	26,6	83,0	83,0	82,6	82,2	81,6	81,1	80,5	80,0	79,3	77,0	64,5	58,0	70
80		69,4	69,5	69,0	68,7	68,1	67,6	66,9	66,4	65,7	65,1	61,7	55,4	80
85		63,8	64,0	63,6	63,3	62,7	62,1	61,5	60,9	60,2	59,6	58,9	54,3	85
105			47,8	47,6	47,3	46,7	46,1	45,5	44,9	44,1	43,5	42,8	42,5	105
125				36,9	36,7	36,2	35,7	35,0	34,4	33,6	33,0	32,2	32,0	125
145					29,2	28,7	28,2	27,6	27,0	26,4	25,7	25,0	24,7	145
165						23,2	22,8	22,1	21,5	20,8	20,2	19,4	19,1	165
180							19,4	18,8	18,2	17,5	16,9	16,1	15,8	180
200								15,1	14,6	13,9	13,2	12,5	12,2	200
220									11,6	10,9	10,3	9,6	9,3	220
240										8,4	7,8	7,1	6,8	240
260											5,7	5,0	4,8	260
275												3,6	3,4	275
285													2,5	285

159,400 counterweight and 79,400 lbs carbody counterweight

TLT 10576479 - M133451 Offiziell

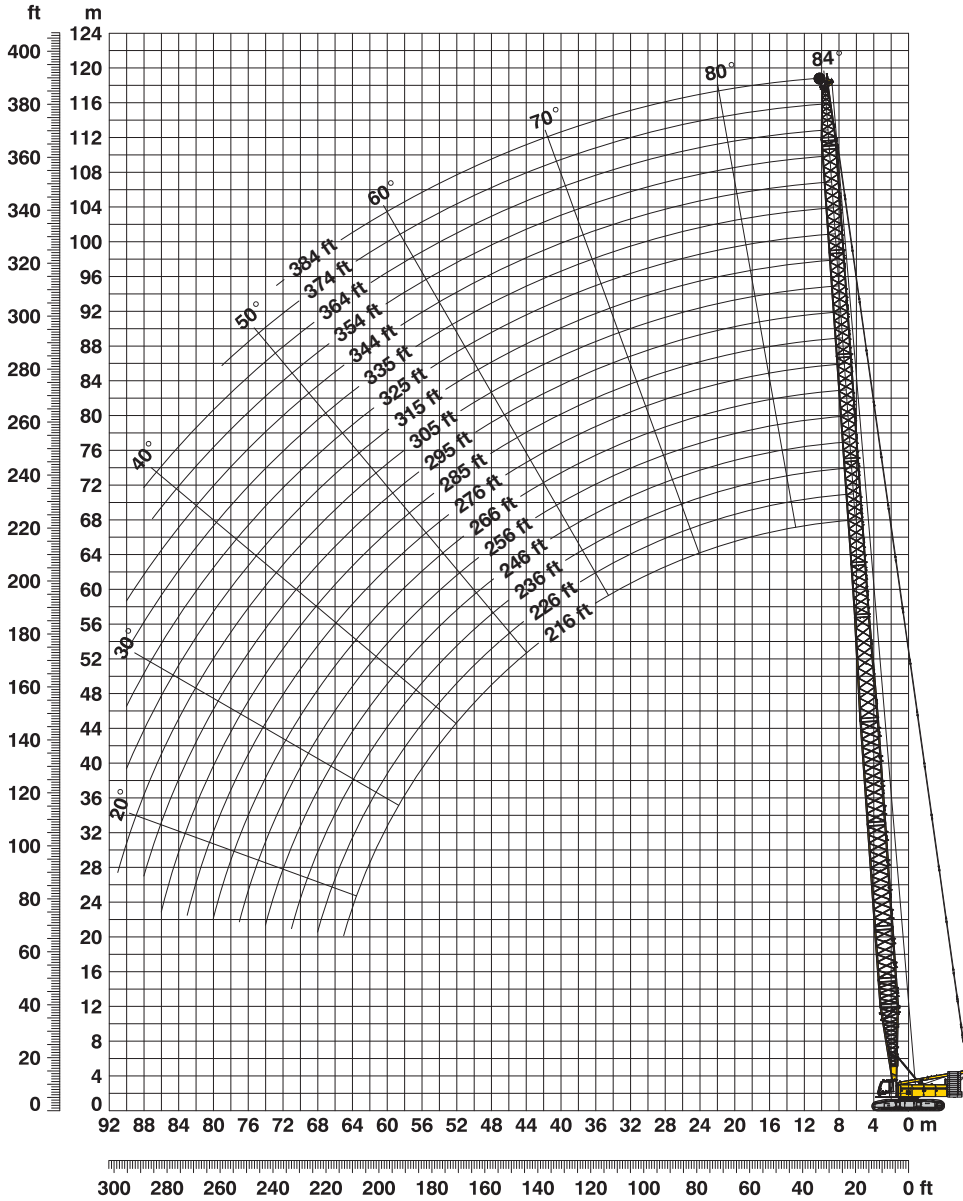
Capacities in 1000 lbs for boom lengths (66 ft - 292 ft) - with 26,980 lbf winches

Radius (ft)	Boom length in (ft)													Radius (ft)
	66 lbs	85 lbs	105 lbs	125 lbs	144 lbs	164 lbs	184 lbs	203 lbs	223 lbs	243 lbs	262 lbs	282 lbs	292 lbs	
13,4	484,9													13,4
15	484,9	367,7												15
20	415,7	356,0	341,2	303,9	255,5									20
25	334,4	334,9	311,6	276,5	237,4	201,9	181,8	150,9	122,7					25
30	248,3	248,6	248,8	248,7	218,0	189,3	175,2	146,7	120,5	105,1	88,0	73,5	65,5	30
40	162,1	162,2	162,3	162,0	161,7	161,4	161,1	139,1	113,4	102,3	86,1	71,9	64,2	40
60	92,8	93,0	93,0	92,5	92,2	91,6	91,2	90,6	90,1	89,5	80,5	67,3	60,3	60
70	26,6	75,6	75,6	75,1	74,8	74,2	73,7	73,1	72,5	71,9	71,3	64,5	58,0	70
85		57,9	58,1	57,7	57,3	56,7	56,2	55,6	55,0	54,3	53,7	53,0	52,2	85
105			43,2	42,9	42,6	42,0	41,4	40,8	40,2	39,5	38,8	38,1	37,8	105
125				33,1	32,9	32,3	31,8	31,1	30,5	29,8	29,1	28,4	28,1	125
145					26,0	25,5	25,1	24,4	23,8	23,1	22,4	21,7	21,4	145
160						21,5	21,1	20,4	19,8	19,1	18,4	17,7	17,4	160
165						20,3	19,9	19,3	18,7	17,9	17,3	16,5	16,3	165
180							16,8	16,2	15,6	14,9	14,2	13,5	13,2	180
200								12,8	12,3	11,5	10,9	10,1	9,9	200
220									9,5	8,8	8,2	7,4	7,2	220
240										6,5	5,9	5,2	4,9	240
260											3,9	3,2	3,0	260
270												2,4	2,1	270

Above lift chart is for reference only. For actual lift duty please refer to lift chart in operator's cab or manual.

L-boom high reach 216 ft - 384 ft (No. 2320/1916.xx)

Working range 84° - 15°



L-boom configuration with 141 ft main boom (No. 2320.xx/1916.xx)

Configuration for L-boom lengths between 216 ft and 384 ft

Length*	Amount of boom and luffing jib extensions																		
	1	1	1	1	1	1	1	1	1	1	1	1	1	1	1	1	1	1	1
Boom foot	1	1	1	1	1	1	1	1	1	1	1	1	1	1	1	1	1	1	1
Boom insert	1	1	1	1	1	1	1	1	1	1	1	1	1	1	1	1	1	1	1
Boom insert	1	1	1	1	1	1	1	1	1	1	1	1	1	1	1	1	1	1	1
Boom insert	2	2	2	2	2	2	2	2	2	2	2	2	2	2	2	2	2	2	2
Tapered	1	1	1	1	1	1	1	1	1	1	1	1	1	1	1	1	1	1	1
Luffing insert	1		1		1		1		1		1		1		1		1		1
Luffing insert		1	1			1	1			1	1			1	1			1	1
Luffing insert				1	1	1	1	2	2	2	2	3	3	3	3	4	4	4	4
Luffing jib head	1	1	1	1	1	1	1	1	1	1	1	1	1	1	1	1	1	1	1
Max. L-boom length (ft)	216	226	236	246	256	266	276	285	295	305	315	325	335	344	354	364	374	384	

*Actual lengths of boom sections are metric (e.g. 3 m, 6 m, 7 m, 10 m, 12 m). The figures shown above are approximate conversions to feet.

Lift chart for L-boom high reach (No. 2320/1916.xx)

181,440 lbs counterweight and 79,400 lbs carbody counterweight

TLT 10576479 - M133451 Offiziell

Main boom length 141 ft
Capacities in 1000 lbs

Radius	Boom length in (ft)					
	217	246	295	325	354	384
(ft)	lbs	lbs	lbs	lbs	lbs	lbs
29,3	129,7					
35	128,9	92,3				
40	124,2	89,6	58,5			
45	117,9	86,8	56,5	42,6	33,5	
50	105,7	84,4	53,9	41,1	32,3	24,4
60	88,4	79,9	49,7	37,9	29,8	22,8
80	65,2	61,0	42,2	32,4	25,6	19,7
100	51,1	47,7	36,6	28,0	22,3	17,1
110	45,8	43,1	34,1	26,3	21,1	16,0
120	40,6	39,1	32,3	24,6	19,8	15,2
130	36,3	36,0	30,4	23,3	18,6	14,2
140	32,7	32,5	28,7	22,0	17,7	13,4
150	29,5	29,4	27,3	20,7	16,8	12,7
160	26,8	26,7	25,7	19,7	15,9	12,0
170	24,5	24,3	23,4	18,8	15,1	11,3
180	22,4	22,2	21,3	17,5	14,4	10,7
190	20,5	20,4	19,5	16,4	13,6	10,1
200	18,8	18,7	17,8	15,4	12,7	9,7
210	17,2	17,1	16,3	14,6	11,9	9,0
215	16,5	16,4	15,5	14,1	11,6	8,6
220		15,7	14,9	13,6	11,3	8,3
240		13,3	12,5	12,0	9,8	7,3
260			10,4	10,1	8,5	6,1
290			7,9	7,5	6,2	4,6
300				6,6	5,2	3,9
320				4,9	3,5	2,5
325					3,1	2,1
335					2,3	

Main boom length 180 ft
Capacities in 1000 lbs

Radius	Boom length in (ft)					
	256	295	315	335	354	374
(ft)	lbs	lbs	lbs	lbs	lbs	lbs
33,5	96,0					
40	92,9	66,5	57,5			
45	89,8	64,8	56,9	46,4	39,5	
50	87,7	62,8	55,5	45,4	38,2	32,1
60	82,6	59,7	52,5	42,0	35,6	29,8
80	63,7	53,6	46,2	36,5	31,0	25,9
100	48,8	47,2	41,2	32,1	27,3	22,8
120	38,8	37,4	34,7	28,7	24,5	20,6
130	34,9	33,4	32,5	27,2	23,1	19,4
140	31,3	29,8	29,0	26,0	22,0	18,3
150	28,1	27,0	26,0	23,8	20,9	17,5
160	25,5	25,0	23,6	22,1	19,5	16,7
170	23,1	22,7	22,3	20,9	18,3	15,9
180	21,0	20,5	20,2	19,5	17,4	15,3
190	19,1	18,7	18,3	18,0	16,3	14,7
200	17,4	17,0	16,6	16,4	15,0	13,8
210	15,9	15,4	15,1	14,9	13,9	12,6
220	14,5	14,1	13,7	13,5	12,9	11,6
230	13,3	12,8	12,5	12,2	11,8	10,7
240	12,1	11,7	11,3	11,1	10,7	10,0
250	11,0	10,6	10,3	10,0	9,3	8,6
260		9,6	9,3	9,0	8,2	7,3
290		6,7	6,3	5,9	5,1	4,3
300			5,4	5,1	4,2	3,4
310			4,4	4,3	3,4	2,6
315				3,9	3,1	2,3
325				3,0	2,5	
330				2,2		

Above lift chart is for reference only. For actual lift duty please refer to lift chart in operator's cab or manual.

L-boom configuration with 180 ft main boom (No. 2320.xx/1916.xx)
Configuration for L-boom lengths between 256 ft and 374 ft

	Length*	Amount of boom and luffing jib extensions												
		256	266	276	285	295	305	315	325	335	344	354	364	374
Boom foot	33 ft	1	1	1	1	1	1	1	1	1	1	1	1	1
Boom insert	10 ft	1	1	1	1	1	1	1	1	1	1	1	1	1
Boom insert	20 ft	1	1	1	1	1	1	1	1	1	1	1	1	1
Boom insert	40 ft	3	3	3	3	3	3	3	3	3	3	3	3	3
Tapered	40 ft	1	1	1	1	1	1	1	1	1	1	1	1	1
Luffing insert	10 ft	1		1		1		1		1		1		1
Luffing insert	20 ft		1	1			1	1			1	1		
Luffing insert	40 ft				1	1	1	1	2	2	2	2	3	3
Luffing jib head	26 ft	1	1	1	1	1	1	1	1	1	1	1	1	1
Max. L-boom length (ft)		256	266	276	285	295	305	315	325	335	344	354	364	374

*Actual lengths of boom sections are metric (e.g. 3 m, 6 m, 7 m, 10 m, 12 m). The figures shown above are approximate conversions to feet.

Lift chart - luffing jib (No. 1916.xx)

Main boom 88°

TLT 10576479 - M133451 Offiziell

Main boom 76 ft

Radius (ft)	Jib length in (ft)							
	66 lbs	95 lbs	135 lbs	174 lbs	203 lbs	233 lbs	272 lbs	312 lbs
26	155,8							
35	132,4	124,4						
45	105,4	100,6	91,6					
50	95,2	91,2	85,0	69,8				
55	87,5	83,7	77,9	67,5	52,4			
65	74,6	71,5	67,4	60,9	50,7	39,6		
70	69,8	66,8	62,8	57,7	49,5	38,9	27,2	
75	26,6	62,7	59,3	55,2	47,8	38,3	26,9	
80		58,7	55,7	51,8	46,4	37,5	26,2	17,5
100		47,1	44,6	42,1	39,1	34,0	24,0	16,1
140			31,1	29,2	27,8	25,7	20,6	13,5
180				21,7	20,6	19,3	16,7	11,4
205					17,4	16,1	14,1	10,4
235						13,1	11,5	8,9
275							8,5	7,1
310								5,1

Main boom 115 ft

Radius (ft)	Jib length in (ft)							
	66 lbs	95 lbs	135 lbs	174 lbs	203 lbs	233 lbs	272 lbs	312 lbs
27,4	155,8							
35	140,4	123,4						
45	119,6	107,1	79,1					
55	102,1	94,0	77,7	53,0				
60	94,9	89,0	76,3	53,0	44,8			
65	88,9	83,3	73,3	53,0	44,2	34,3		
75	77,3	74,9	66,8	53,0	43,2	33,6	24,3	
80		70,7	64,2	52,0	42,7	33,2	23,9	16,0
100		57,3	54,2	47,8	40,4	31,6	22,2	15,1
105		26,6	51,8	46,0	39,8	31,1	21,8	14,7
140			37,7	36,6	33,4	28,0	19,3	12,6
180				25,7	26,6	24,0	17,1	10,8
205					21,4	21,4	16,1	9,9
235						16,4	15,0	8,8
275							10,6	7,5
310								6,2

Main boom 144 ft

Radius (ft)	Jib length in (ft)							
	66 lbs	95 lbs	135 lbs	174 lbs	203 lbs	233 lbs	272 lbs	312 lbs
28,4	126,7							
35	119,6	100,4						
45	107,1	93,2	71,3					
55	96,2	85,2	68,6	49,7				
60	91,6	82,1	67,0	49,0	38,4			
65	87,3	78,2	65,3	48,4	38,0	30,1		
75	78,8	72,4	61,1	46,9	37,0	29,6	21,6	
80		69,5	59,6	46,2	36,5	29,3	21,6	14,4
100		59,0	52,6	43,1	34,5	27,9	20,4	13,7
105		55,6	50,9	41,9	34,0	27,4	20,1	13,5
140			38,6	35,8	30,5	25,0	18,1	11,8
180				27,0	26,4	22,4	16,2	10,1
210					20,7	20,3	15,1	9,1
235						16,5	14,4	8,2
275							11,1	7,0
315								5,5

Main boom 174 ft

Radius (ft)	Jib length in (ft)							
	66 lbs	95 lbs	135 lbs	174 lbs	203 lbs	233 lbs	272 lbs	312 lbs
29,4	100,3							
40	92,1	77,3						
45	87,6	74,9	53,0					
55	80,8	69,5	52,8	41,2				
60	77,9	67,3	52,2	40,6	32,8			
65	75,0	65,0	51,6	40,1	32,5	25,8		
75	71,0	60,9	49,6	38,7	31,6	25,4	18,5	
85		57,4	47,5	37,3	30,7	24,8	18,2	12,4
100		53,5	44,0	35,4	29,2	23,9	17,6	11,9
105		52,3	43,0	34,5	28,8	23,5	17,4	11,7
145			26,6	29,4	25,2	20,9	15,5	10,2
180				26,6	22,4	18,9	14,3	9,1
210					19,0	17,4	13,4	8,3
240						15,7	12,5	7,3
275							10,9	6,4
315								5,1

Main boom 184 ft

Radius (ft)	Jib length in (ft)							
	66 lbs	95 lbs	115 lbs	135 lbs	174 lbs	203 lbs	233 lbs	262 lbs
29,8	97,8							
40	90,5	74,5	63,9					
45	86,7	72,4	63,0	53,0				
55	79,7	68,0	60,1	51,0	38,4			
60	76,6	66,1	58,5	49,7	38,2	30,0		
65	73,3	63,9	56,9	48,8	37,9	29,9	25,0	
75	68,5	59,9	53,9	46,9	36,9	29,7	24,6	19,8
80		57,9	52,2	46,2	36,5	29,5	24,3	19,7
100		51,2	46,5	42,0	33,8	28,0	23,1	18,8
105		49,9	45,2	41,0	33,0	27,6	22,6	18,6
125			41,4	37,0	30,4	25,8	21,4	17,5
145				26,6	27,9	24,1	20,0	16,5
180					25,0	21,2	18,0	15,2
210						19,8	16,5	14,0
240							15,3	13,0
265								12,1

Main boom 194 ft

Radius (ft)	Jib length in (ft)						
	66 lbs	95 lbs	115 lbs	135 lbs	174 lbs	203 lbs	
30,1	87,3						
40	81,1	66,8					
45	77,5	65,0	53,0	49,0			
55	72,2	61,3	51,9	47,5	36,3		
60	69,9	59,5	51,2	46,3	35,8	29,1	
75	63,9	54,2	48,4	43,2	34,0	28,1	
80		52,7	46,9	42,4	33,4	27,6	
105		47,2	41,4	37,4	30,3	25,4	
120			39,4	34,8	28,4	24,2	
125			38,8	34,1	27,9	23,7	
140				32,7	26,3	22,6	
145				26,6	25,7	22,2	
160					24,4	21,0	
180					23,2	19,6	
200						18,8	
210						18,4	

Capacities in 1000 lbs with luffing jib (No. 1916.xx), 181,440 lbs counterweight + 79,400 lbs carbody counterweight. Above lift chart is for reference only. For actual lift duty and complete chart with all available configurations please refer to lift chart in operator's cab or manual.

Lift chart - luffing jib (No. 1916.xx)

Main boom 83°

TLT 10576479 - M133451 Offiziell

Main boom 76 ft

Radius (ft)	Jib length in (ft)							
	66 lbs	95 lbs	135 lbs	174 lbs	203 lbs	233 lbs	272 lbs	312 lbs
38,2	142,0							
50	109,4	105,0						
60	90,0	86,3	81,4					
70	75,9	73,5	70,4	62,6				
80	66,0	64,1	60,9	57,2	48,6			
90		56,2	53,7	50,8	46,4	36,8		
100		50,4	47,9	45,5	42,8	35,5	24,4	
110		26,6	43,2	40,9	38,8	33,8	23,7	
115			41,0	38,8	37,4	32,7	23,2	15,5
145			31,5	29,7	28,5	26,5	20,7	13,5
160				26,3	25,1	23,6	19,3	12,7
185				21,9	20,9	19,6	17,2	11,5
215					16,9	15,7	14,0	10,3
240						13,1	11,7	9,0
280							8,6	7,3
315								5,2

Main boom 115 ft

Radius (ft)	Jib length in (ft)							
	66 lbs	95 lbs	135 lbs	174 lbs	203 lbs	233 lbs	272 lbs	312 lbs
43	144,1							
55	119,1	109,5						
65	96,6	95,3	78,9					
75	81,0	80,5	75,5	53,0				
85	69,3	69,1	68,2	53,0	44,0			
95		60,4	59,5	51,9	43,0	33,2		
105		53,4	52,7	50,5	41,7	32,4	22,4	
115		26,6	47,1	46,1	40,4	31,5	21,8	14,3
120			44,7	43,7	39,9	31,0	21,4	14,3
150			33,7	32,8	32,2	28,4	19,4	12,6
160				30,2	29,5	27,5	18,8	12,1
190				23,9	23,4	22,6	17,2	10,9
220					18,8	18,1	16,1	9,8
245						15,2	14,3	8,9
285							10,8	7,6
320								6,5

Main boom 144 ft

Radius (ft)	Jib length in (ft)							
	66 lbs	95 lbs	135 lbs	174 lbs	203 lbs	233 lbs	272 lbs	312 lbs
46,6	114,5							
60	101,4	90,3						
70	87,0	83,3	68,9					
80	73,8	73,3	65,2	49,5				
90	26,6	63,5	61,1	48,6	38,0			
100		55,9	55,0	46,9	37,3	29,5		
110		49,7	48,9	45,4	36,5	29,0	20,6	
115		47,0	46,3	44,3	36,0	28,7	20,4	
120			43,9	42,9	35,6	28,4	20,1	13,1
140			36,2	35,3	33,4	27,1	18,8	12,3
155			31,7	30,9	30,2	26,0	18,1	11,6
195				22,6	22,1	21,3	16,3	10,1
220					18,4	17,7	15,4	9,3
250						14,3	13,4	8,2
290							10,1	7,1
325								6,2

Main boom 174 ft

Radius (ft)	Jib length in (ft)							
	66 lbs	95 lbs	135 lbs	174 lbs	203 lbs	233 lbs	272 lbs	312 lbs
50,2	92,2							
60	85,7	73,6						
75	76,9	67,0	52,8					
85	67,5	62,7	51,7	40,3				
90	62,9	61,0	50,4	39,8				
95		58,5	49,5	39,1	32,2			
100		54,9	48,1	38,5	31,8	25,3		
115		46,2	44,8	37,1	30,5	24,6	17,5	
120		43,8	43,1	36,2	30,1	24,3	17,4	
125			40,9	35,4	29,8	23,9	17,2	11,3
160			26,6	29,0	26,9	21,9	15,7	10,2
195				22,1	21,5	20,2	14,6	9,1
225					17,4	16,6	13,7	8,4
255						13,5	12,4	7,5
290							9,7	6,6
330								5,3

Main boom 184 ft

Radius (ft)	Jib length in (ft)							
	66 lbs	95 lbs	115 lbs	135 lbs	174 lbs	203 lbs	233 lbs	262 lbs
51,4	91,0							
65	82,6	70,8						
70	78,6	68,7	61,6					
75	75,4	66,5	60,1	52,3				
85	67,1	61,8	57,0	50,6	38,4			
95	26,6	57,7	53,4	48,6	37,7	30,9		
105		51,4	50,4	45,8	36,7	30,3	24,3	
110		48,6	48,1	44,5	36,2	30,0	24,1	18,9
120		43,6	43,2	42,3	35,1	29,0	23,6	18,7
140			35,6	35,2	32,5	27,4	22,3	17,8
160				26,6	28,8	25,9	21,2	16,9
180					24,5	23,8	20,4	16,2
200					21,2	20,5	18,9	15,7
225						17,2	16,4	14,5
255							13,3	12,7
285								10,2

Main boom 194 ft

Radius (ft)	Jib length in (ft)						
	66 lbs	95 lbs	115 lbs	135 lbs	174 lbs	203 lbs	
52,6	80,7						
65	74,3	64,0					
70	71,4	62,2	52,8				
75	69,4	60,0	52,7	46,8			
85	65,1	56,5	50,9	45,8	35,3		
95	58,1	53,6	48,4	44,1	34,4	28,4	
100		52,0	47,1	43,2	33,8	28,1	
105		50,6	46,1	42,0	33,2	27,7	
110		48,2	44,8	41,0	32,7	27,3	
120		43,3	42,6	39,3	31,8	26,5	
125		26,6	40,7	38,2	31,2	26,2	
130			38,8	37,3	30,7	25,9	
140			35,3	35,0	29,9	25,1	
160				29,4	27,6	23,9	
200					21,0	20,3	
225						17,1	

Capacities in 1000 lbs with luffing jib (No. 1916.xx), 181,440 lbs counterweight + 79,400 lbs carbody counterweight. Above lift chart is for reference only. For actual lift duty and complete chart with all available configurations please refer to lift chart in operator's cab or manual.

Lift chart - luffing jib (No. 1916.xx)

Main boom 75°

TLT 10576479 - M133451 Offiziell

Main boom 76 ft

Radius (ft)	Jib length in (ft)							
	66 lbs	95 lbs	135 lbs	174 lbs	203 lbs	233 lbs	272 lbs	312 lbs
60	104,1							
70	86,0							
90	63,1	85,3						
105		52,0	61,8					
120		44,0	43,3	42,2	39,1			
130			39,2	37,7	36,1	31,0		
145			34,2	32,9	31,5	28,6	20,9	
155			31,3	30,0	28,8	26,8	20,6	
165				27,6	26,6	24,7	19,8	12,8
195				21,9	21,1	19,9	17,2	11,5
200					20,4	19,1	16,9	11,3
225					16,8	15,9	14,2	10,3
240						14,3	12,7	9,6
250						13,2	11,9	9,1
290							8,7	7,4
330								4,9

Main boom 115 ft

Radius (ft)	Jib length in (ft)							
	66 lbs	95 lbs	135 lbs	174 lbs	203 lbs	233 lbs	272 lbs	312 lbs
70	82,5							
80	70,1	69,2						
100	53,2	52,8	51,7					
115		44,4	43,5	42,3				
130		38,1	37,3	36,2	35,4			
140			33,9	32,9	32,1	29,9		
155			29,8	28,7	28,0	27,0	19,3	
165			27,4	26,5	25,8	24,8	19,1	
175				24,5	23,7	22,8	18,5	11,9
180				23,5	22,8	21,9	18,3	11,7
200				20,3	19,6	18,7	17,3	11,0
205				19,5	18,9	18,0	16,8	10,8
235					15,2	14,5	13,4	9,7
260						12,1	11,1	8,9
300							8,2	7,2
340								5,0

Main boom 144 ft

Radius (ft)	Jib length in (ft)							
	66 lbs	95 lbs	135 lbs	174 lbs	203 lbs	233 lbs	272 lbs	312 lbs
80	67,4							
90	58,4	57,5						
105	48,3	47,7	46,5					
110	26,6	45,0	43,9					
125		38,4	37,4	36,2				
135		34,8	33,9	32,7	31,9			
150			29,6	28,5	27,7	26,7		
165			26,2	25,1	24,4	23,4	17,9	
175			24,1	23,2	22,4	21,4	17,6	
180				22,3	21,5	20,6	17,4	10,9
215				17,2	16,5	15,6	14,5	9,9
220					15,9	15,0	13,9	9,7
240					13,8	13,0	11,9	9,2
270						10,4	9,4	7,9
310							6,8	5,6
345								4,0

Main boom 174 ft

Radius (ft)	Jib length in (ft)							
	66 lbs	95 lbs	135 lbs	174 lbs	203 lbs	233 lbs	272 lbs	312 lbs
85	59,9							
100	49,1	48,2						
115	41,2	40,6	39,3					
130		34,8	33,7	32,4				
145		30,2	29,3	28,1	27,2			
155			26,8	25,7	24,9	22,4		
170			23,8	22,7	21,9	20,5	15,0	
180			22,0	20,9	20,1	18,9	15,0	
190				19,4	18,6	17,5	14,7	9,2
200				18,0	17,2	16,2	14,1	9,1
220				15,5	14,8	13,9	12,0	8,8
240					12,8	11,9	10,3	8,2
250					11,9	11,1	9,5	7,5
275						9,1	7,8	5,9
315							5,7	4,0
355								2,5

Main boom 184 ft

Radius (ft)	Jib length in (ft)							
	66 lbs	95 lbs	115 lbs	135 lbs	174 lbs	203 lbs	233 lbs	262 lbs
85,1	53,0							
100	48,3	47,3						
110	42,9	42,1	41,4					
115	40,6	39,8	39,2	38,6				
125		35,9	35,3	34,7				
135		32,6	32,0	31,4	30,2			
145		29,7	29,2	28,7	27,4	26,4		
160			25,7	25,2	24,1	23,2	21,2	
165			24,6	24,2	23,1	22,2	20,4	
170				23,3	22,1	21,3	19,6	16,2
180				21,5	20,4	19,6	18,1	16,0
185				20,7	19,6	18,8	17,3	15,8
225					14,6	13,9	12,9	11,5
250						11,6	10,7	9,5
280							8,5	7,6
310								6,0

Main boom 194 ft

Radius (ft)	Jib length in (ft)						
	66 lbs	95 lbs	115 lbs	135 lbs	174 lbs	203 lbs	
87,7	53,0						
105	44,7	43,7					
110	42,2	41,3	40,6				
120	37,8	37,1	36,4	35,8			
135		32,0	31,3	30,8	29,5		
150		27,8	27,3	26,8	25,7	24,3	
160			25,2	24,7	23,5	22,3	
170			23,1	22,8	21,6	20,6	
180				21,0	19,9	19,1	
185				20,2	19,2	18,3	
190					18,4	17,6	
200					17,1	16,3	
220					14,7	14,0	
225					14,2	13,5	
240						12,1	
255						10,8	

Capacities in 1000 lbs with luffing jib (No. 1916.xx), 181,440 lbs counterweight + 79,400 lbs carbody counterweight. Above lift chart is for reference only. For actual lift duty and complete chart with all available configurations please refer to lift chart in operator's cab or manual.

Lift chart - luffing jib (No. 1916.xx)

Main boom 65°

TLT 10576479 - M133451 Offiziell

Main boom 76 ft

Radius (ft)	Jib length in (ft)							
	66 lbs	95 lbs	135 lbs	174 lbs	203 lbs	233 lbs	272 lbs	312 lbs
80	69,5							
100	52,8	52,2						
105	26,6	49,2						
120		41,8	40,8					
130		37,7	36,9					
145			32,1	31,0				
160			28,2	27,2	26,5			
170			26,1	25,1	24,4			
180				23,2	22,5	21,6		
200				20,0	19,3	18,4	16,9	
205				19,3	18,6	17,7	16,6	
225					16,1	15,3	14,2	10,5
235					15,0	14,2	13,1	10,1
265						11,5	10,5	8,9
305							7,7	6,7
340								4,8

Main boom 115 ft

Radius (ft)	Jib length in (ft)							
	66 lbs	95 lbs	135 lbs	174 lbs	203 lbs	233 lbs	272 lbs	312 lbs
95,8	51,5							
115	41,2	40,4						
120	38,9	38,3						
140		31,5	30,4					
150		26,6	27,8					
160			25,6	24,4				
175			22,7	21,6	20,7			
185			21,0	19,9	19,1			
195				18,5	17,7	16,7		
215				15,9	15,2	14,2	13,0	
225				14,8	14,1	13,2	12,0	
240					12,7	11,7	10,6	9,0
255					11,4	10,5	9,4	7,8
280						8,7	7,6	6,2
320							5,3	4,1
355								2,7

Main boom 144 ft

Radius (ft)	Jib length in (ft)							
	66 lbs	95 lbs	135 lbs	174 lbs	203 lbs	233 lbs	272 lbs	312 lbs
108,3	41,1							
130	32,7	31,9						
150		26,6	25,4					
160		24,4	23,3					
175			20,6	19,4				
190			18,3	17,2	16,3			
200			17,0	15,9	15,1			
205				15,3	14,5	13,3		
230				12,7	11,9	10,9	9,2	
235				12,2	11,5	10,5	8,8	
250					10,3	9,3	7,7	5,6
255					9,9	8,9	7,3	5,4
265					9,2	8,2	6,7	4,8
295						6,4	5,1	3,2
325							3,8	2,0
330							3,6	

Main boom 174 ft

Radius (ft)	Jib length in (ft)							
	66 lbs	95 lbs	135 lbs	174 lbs	203 lbs	233 lbs	272 lbs	312 lbs
120,8	32,8							
140	27,2	26,3						
145	25,9	25,1						
165		21,1	19,9					
175		19,4	18,3					
185			16,9	15,6				
200			15,0	13,8	12,8			
210			13,9	12,8	11,9			
220				11,8	11,0	9,2		
240				10,1	9,3	7,8	5,7	
250				9,3	8,6	7,1	5,1	
265					7,6	6,3	4,3	2,3
270					7,3	6,0	4,0	2,1
280					6,7	5,5	3,6	
305						4,5	2,6	
320							2,0	

Main boom 184 ft

Radius (ft)	Jib length in (ft)							
	66 lbs	95 lbs	115 lbs	135 lbs	174 lbs	203 lbs	233 lbs	262 lbs
124,9	30,3							
145	25,0	24,1						
150	23,9	23,0						
155		22,1	21,3					
165		20,3	19,6	18,9				
175		18,6	18,0	17,4				
190			16,0	15,5	14,1			
195			15,4	14,9	13,6			
205				13,8	12,5	11,2		
215				12,7	11,6	10,4		
225					10,7	9,6	7,8	
240					9,5	8,6	6,8	5,4
255					8,4	7,6	5,9	4,5
280						6,2	4,7	3,4
310							3,5	2,2
315								2,0

Main boom 194 ft

Radius (ft)	Jib length in (ft)						
	66 lbs	95 lbs	115 lbs	135 lbs	174 lbs	203 lbs	
129,1	28,0						
150	23,0	22,1					
155	22,0	21,1					
160		20,2	19,5				
170		18,6	17,9	17,3			
175		17,9	17,2	16,6			
180		17,1	16,5	15,9			
195			14,6	14,1	12,6		
200			14,1	13,6	12,1		
210				12,6	11,3	9,8	
215				12,1	10,8	9,4	
220				11,6	10,4	9,0	
225					10,0	8,6	
235					9,2	8,0	
255					7,8	6,8	
285						5,4	

Capacities in 1000 lbs with luffing jib (No. 1916.xx), 181,440 lbs counterweight + 79,400 lbs carbody counterweight. Above lift chart is for reference only. For actual lift duty and complete chart with all available configurations please refer to lift chart in operator's cab or manual.

Lift chart - luffing jib (No. 1916.xx)

Main boom 45°

TLT 10576479 - M133451 Offiziell

Main boom 76 ft

Radius (ft)	Jib length in (ft)							
	66 lbs	95 lbs	135 lbs	174 lbs	203 lbs	233 lbs	272 lbs	312 lbs
116	40,0							
125	36,3							
141		30,6						
155		26,6						
175			22,1					
190			19,7					
205				16,6				
230				13,9	13,1			
255					11,0	10,1		
260					10,6	9,7		
285						8,0		
290							6,6	
320							5,0	3,9
325							4,7	3,6
360								2,2

Main boom 115 ft

Radius (ft)	Jib length in (ft)							
	66 lbs	95 lbs	135 lbs	174 lbs	203 lbs	233 lbs	272 lbs	
143,9	25,9							
150	24,6							
168		20,2						
180		18,4						
205			14,2					
220			12,6					
235				10,2				
255				8,7				
260					7,6			
275					6,7			
285					6,1	5,2		
305						4,2		
315						3,7	2,4	
320							2,2	
0								

Main boom 144 ft

Radius (ft)	Jib length in (ft)				
	66 lbs	95 lbs	135 lbs	174 lbs	203 lbs
164,7	18,2				
175	16,7				
190		13,9			
200		12,8			
223			9,6		
240			8,4		
255				6,2	
280				4,9	4,1
305					3,0

Main boom 174 ft

Radius (ft)	Jib length in (ft)				
	66 lbs	95 lbs	135 lbs	174 lbs	
185,6	12,0				
195	11,1				
210		8,8			
225		7,7			
242			5,4		
260			4,6		
275				2,3	
285				2,0	

Main boom 184 ft

Radius (ft)	Jib length in (ft)			
	66 lbs	95 lbs	115 lbs	135 lbs
192,6	10,1			
200	9,5			
220		7,1		
230		6,4		
235			5,4	
250			4,6	4,0
270				3,2

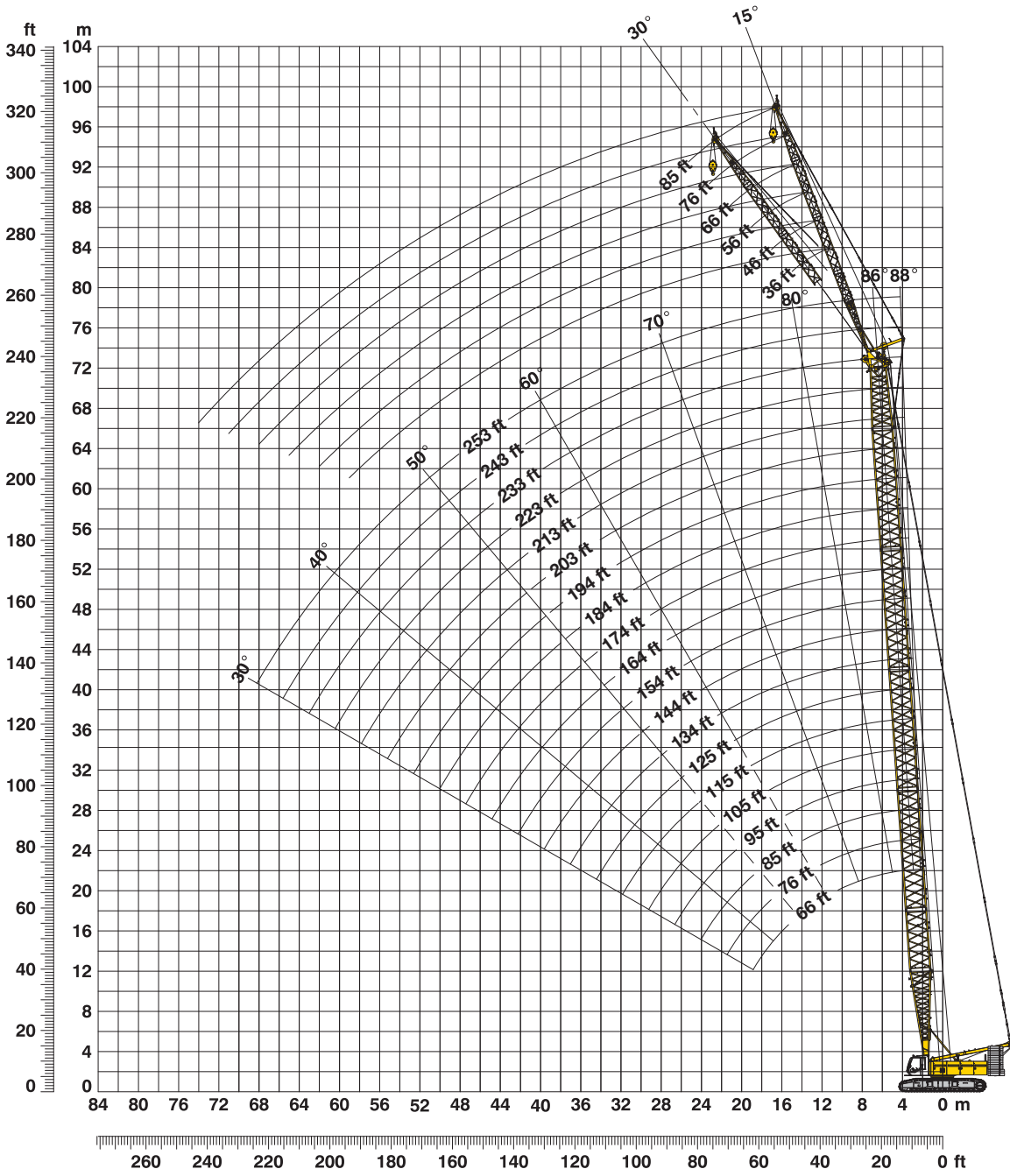
Main boom 194 ft

Radius (ft)	Jib length in (ft)			
	66 lbs	95 lbs	115 lbs	135 lbs
199,5	8,4			
210	7,6			
225		5,7		
235		5,1		
240			4,1	
255			3,5	
256				2,5
270				2,1

Capacities in 1000 lbs with luffing jib (No. 1916.xx), 181,440 lbs counterweight + 79,400 lbs carbody counterweight. Above lift chart is for reference only. For actual lift duty and complete chart with all available configurations please refer to lift chart in operator's cab or manual.

Working range - fixed jib 15° and 30° (No. 1008.xx)

Main boom 88° – 30°



Boom configuration for boom lengths (66 ft – 243 ft) – see table 1 on Seite 10

Fixed jib configuration for fixed jib lengths (36 ft – 85 ft)

	Length*	Amount of fixed jib extensions					
Fixed jib foot	18 ft	1	1	1	1	1	1
Fixed jib insert	10 ft		1		1		1
Fixed jib insert	20 ft			1	1	2	2
Fixed jib head	18 ft	1	1	1	1	1	1
Fixed jib length (ft)		36	46	56	66	76	85

*Actual lengths of boom sections are metric (e.g. 3 m, 5.5 m, 6 m). The figures shown above are approximate conversions to feet.

Lift chart - fixed jib (No. 1008.xx)

Offset 15°

TLT 10576479 - M133451 Offiziell

Main boom 66 ft

Radius	Fixed jib length in (ft)			
	36	46	66	85
(ft)	lbs	lbs	lbs	lbs
30	79,1	79,1		
35	79,1	77,4	68,8	
40	79,1	75,2	66,4	52,1
50	78,9	69,3	58,1	47,8
60	77,9	64,3	50,2	41,8
70	71,8	60,0	45,9	36,8
80	63,5	53,8	40,6	32,8
90	57,6	49,5	36,8	29,4
100	52,5	45,9	33,3	26,8
110		42,1	30,6	25,2
125			27,5	22,5
145				19,8

Main boom 95 ft

Radius	Fixed jib length in (ft)			
	36	46	66	85
(ft)	lbs	lbs	lbs	lbs
25	79,1			
30	79,1	79,1		
35	79,1	79,1	68,8	
40	79,1	77,1	67,1	51,6
60	78,9	68,4	55,2	44,0
80	70,0	60,7	45,7	35,6
100	51,9	52,0	37,9	29,8
120	40,1	40,7	32,5	26,3
125	37,7	38,4	31,4	25,4
135		34,2	29,7	23,8
155			26,7	21,3
170				19,7

Main boom 125 ft

Radius	Fixed jib length in (ft)			
	36	46	66	85
(ft)	lbs	lbs	lbs	lbs
20,7	79,1			
25	79,1	79,1		
35	79,1	79,1	69,4	
40	79,1	79,1	68,5	50,2
60	79,1	72,2	58,7	45,4
80	68,9	65,8	48,8	38,1
100	50,8	51,4	42,6	32,3
120	39,0	39,6	37,1	27,9
150	27,5	28,1	29,1	24,1
160		25,2	26,2	22,8
180			21,4	20,9
200				18,3

Main boom 154 ft

Radius	Fixed jib length in (ft)			
	36	46	66	85
(ft)	lbs	lbs	lbs	lbs
21,7	79,1			
30	79,1	79,1		
35	79,1	78,9	67,4	
45	79,1	78,1	65,1	48,2
60	79,1	73,5	59,5	45,3
80	68,1	67,5	51,0	39,5
100	49,8	50,5	45,3	34,1
140	29,9	30,4	31,4	26,7
175	20,2	20,7	21,6	22,3
185		18,6	19,5	20,2
205			15,8	16,5
225				13,5

Main boom 184 ft

Radius	Fixed jib length in (ft)			
	36	46	66	85
(ft)	lbs	lbs	lbs	lbs
22,4	79,1			
30	79,1	79,0		
35	79,1	78,9	65,6	
45	79,1	77,3	63,7	47,2
60	79,1	73,8	59,8	44,7
80	67,4	67,8	52,7	39,9
120	37,4	38,0	39,1	31,3
160	23,2	23,7	24,6	25,4
190	16,6	17,0	17,8	18,5
200		15,2	16,0	16,7
220			12,9	13,6
240				10,9

Main boom 203 ft

Radius	Fixed jib length in (ft)			
	36	46	66	85
(ft)	lbs	lbs	lbs	lbs
23,4	79,1			
30	79,1	77,0		
35	79,1	76,6	62,0	
45	79,1	75,4	61,0	44,6
60	79,1	73,2	58,4	42,9
100	48,1	48,8	48,4	36,6
140	28,0	28,6	29,6	29,4
180	17,4	17,8	18,7	19,4
215	11,3	11,7	12,5	13,2
225		10,3	11,1	11,8
245			8,6	9,2
265				7,0

Main boom 223 ft

Radius	Fixed jib length in (ft)			
	36	46	66	85
(ft)	lbs	lbs	lbs	lbs
24,1	79,1			
30	79,1	74,7		
40	78,5	73,5	58,5	
45	78,0	72,3	57,8	42,6
80	65,8	65,1	51,0	39,0
120	35,6	36,2	37,4	33,1
160	21,3	21,8	22,8	23,6
200	13,0	13,4	14,2	14,9
235	8,0	8,4	9,1	9,8
245		7,2	7,9	8,6
265			5,8	6,4
285				4,5

Main boom 243 ft

Radius	Fixed jib length in (ft)			
	36	46	66	75
(ft)	lbs	lbs	lbs	lbs
24,8	75,0			
30	74,7	68,1		
40	71,9	66,7	53,9	
45	70,3	65,6	53,4	46,5
60	66,6	62,2	51,1	44,7
100	46,7	47,5	44,2	40,1
180	15,9	16,3	17,2	17,7
220	9,2	9,6	10,3	10,7
250	5,5	5,9	6,6	7,0
260		4,8	5,6	5,9
280			3,6	4,0
290				3,1

Main boom 253 ft

Radius	Fixed jib length in (ft)		
	36	46	56
(ft)	lbs	lbs	lbs
25,1	70,1		
30	70,1	63,0	
35	68,3	62,8	57,2
40	67,0	61,8	57,0
60	61,9	58,0	54,3
100	46,4	47,2	46,1
140	26,3	26,8	27,5
180	15,6	16,0	16,5
220	8,9	9,3	9,7
260	4,2	4,6	5,0
270		3,6	4,0
280			3,1

Capacities in 1000 lbs with fixed jib (No. 1008.xx), 181,440 lbs counterweight + 79,400 lbs carbody counterweight. Above lift chart is for reference only. For actual lift duty and complete chart with all available configurations please refer to lift chart in operator's cab or manual.

Lift chart - fixed jib (No. 1008.xx)

Offset 30°

TLT 10576479 - M133451 Offiziell

Main boom 66 ft

Radius (ft)	Fixed jib length in (ft)			
	36 lbs	46 lbs	66 lbs	85 lbs
35	79,1			
40	74,5	62,0		
50	65,5	55,1	41,3	
60	58,4	49,9	36,4	29,2
70	53,0	45,8	32,8	26,6
80	49,8	41,9	29,9	24,9
90	47,1	38,7	27,4	22,6
95	46,0	37,4	26,6	21,7
100	44,9	36,5	26,4	20,9
110		35,1	24,9	19,3
130			23,2	17,1
150				16,0

Main boom 95 ft

Radius (ft)	Fixed jib length in (ft)			
	36 lbs	46 lbs	66 lbs	85 lbs
35	79,1			
40	79,0	62,9		
50	71,0	58,1	41,8	
60	63,9	52,7	37,9	29,5
80	54,2	46,1	31,8	25,6
100	49,1	40,4	27,8	22,2
110	45,8	38,1	26,6	20,9
120	40,3	36,6	25,8	19,6
125	37,9	36,0	25,2	19,0
135		34,4	24,3	18,1
155			23,2	16,6
175				16,0

Main boom 125 ft

Radius (ft)	Fixed jib length in (ft)			
	36 lbs	46 lbs	66 lbs	85 lbs
29,4	79,1			
40	79,1	64,9		
50	74,2	62,0	43,1	
60	68,3	56,7	39,4	28,7
80	58,9	50	34,2	26,4
100	51,5	44,7	30,2	23,5
120	39,5	40,3	27,1	20,9
140	31,1	31,8	25,6	18,9
150	27,7	28,4	25,0	18,1
160		25,4	24,4	17,4
180			21,6	16,4
200				16,0

Main boom 154 ft

Radius (ft)	Fixed jib length in (ft)			
	36 lbs	46 lbs	66 lbs	85 lbs
30,4	79,1			
40	78,9	63,7		
50	77,3	60,8	42,0	
65	69,2	55,1	38,0	28,7
80	62,3	50,9	34,5	26,6
100	50,8	46,5	30,8	24,1
120	38,7	39,5	28,1	21,5
140	30,3	31,0	26,6	19,6
175	20,4	21,0	22,1	17,2
185		18,7	19,9	16,7
205			16,0	16,1
225				13,7

Main boom 184 ft

Radius (ft)	Fixed jib length in (ft)			
	36 lbs	46 lbs	66 lbs	85 lbs
31,4	79,1			
40	79,1	65,3		
50	77,6	63,1	41,3	
65	70,8	58,1	39,2	28,7
80	64,8	53,5	35,9	26,6
100	49,9	49,2	32,5	24,8
120	37,8	38,6	29,8	22,6
160	23,2	23,8	25,1	19,2
200	14,5	15,1	16,1	17,1
210		13,3	14,4	15,3
230			11,3	12,2
250				9,5

Main boom 203 ft

Radius (ft)	Fixed jib length in (ft)			
	36 lbs	46 lbs	66 lbs	85 lbs
32,1	79,1			
40	79,1	64,9		
55	76,2	61,7	41,9	
65	71,7	58,8	39,5	28,5
80	66,2	54,1	36,4	26,6
100	49,3	49,3	33,2	25,1
140	28,7	29,4	28,3	21,2
180	17,7	18,3	19,5	18,6
220	10,7	11,2	12,2	13,1
230		9,8	10,7	11,6
250			8,1	9,0
270				6,7

Main boom 223 ft

Radius (ft)	Fixed jib length in (ft)			
	36 lbs	46 lbs	66 lbs	85 lbs
32,8	76,5			
40	76,2	62,4		
55	72,1	59,9	41,6	
65	68,7	57,1	39,6	28,2
80	63,9	52,8	36,8	26,6
120	36,6	37,4	30,9	23,4
160	21,9	22,6	23,9	20,3
200	13,3	13,8	14,9	15,9
235	8,1	8,6	9,5	10,4
245		7,3	8,2	9,1
265			5,9	6,8
285				4,7

Main boom 243 ft

Radius (ft)	Fixed jib length in (ft)			
	36 lbs	46 lbs	66 lbs	75 lbs
33,5	68,9			
40	68,7	58,4		
55	65,1	56,4	41,2	
60	63,9	54,9	40,7	33,0
100	48,1	46,6	33,9	28,1
140	27,4	28,2	29,4	24,9
180	16,4	17,0	18,2	18,9
220	9,5	9,9	11,0	11,5
255	5,1	5,5	6,4	6,9
265		4,5	5,3	5,8
285			3,3	3,8
295				2,8

Main boom 253 ft

Radius (ft)	Fixed jib length in (ft)		
	36 lbs	46 lbs	56 lbs
33,8	65,6		
40	65,4	55,8	
50	63,2	54,7	49,2
60	60,9	52,5	47,1
80	55,9	48,6	43,2
100	47,9	45,1	39,8
140	27,2	27,9	28,8
180	16,1	16,7	17,4
220	9,2	9,7	10,3
260	4,4	4,8	5,2
270		3,7	4,2
280			3,2

Capacities in 1000 lbs with fixed jib (No. 1008.xx), 181,440 lbs counterweight + 79,400 lbs carbody counterweight. Above lift chart is for reference only. For actual lift duty and complete chart with all available configurations please refer to lift chart in operator's cab or manual.

Notice

