

# Technical data Hydraulic lift crane

# LR 1100

Litronic®

Complies with ANSI/ASME B 30.5

1001.01

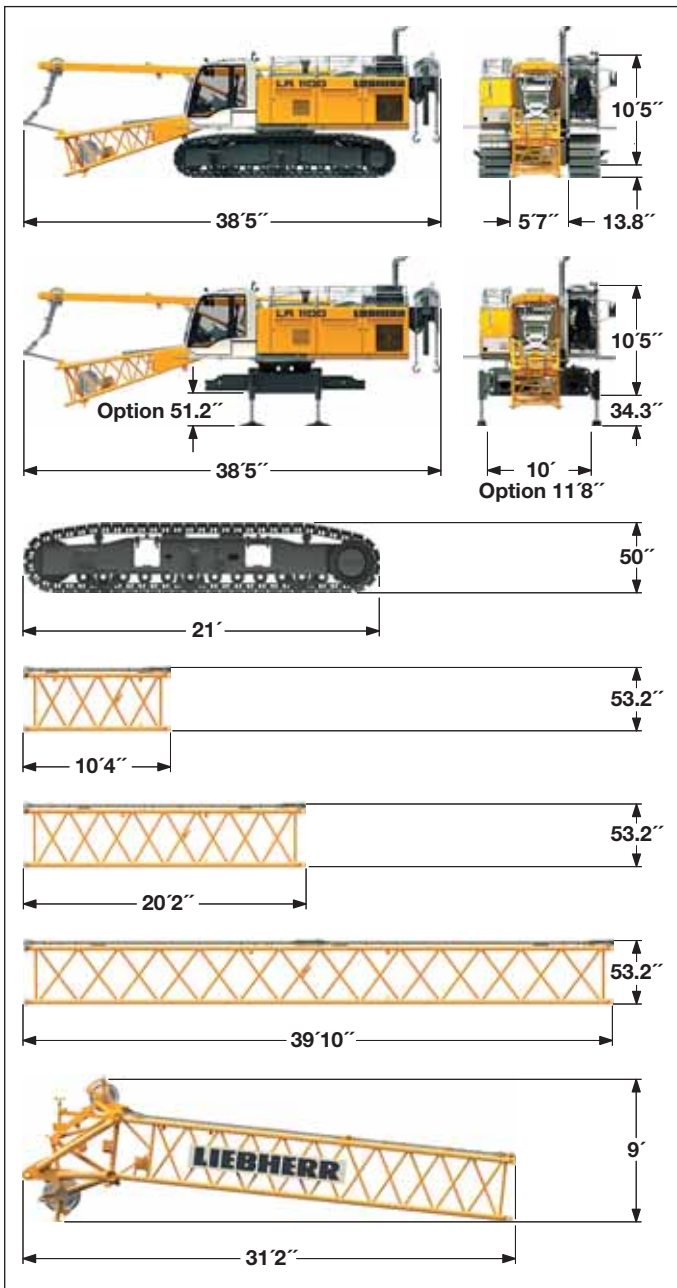


# LIEBHERR

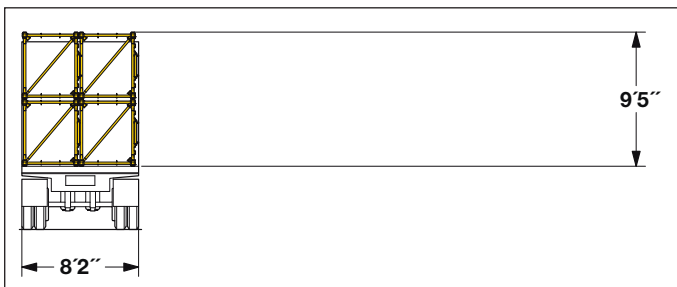


# Transport dimensions and weights

## Basic machine and boom (No. 1311.xx)



1) Pendant straps for main boom • 2) Pendant straps for jib



\*Actual lengths of boom sections are metric (e.g. 3m, 6m, 12m). The figures shown above are approximate conversions to feet.

### Basic machine

with undercarriage, boom foot (No. 1311.22), A-frame, 2x 26,980 lbf crane winches without wire ropes and basic counterweight

Width	11'6"
Weight	123,900 lbs
Weight of wire rope	2.28 lbs/ft

### Basic machine

with boom foot (No. 1311.22), A-frame, 2x 26,980 lbf crane winches without wire ropes, basic counterweight and crawlers

Width	11'6"
Weight	78,925 lbs
Weight of wire rope	2.28 lbs/ft

### Crawler

**2x**

Track pads	35.4"
Width	36.0"
Weight	22,500 lbs

### Boom section (No. 1311.22)

**10 ft**

Width	4'7"
Weight with HPT <sup>1)</sup>	1,025 lbs
Weight with HPT <sup>1)</sup> and NDL <sup>2)</sup>	1,170 lbs

### Boom section (No. 1311.22)

**20 ft**

Width	4'7"
Weight with HPT <sup>1)</sup>	1,720 lbs
Weight with HPT <sup>1)</sup> and NDL <sup>2)</sup>	1,965 lbs

### Boom section (No. 1311.21)

**40 ft**

Width	4'7"
Weight with HPT <sup>1)</sup>	2,910 lbs
Weight with HPT <sup>1)</sup> and NDL <sup>2)</sup>	3,420 lbs

### Boom head (No. 1311.21)

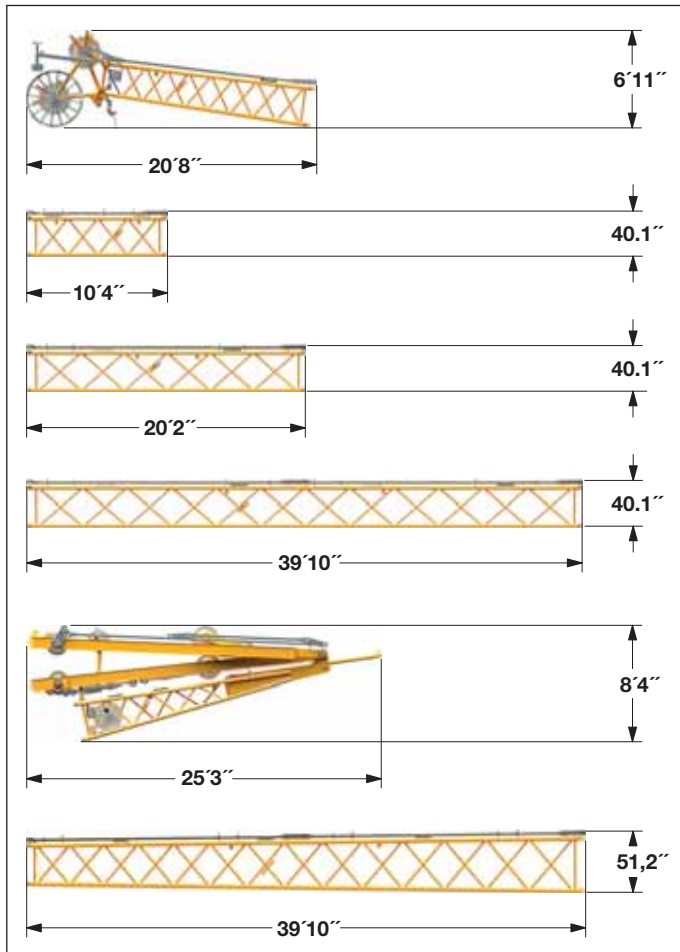
Width	5'5"
Weight with HPT <sup>1)</sup>	5,070 lbs

### Boom transport option (without pendant straps)

Length	39.8 ft
Weight	13,700 lbs

# Transport dimensions and weights

## Luffing jib (No. 1008.xx)



### Luffing jib head (No. 1008.17)

Width	43.3 inch
Weight*	2,250 lbs

### Luffing jib section (No. 1008.17) 10 ft

Width	43.3 inch
Weight*	660 lbs

### Luffing jib section (No. 1008.17) 20 ft

Width	43.3 inch
Weight*	1,005 lbs

### Luffing jib section (No. 1008.17) 40 ft

Width	43.3 inch
Weight*	1,875 lbs

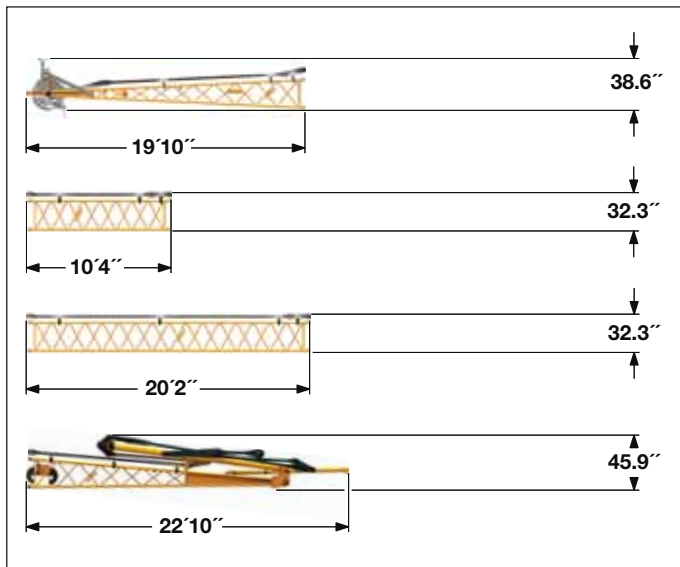
### Luffing jib foot with A-frames (No. 1008.20)

Width	65 inch
Weight*	8,050 lbs

### Boom section tapered (No. 1311/1008.21) 40 ft

Width	55.1 inch
Weight*	2,670 lbs

## Fixed jib (No. 0806.xx)



### Fixed jib head (No. 0806.16)

Width	37.4 inch
Weight*	1,015 lbs

### Fixed jib section (No. 0806.15) 10 ft

Width	37.4 inch
Weight*	320 lbs

### Fixed jib section (No. 0806.15) 20 ft

Width	37.4 inch
Weight*	550 lbs

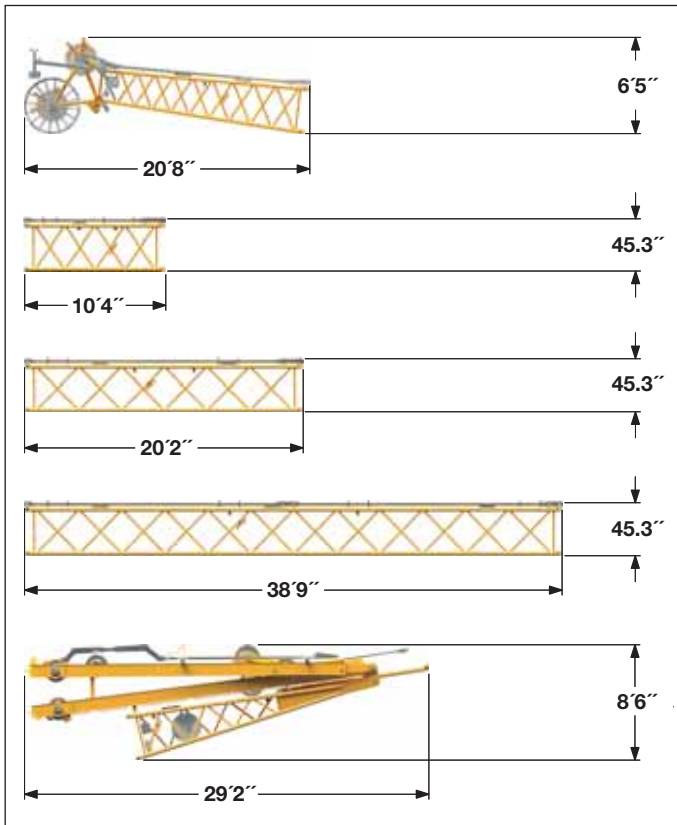
### Fixed jib foot with A-frame (No. 0806.16)

Width	7'3"
Weight*	2,295 lbs

\*) Including pendant straps

# Transport dimensions and weights

## Luffing jib (No. 1309.xx)



\*) Including pendant straps

### Luffing jib head (No. 1309.22)

Width	54.7 inch
Weight*	3,530 lbs

### Luffing jib section (No. 1309.20) **10 ft**

Width	54.7 inch
Weight*	930 lbs

### Luffing jib section (No. 1309.20) **20 ft**

Width	54.7 inch
Weight*	1,150 lbs

### Luffing jib section (No. 1309.20) **38 ft**

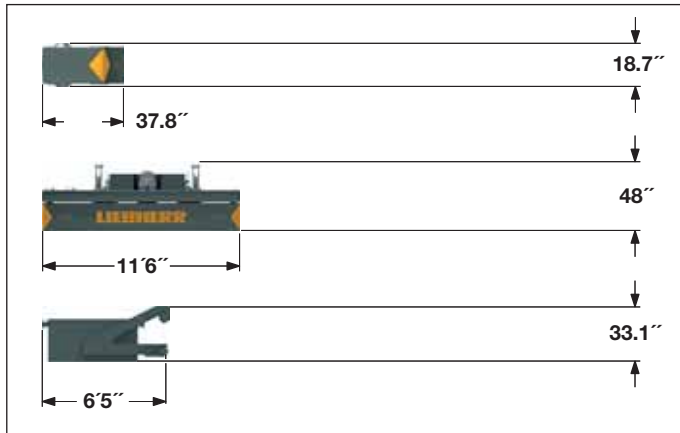
Width	54.7 inch
Weight*	2,120 lbs

### Luffing jib foot with A-frames (No. 1309.22)

Width	57"
Weight*	9,810 lbs

# Transport dimensions and weights

## Counterweight



### Counterweight **10 x**

Width	33.5 inch
Weight	3,310 lbs

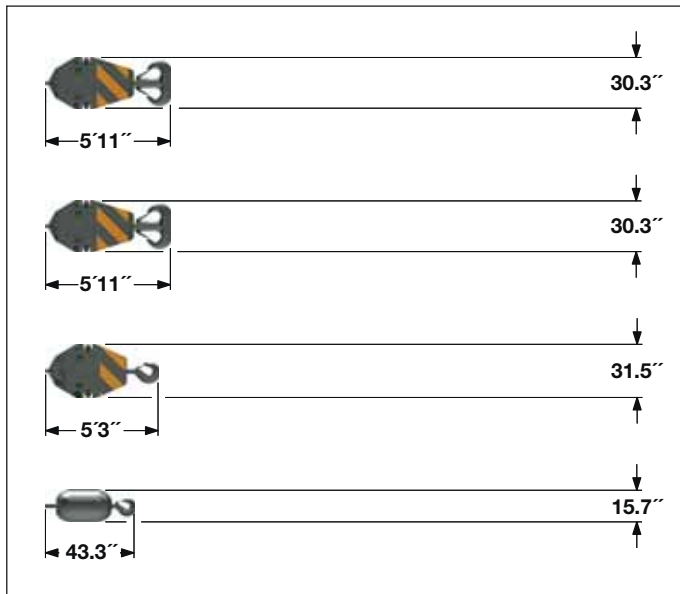
### Counterweight **1 x**

Width	41.3 inch
Weight	38,140 lbs

### Carbody counterweight **2 x**

Width	5'5"
Weight	16,535 lbs

## Hooks



### 220,500 lbs hook block - 5 sheaves

Width	21.3	25.2	27.6 inch
Weight	2,870	3,970	5,070 lbs

### 176,400 lbs hook block - 3 sheaves

Width	14.2	18.1	22.1 inch
Weight	2,205	3,310	4,410 lbs

### 88,200 lbs hook block - 1 sheave

Width	11.8	15.7	19.7 inch
Weight	1,545	2,425	3,310 lbs

### 27,600 lbs single hook

Width	15.7 inch
Weight	1,325 lbs

# Technical description



## Engine

Power rating according to ISO 9249, 270 kW (362 hp) at 2000 rpm  
Engine type ———— Liebherr D 936 A7 SCR  
Fuel tank ———— 211 gal capacity with continuous level indicator and reserve warning  
Engine complies with NRMM exhaust certification EPA/CARB Tier 4i or 97/68 EC Stage IIIB.



## Hydraulic system

A double axial displacement pump supplies the open loop hydraulic system, allowing all functions to be operated simultaneously. To minimize peak pressure an automatic working pressure cut-off is integrated in the pump.  
All filters are electronically monitored.  
The use of synthetic environmentally friendly (biodegradable) oils is possible.  
Working pressure ———— max. 350 bar  
Oil tank capacity ———— 650 l



## Luffing jib winch

Line pull ———— max. 23,605 lbf  
Rope diameter ———— 20 mm  
Jib luffing ———— 46 sec. from 15° to 78°



## Boom winch

Line pull ———— max. 28,325 lbf  
Rope diameter ———— 20 mm  
Boom up ———— 44 sec. from 15° to 86°



## Swing

Consists of rollerbearing with external teeth, swing drive with fixed axial piston hydraulic motor, spring loaded and hydraulically released multi-disc holding brake, planetary gearbox and pinion.  
Both swing modes are possible – speed control or free swing.  
A multi-disc holding brake acts automatically at zero swing motion.  
Swing speed from 0 – 1.8 rpm continuously variable.



## Main winches

Line pull (1st layer) ———— max. 39,345 lbf  
Line pull (7th layer) ———— 26,980 lbf  
Rope diameter ———— 26 mm  
Drum diameter ———— 22.8 inch  
Rope speed ———— 0 – 446 ft/min  
Rope capacity in 7 layers ———— 1,604 ft  
The winches are outstanding in their compact design and easy assembly.  
Propulsion is via a planetary gearbox in an oil bath.  
Load support by the hydraulic system; additional safety factor provided by a spring loaded, multi-disc holding brake.  
The main winches use pressure controlled, variable flow hydraulic motors. This system features sensors that automatically adjust oil flow to provide max. winch speed depending on load.  
Option – winch with freetail system:  
Clutch and braking functions on the freetail system are provided by a compact designed, low wear and maintenance free multi-disc brake.



## Crawlers

Propulsion through axial piston motor, hydraulically released spring loaded multi-disc brake, crawler tracks, hydraulic chain tensioning device.  
Track pads ———— 35.4 inch  
Drive speed ———— 0 – 0,8 mph



## Control

The heart of the hydraulic crawler cranes is the Liebherr control system which has been developed and manufactured in-house.  
It includes all control and monitoring functions and is designed to withstand extreme environmental conditions and heavy duty construction tasks. Complete machine operating data as well as warning signals and irregularities are clearly displayed on the high resolution monitor in the operator's cab in the required language.  
The electro-hydraulic proportional control allows several movements to be performed simultaneously. This ensures that all categories of loads can be positioned with utmost precision.  
Option:  
• GSM/GPRS telematics module



## Noise emission

Noise emissions correspond with 2000/14/EC directive on noise emission by equipment used outdoors.

# Boom combinations



Main boom No. 1311.xx — 223 ft

Max. combination — 272 ft

Max. combination — 279 ft

Main boom No. 1311.xx — 107 ft

Main boom No. 1311.xx — 174 ft

Tapered No. 1311/1008.xx — 40 ft

Fixed jib No. 0806.xx — 105 ft

Luffing jib No. 1008.xx — 125 ft



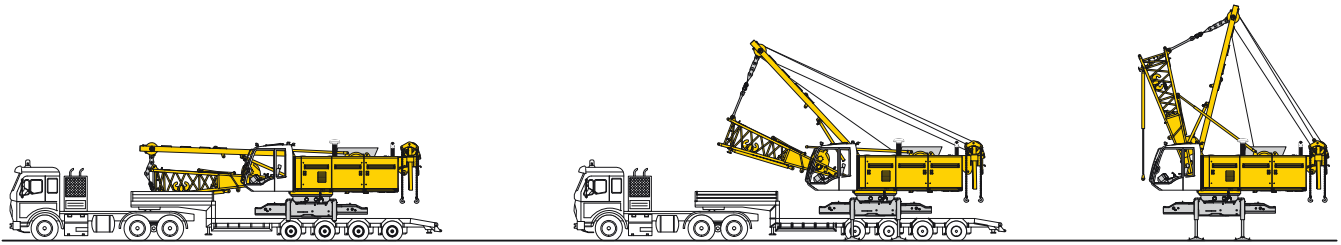
# Boom combinations



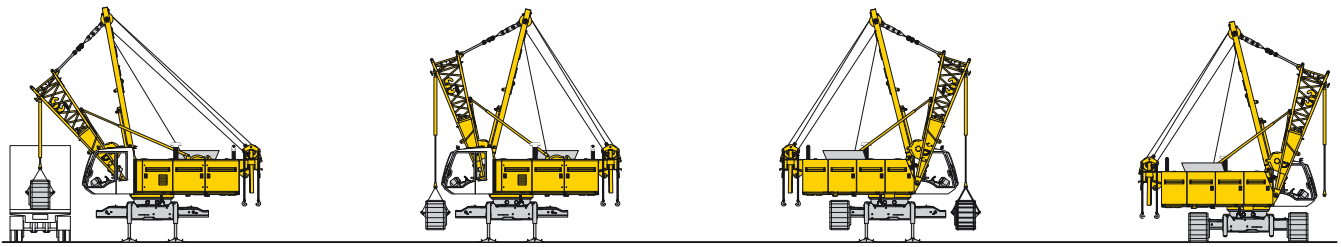
Max. combination	—————	328 ft
Main boom	No. 1311.xx	125 ft
Luffing jib	No. 1008.xx	203 ft
Main boom	No. 1311.xx	134 ft
Luffing jib	No. 1008.xx	144 ft

Max. combination	—————	334 ft
Main boom	No. 1311.xx	115 ft
Luffing jib	No. 1309.xx	219 ft
Main boom	No. 1311.xx	125 ft
Luffing jib	No. 1309.xx	151 ft

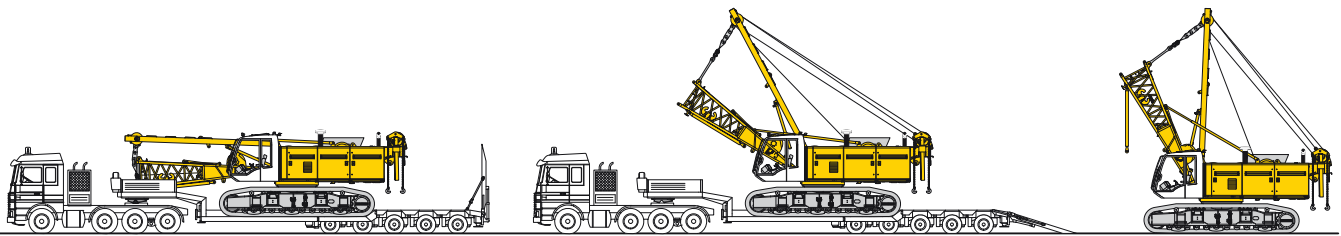
# Self assembly system



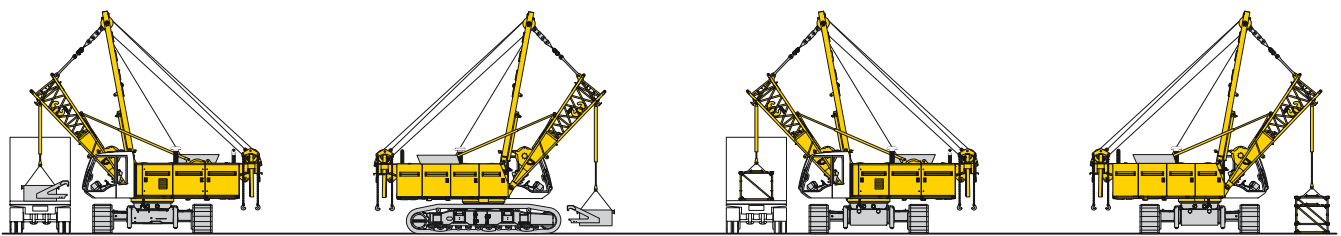
Unloading of basic machine (option)



Unloading and assembly of crawlers

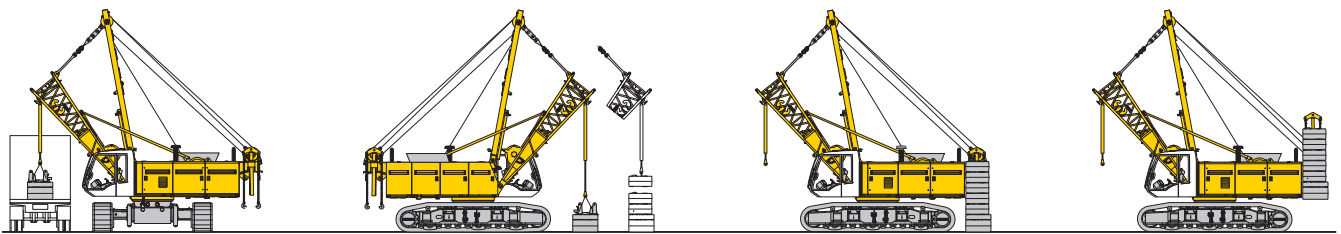


Unloading of basic machine (standard)



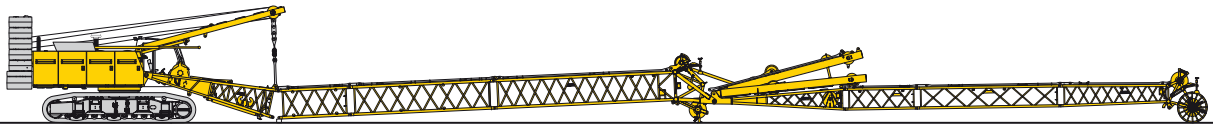
Unloading and assembly of carbody counterweight

Unloading and assembly of boom

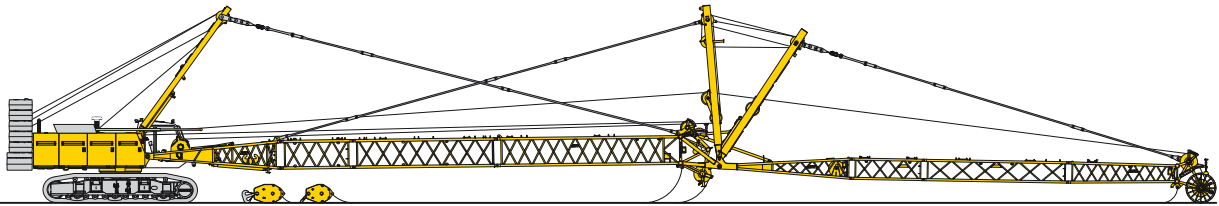


Unloading and assembly of counterweight

# Erecting of main boom to working position



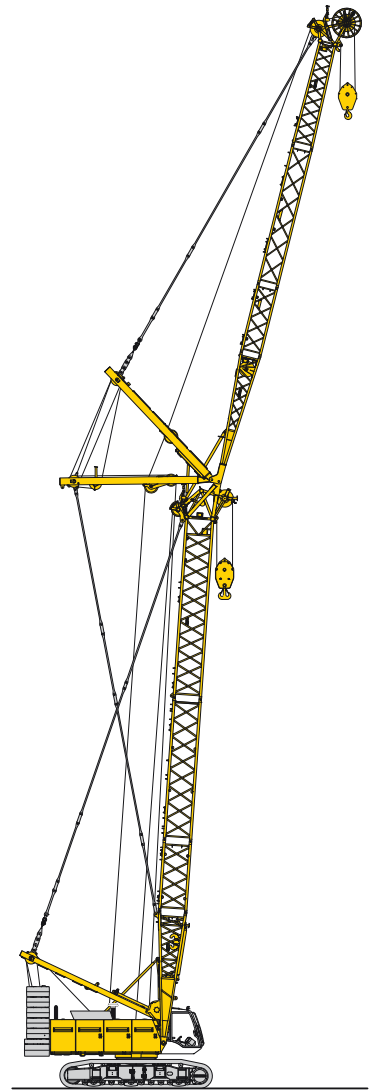
Assembly of boom



Reeving of hoist and luffing jib ropes



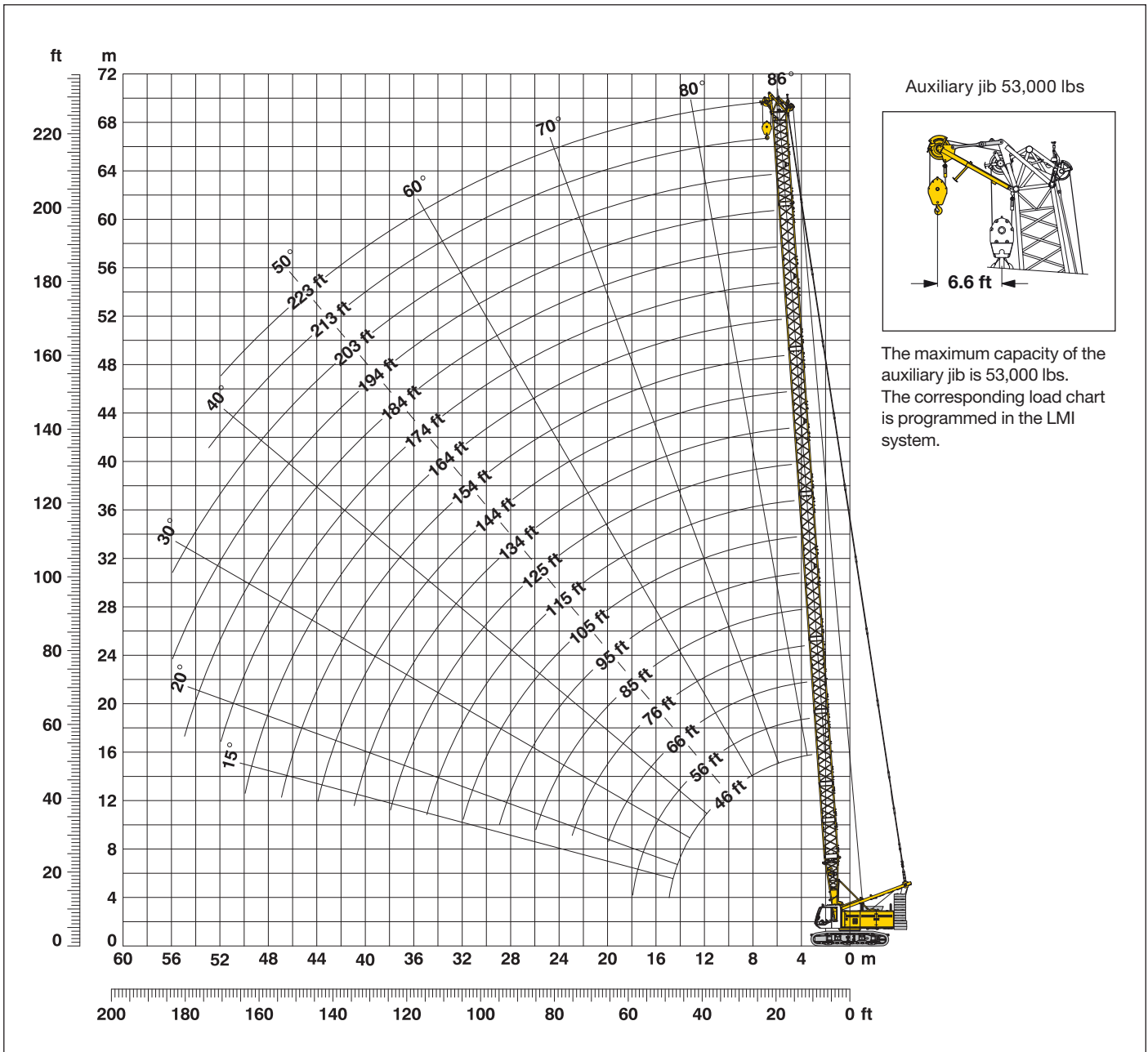
Erecting of main boom and luffing jib



Working position

# Working range - main boom (No. 1311.xx) 86° - 15°

## 71,200 lbs counterweight and 33,100 lbs



### Main boom configuration (Table 1 – No. 1311.xx)

Configuration for boom lengths (46 ft - 223 ft)

Boom foot	Length*	Amount of boom extensions																			
		18 ft	28 ft	38 ft	48 ft	58 ft	68 ft	78 ft	88 ft	98 ft	108 ft	118 ft	128 ft	138 ft	148 ft	158 ft	168 ft	178 ft	188 ft	198 ft	
18 ft	18 ft	1	1	1	1	1	1	1	1	1	1	1	1	1	1	1	1	1	1	1	1
10 ft*	10 ft*		1		1		1		1		1		1		1		1		1		1
20 ft*	20 ft*			1	1	2	2	1	1	2	2	1	1	2	2	1	2	2	1	1	2
40 ft*	40 ft*				1	1	1	1	1	1	1	2	2	2	2	3	3	3	3	3	3
28 ft	28 ft	1	1	1	1	1	1	1	1	1	1	1	1	1	1	1	1	1	1	1	1
Boom length (ft)		46	56	66	76	85	95	105	115	125	134	144	154	164	174	184	194	203	213	223	

\*Actual lengths of boom sections are metric (e.g. 3 m, 6 m, 8.5 m, 12 m). The figures shown above are approximate conversions to feet.

# Lift chart for main boom (No. 1311.xx)

Capacities in 1000 lbs for boom lengths 46 ft - 223 ft - with 26,980 LBS winches  
71,200 lbs counterweight and 33,100 lbs carbody counterweight

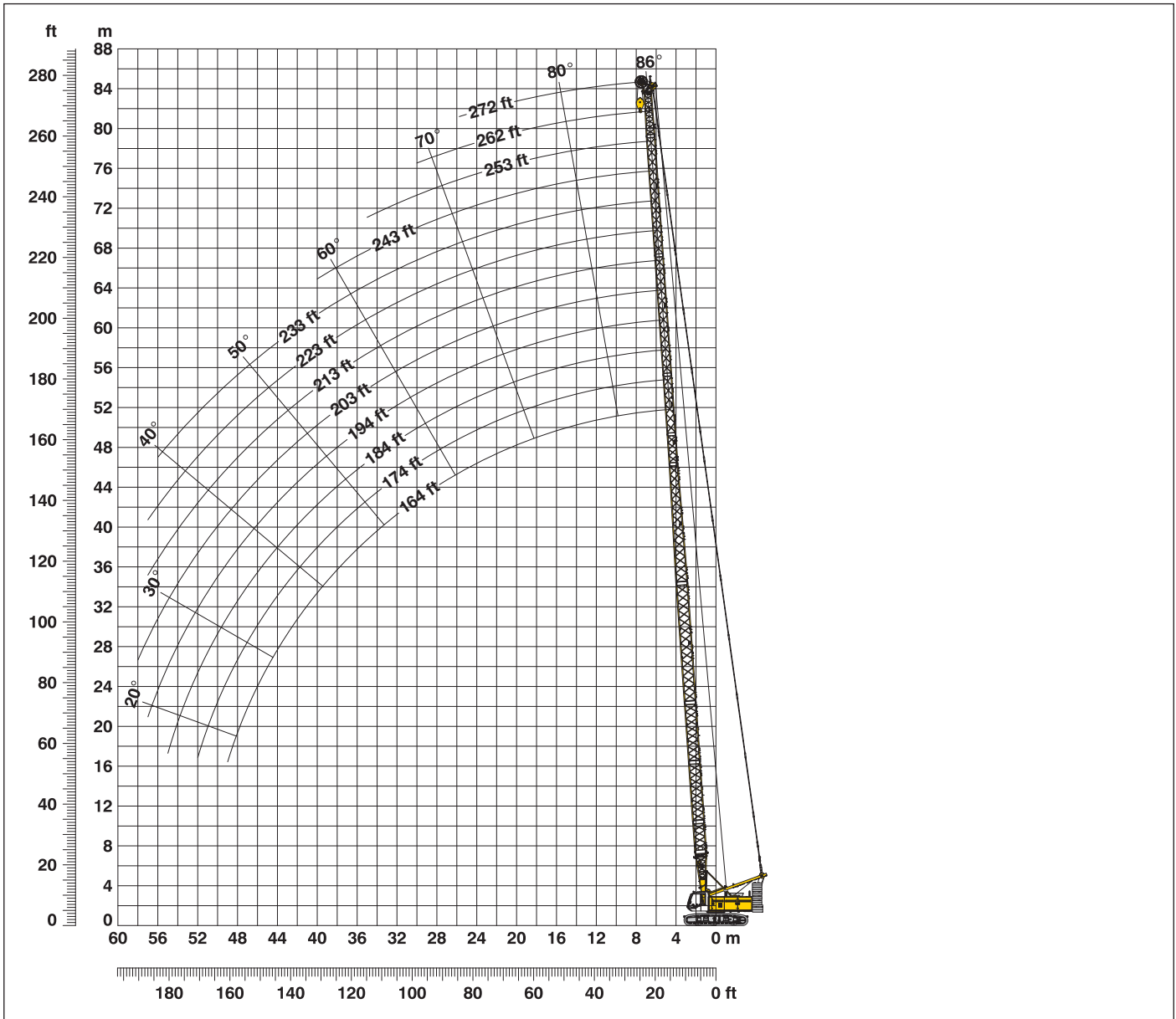
Radius	Boom length in (ft)										Radius
	46	66	85	105	125	144	164	184	203	223	
(ft)	lbs	lbs	lbs	lbs	lbs	lbs	lbs	lbs	lbs	lbs	(ft)
13			211,1								13
15	230,3	223,1	202,1	147,8							15
20	146,2	146,5	146,6	141,8	110,5	80,8	62,1	46,3			20
25	104,1	104,3	104,2	104,2	99,8	79,7	61,2	45,6	36,9	30,1	25
30	80,3	80,4	80,3	80,3	80,0	78,5	60,5	44,9	36,3	29,2	30
35	64,9	65,1	65,0	64,9	64,6	64,3	59,9	44,0	35,3	28,4	35
40	54,2	54,4	54,2	54,1	53,8	53,6	53,2	43,4	34,5	27,6	40
45	46,2	46,5	46,3	46,2	45,9	45,6	45,2	42,0	33,8	26,9	45
50	26,6	40,5	40,3	40,2	39,8	39,5	39,1	38,7	32,7	26,2	50
60		31,7	31,6	31,4	31,1	30,8	30,3	29,9	29,5	24,7	60
70			25,7	25,6	25,2	24,9	24,5	24,1	23,7	23,0	70
80			21,3	21,2	20,8	20,5	20,1	19,8	19,3	18,8	80
85			19,5	19,4	19,1	18,8	18,3	18,0	17,5	17,0	85
90				17,9	17,5	17,2	16,8	16,4	16,0	15,5	90
105				14,1	13,8	13,5	13,1	12,7	12,2	11,7	105
110					12,8	12,5	12,1	11,7	11,2	10,7	110
120					11,0	10,8	10,3	10,0	9,5	9,0	120
125					10,2	10,0	9,6	9,2	8,7	8,2	125
130						9,3	8,8	8,5	8,0	7,5	130
140						8,0	7,6	7,2	6,8	6,2	140
145						7,4	7,0	6,7	6,2	5,7	145
150							6,5	6,2	5,7	5,2	150
160							5,5	5,2	4,7	4,2	160
170								4,4	3,9	3,4	170
180								3,6	3,2	2,7	180
190									2,5	2,0	190
195									2,2		195

TLT 9833240 M 118422 Offiziell

Above lift chart is for reference only. For actual lift duty please refer to lift chart in operator's cab or manual.

# L-boom high reach (No. 1311/1008.xx) **164 ft - 272 ft**

**Working range 86° - 15°**



## L-boom configuration with 107 ft main boom (No. 1311.xx/1008.xx)

Configuration for L-boom lengths (164 ft - 272 ft)

	Length*	Amount of boom and luffing jib extensions											
		1	1	1	1	1	1	1	1	1	1	1	1
Boom foot	18 ft	1	1	1	1	1	1	1	1	1	1	1	1
Boom insert	10 ft*	1	1	1	1	1	1	1	1	1	1	1	1
Boom insert	20 ft*	2	2	2	2	2	2	2	2	2	2	2	2
Boom insert	40 ft*	1	1	1	1	1	1	1	1	1	1	1	1
Tapered	40 ft*	1	1	1	1	1	1	1	1	1	1	1	1
Luffing insert	10 ft*		1		1		1		1		1		1
Luffing insert	20 ft*			1	1		1		1		1		1
Luffing insert	40 ft*					1	1	1	1	2	2	2	2
Luffing jib head	18 ft	1	1	1	1	1	1	1	1	1	1	1	1
Max. L-boom length (ft)		164	174	184	194	203	213	223	233	243	253	262	272

\*Actual lengths of boom sections are metric (e.g. 3 m, 6 m, 12 m). The figures shown above are approximate conversions to feet.

# Lift chart for L-boom (No. 1311/1008.xx)

## Main boom length 107 ft

Capacities in 1000 lbs 71,200 lbs counterweight and 33,100 lbs carbody counterweight				
Radius	L-boom length in (ft)			
	164	203	243	272
(ft)	lbs	lbs	lbs	lbs
17	62,3			
20	62,0			
25	61,0	34,2	18,5	12,1
30	60,0	33,0	17,6	11,7
40	54,5	30,4	16,0	10,6
50	40,5	27,9	14,5	9,4
60	31,7	25,6	13,3	8,4
70	25,9	23,7	12,1	7,6
80	21,5	21,2	11,2	6,9
90	18,2	18,0	10,3	6,3
100	15,6	15,4	9,6	5,8
110	13,6	13,3	8,8	5,4
120	11,8	11,6	8,1	4,9
130	10,4	10,1	7,6	4,5
140	9,1	8,9	7,1	4,2
150	8,0	7,8	6,7	3,8
160	7,1	6,9	6,4	3,6
170		6,1	5,7	3,3
180		5,3	4,9	3,1
190		4,7	4,3	2,9
200		4,1	3,7	2,7
210			3,2	2,6
220			2,7	2,3
225			2,5	2,1
230			2,3	
235			2,0	

TLT 9833240 M 118422 Offiziell

## Main boom length 146 ft

Capacities in 1000 lbs 71,200 lbs counterweight and 33,100 lbs carbody counterweight				
Radius	L-boom length in (ft)			
	203	223	243	272
(ft)	lbs	lbs	lbs	lbs
20.2	37,8			
25	37,4	29,7	23,5	15,7
30	36,7	28,6	22,7	15,2
40	35,7	26,9	21,2	14,1
50	34,0	25,1	19,7	13,1
60	31,0	23,5	18,4	11,3
70	25,1	22,2	16,8	10,2
80	20,7	20,4	15,6	9,4
90	17,4	17,2	14,6	8,6
100	14,8	14,6	13,8	8,0
110	12,7	12,5	12,3	7,5
120	11,0	10,8	10,7	6,9
130	9,5	9,3	9,2	6,4
140	8,3	8,1	8,0	6,0
150	7,2	7,0	6,9	5,7
160	6,3	6,1	6,0	5,4
170	5,5	5,3	5,2	4,7
180	4,7	4,6	4,5	4,0
185	4,4	4,2	4,1	3,7
190	4,1	3,9	3,8	3,4
195	3,8	3,6	3,5	3,1
200	3,5	3,3	3,2	2,8
205		3,1	3,0	2,5
210		2,8	2,7	2,2
215		2,5	2,4	2,0
220		2,3	2,2	

TLT 9833240 M 118422 Offiziell

Above lift chart is for reference only. For actual lift duty please refer to lift chart in operator's cab or manual.

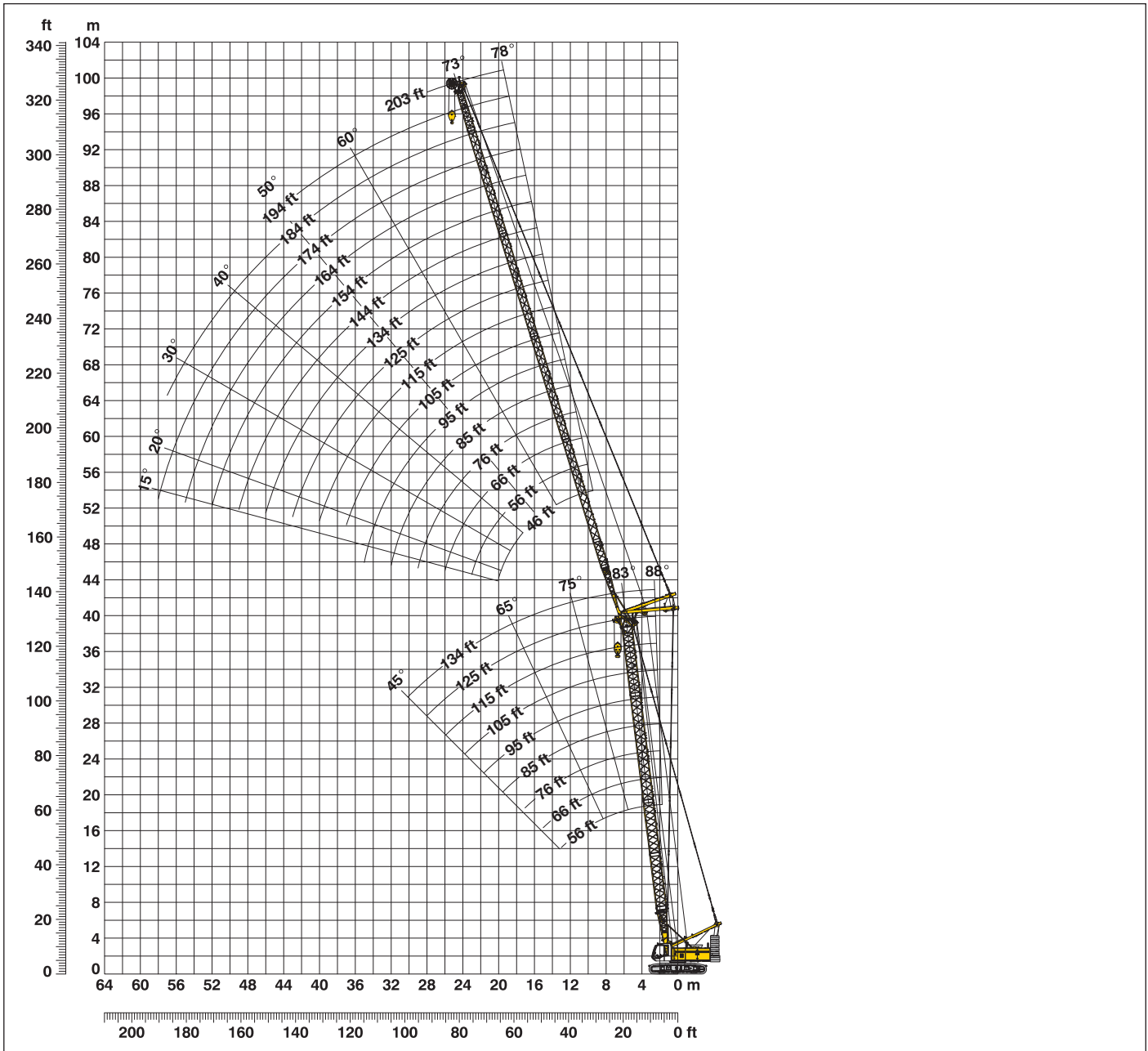
## L-boom configuration with 146 ft main boom (No. 1311.xx/1008.xx)

Configuration for L-boom lengths (203 m - 272 ft)									
	Length*	Amount of boom and luffing jib extensions							
Boom foot	18 ft	1	1	1	1	1	1	1	1
Boom insert	10 ft*	1	1	1	1	1	1	1	1
Boom insert	20 ft*	2	2	2	2	2	2	2	2
Boom insert	40 ft*	2	2	2	2	2	2	2	2
Tapered	40 ft*	1	1	1	1	1	1	1	1
Luffing insert	10 ft*		1		1		1		1
Luffing insert	20 ft*			1	1			1	1
Luffing insert	40 ft*					1	1	1	1
Luffing jib head	18 ft	1	1	1	1	1	1	1	1
Max. L-boom length (ft)		203	213	223	233	243	253	262	272

\*Actual lengths of boom sections are metric (e.g. 3 m, 6 m, 12 m). The figures shown above are approximate conversions to feet.

# Working range - luffing jib (No. 1008.xx) 78° - 15°

Main boom 88° - 45°



## Boom configuration for main boom lengths (56 ft - 134 ft) – see table 1 on page 12

### Jib configuration for jib lengths (46 ft - 203 ft)

	Length*	Amount of luffing jib extensions																	
Luffing jib foot	18 ft	1	1	1	1	1	1	1	1	1	1	1	1	1	1	1	1	1	1
Luffing jib insert	10 ft*	1		1		1		1		1		1		1		1		1	
Luffing jib insert	20 ft*		1	1		1		1		1		1		1		1		1	
Luffing jib insert	40 ft*				1	1	1	1	2	2	2	2	3	3	3	3	3	3	3
Luffing jib head	18 ft*	1	1	1	1	1	1	1	1	1	1	1	1	1	1	1	1	1	1
Luffing jib length in (ft)		46	56	66	76	85	95	105	115	125	134	144	154	164	174	184	194	203	

\*Actual lengths of boom sections are metric (e.g. 3 m, 6 m, 12 m). The figures shown above are approximate conversions to feet.



# Lift chart - luffing jib (No. 1008.xx)

## Main boom 88°

### Main boom 56 ft

Radius	Jib length in (ft)							
	46	75	95	115	144	164	184	203
(ft)	lbs	lbs	lbs	lbs	lbs	lbs	lbs	lbs
19.4	104,9							
30	85,4	68,2	48,6					
35	69,7	64,0	47,3	35,5				
45	50,5	50,5	44,0	34,6	22,0	16,6		
50	44,2	44,3	41,9	34,2	21,7	16,2	12,1	
60		35,4	35,2	32,7	20,9	15,4	11,6	8,3
70		29,3	29,1	28,8	20,0	14,7	10,9	7,7
80		24,7	24,7	24,5	19,3	13,9	10,4	7,3
90			21,3	21,1	18,6	13,3	9,8	6,7
100			18,6	18,4	17,9	12,7	9,4	6,3
120				14,4	14,1	11,8	8,7	5,6
145					10,8	10,5	8,1	4,9
165						8,4	7,4	4,6
185							6,2	4,4
205								4,1

### Main boom 76 ft

Radius	Jib length in (ft)							
	46	75	95	115	144	164	184	203
(ft)	lbs	lbs	lbs	lbs	lbs	lbs	lbs	lbs
20.1	102,5							
35	69,7	57,8	42,1	31,4				
45	50,6	50,5	40,1	30,5	20,2	15,5		
55		39,4	37,3	29,5	19,6	15,0	11,1	8,2
60		35,4	35,2	29,0	19,3	14,6	10,9	7,9
70		29,3	29,1	27,9	18,7	14,0	10,3	7,5
80		24,8	24,6	24,5	18,2	13,3	9,9	7,0
100			18,5	18,4	17,1	12,2	9,2	6,2
120				12,5	14,1	11,4	8,4	5,5
140					11,3	10,9	8,0	4,9
145					10,7	10,5	7,9	4,8
160						9,0	7,6	4,6
165						8,6	7,4	4,5
185							6,5	4,3
205								4,1

### Main boom 95 ft

Radius	Jib length in (ft)							
	46	75	95	115	144	164	184	203
(ft)	lbs	lbs	lbs	lbs	lbs	lbs	lbs	lbs
20.8	77,8							
30	71,8	48,2						
35	68,2	46,7	35,6					
40	58,7	45,2	34,8	27,2				
45	50,6	43,7	34,1	26,6	18,3			
50	44,3	42,0	33,0	26,1	18,0	14,0	10,5	
55	24,4	39,4	32,2	25,5	17,6	13,8	10,3	7,7
60		35,4	31,1	24,9	17,4	13,5	10,1	7,5
80		24,8	24,6	22,7	16,2	12,5	9,4	6,7
100			18,5	18,4	15,0	11,6	8,7	5,9
120				9,1	13,9	10,9	8,1	5,3
150					7,0	9,9	7,4	4,6
165						8,5	7,1	4,4
185							6,6	4,2
205								4,2

### Main boom 115 ft

Radius	Jib length in (ft)							
	46	75	95	115	144	164	184	203
(ft)	lbs	lbs	lbs	lbs	lbs	lbs	lbs	lbs
21.5	58,1							
30	53,8	38,4						
35	51,2	36,9	29,2					
40	48,8	35,7	28,4	22,7				
45	46,3	34,4	27,7	22,3	15,9			
50	44,2	33,1	26,8	21,8	15,6	12,6		
55	19,1	31,7	26,1	21,4	15,3	12,4	9,2	6,9
60		30,7	25,2	20,8	15,0	12,2	9,1	6,7
80		24,7	22,0	18,6	13,9	11,4	8,5	6,1
100			18,1	16,6	12,9	10,6	7,9	5,6
120				14,3	11,7	9,9	7,4	5,0
150					5,8	8,9	6,9	4,4
170						5,7	6,6	4,1
185							6,4	4,0
205								4,0

### Main boom 125 ft

Radius	Jib length in (ft)							
	46	75	95	115	144	164	184	203
(ft)	lbs	lbs	lbs	lbs	lbs	lbs	lbs	lbs
22	50,2							
30	47,0	34,6						
35	44,2	33,4	27,0					
40	41,0	32,3	26,3	21,2				
45	38,3	31,0	25,6	20,8	14,8			
50	36,1	29,9	24,7	20,2	14,6	11,8		
55	17,5	28,6	24,0	19,8	14,3	11,6	8,8	6,5
60		27,7	23,2	19,2	14,0	11,4	8,6	6,4
80		23,7	20,2	17,2	12,9	10,6	8,0	5,8
100			17,4	15,3	11,9	9,9	7,5	5,3
120				13,7	10,8	9,2	6,9	4,8
150					6,0	8,2	6,5	4,3
170						5,0	6,3	4,0
185							6,1	3,9
205								3,8

### Main boom 134 ft

Radius	Jib length in (ft)					
	46	75	95	115	144	
(ft)	lbs	lbs	lbs	lbs	lbs	
22.3	45,2					
30	42,1	31,2				
35	39,4	30,1	24,7			
40	36,4	29,1	24,0	19,6		
45	33,8	27,9	23,4	19,2	13,9	
50	32,0	26,9	22,5	18,7	13,6	
55	16,0	25,8	21,9	18,2	13,4	
60		24,9	21,1	17,7	13,1	
80		21,6	18,4	15,7	12,1	
90			17,2	14,8	11,4	
100			16,5	13,9	10,9	
110				13,3	10,4	
120				12,9	9,9	
140					9,3	
150					6,3	

TLT 9833240 M 118422 Offiziell

Capacities in 1000 lbs with luffing jib (No. 1008.xx), 71,200 lbs counterweight + 33,100 lbs carbody counterweight. Above lift chart is for reference only. For actual lift duty and complete chart with all available configurations please refer to lift chart in operator's cab or manual.

# Lift chart - luffing jib (No. 1008.xx)

Main boom 83°

## Main boom 56 ft

Radius	Jib length in (ft)							
	46	75	95	115	144	164	184	203
(ft)	lbs	lbs	lbs	lbs	lbs	lbs	lbs	lbs
28.3	90,0							
40	57,1	56,9						
45	49,2	49,0	46,3					
50	43,1	43,0	42,7	35,1				
60		34,3	34,0	33,8	21,4			
65		31,1	30,8	30,6	21,0	15,5		
70		28,4	28,1	27,9	20,6	15,1	11,3	
80		24,1	23,9	23,6	19,8	14,3	10,7	7,5
85		22,3	22,1	21,9	19,4	13,9	10,4	7,3
105			16,9	16,7	16,2	12,7	9,5	6,3
125				13,2	12,8	11,9	8,8	5,6
150					9,8	9,5	8,1	4,9
170						7,8	7,4	4,6
190							6,1	4,4
210								4,2

## Main boom 75 ft

Radius	Jib length in (ft)							
	46	75	95	115	144	164	184	203
(ft)	lbs	lbs	lbs	lbs	lbs	lbs	lbs	lbs
30.7	79,7							
40	56,5	56,2						
50	42,6	42,4	41,4					
55	37,8	37,7	37,4	31,1				
60	33,9	33,9	33,6	30,8	20,0			
70		28,0	27,7	27,5	19,6	14,4		
75		25,8	25,5	25,3	19,2	14,2	10,6	
80		23,8	23,6	23,3	19,0	13,9	10,3	7,3
85		22,0	21,8	21,6	18,7	13,5	10,1	7,1
105			16,6	16,4	16,0	12,4	9,3	6,2
125				13,0	12,6	11,6	8,5	5,5
155					9,1	8,9	7,8	4,8
175						7,2	7,0	4,4
190							6,0	4,3
210								4,3

## Main boom 95 ft

Radius	Jib length in (ft)							
	46	75	95	115	144	164	184	203
(ft)	lbs	lbs	lbs	lbs	lbs	lbs	lbs	lbs
33.1	71,1							
45	48,0	47,7						
50	42,1	41,8	35,9					
55	37,4	37,2	35,3	27,3				
60	33,5	33,4	33,0	26,9				
65		30,3	29,9	26,5	18,1			
70		27,6	27,3	26,1	17,8	13,6		
80		23,4	23,2	22,9	17,4	13,2	9,8	7,0
90		20,1	19,9	19,7	16,9	12,6	9,4	6,6
110			12,1	15,1	14,7	11,7	8,7	5,9
130				9,2	11,6	11,0	8,1	5,3
155					8,9	8,7	7,6	4,7
175						7,0	6,8	4,4
195							5,5	4,3
215								4,1

## Main boom 115 ft

Radius	Jib length in (ft)							
	46	75	95	115	144	164	184	203
(ft)	lbs	lbs	lbs	lbs	lbs	lbs	lbs	lbs
35.5	56,8							
45	47,3	38,0						
50	41,5	37,1	29,2					
60	33,0	32,8	28,1	22,6				
65	29,8	29,8	27,5	22,2	15,7			
75		24,9	24,6	21,4	15,3	12,1		
80		23,0	22,7	20,9	15,1	11,9	8,9	
85		21,3	21,0	20,3	14,9	11,7	8,8	6,4
90		19,8	19,6	19,3	14,7	11,5	8,6	6,2
110			15,0	14,8	13,7	10,8	8,1	5,6
130				11,7	11,3	10,2	7,6	5,1
160					5,5	8,0	7,0	4,4
180						4,6	6,2	4,1
195							5,3	4,0
215								3,9

## Main boom 125 ft

Radius	Jib length in (ft)							
	46	75	95	115	144	164	184	203
(ft)	lbs	lbs	lbs	lbs	lbs	lbs	lbs	lbs
36.7	49,6							
50	41,1	33,5						
55	36,5	32,4	26,4					
60	32,7	31,5	25,9	20,9				
65	29,5	29,5	25,2	20,6				
70		26,9	24,6	20,1	14,5			
75		24,7	23,8	19,8	14,3	11,4		
80		22,8	22,5	19,3	14,1	11,2	8,5	
85		21,1	20,8	18,8	13,8	11,0	8,3	6,1
110			14,9	14,7	12,7	10,2	7,7	5,4
130				11,6	11,2	9,6	7,2	4,9
160					8,1	7,8	6,7	4,3
180						4,2	6,1	4,0
200							3,8	4,0
215								3,8

## Main boom 134 ft

Radius	Jib length in (ft)					
	46	75	95	115	144	
(ft)	lbs	lbs	lbs	lbs	lbs	
37.9	43,8					
50	39,2	30,1				
55	36,2	29,2	24,1			
60	32,4	28,4	23,5	19,3		
65	29,3	27,2	22,9	18,9		
70		26,4	22,3	18,5	13,6	
80		22,5	21,0	17,7	13,2	
90		19,4	19,2	16,8	12,8	
95		18,0	17,9	16,4	12,5	
100			16,7	16,0	12,3	
115			7,9	13,6	11,6	
120				12,9	11,3	
135				6,2	10,4	
140					9,9	
160					8,0	

TLT 9833240 M 118422 Offiziell

Capacities in 1000 lbs with luffing jib (No. 1008.xx), 71,200 lbs counterweight + 33,100 lbs carbody counterweight. Above lift chart is for reference only. For actual lift duty and complete chart with all available configurations please refer to lift chart in operator's cab or manual.

# Lift chart - luffing jib (No. 1008.xx)

## Main boom 75°

### Main boom 56 ft

Radius	Jib length in (ft)							
	46	75	95	115	144	164	184	203
(ft)	lbs	lbs	lbs	lbs	lbs	lbs	lbs	lbs
41.9	51,4							
55	36,6	36,3						
65	29,6	29,6	29,2					
85		21,2	20,9	20,6	19,8			
95		18,4	18,2	17,9	17,3	13,7		
105			16,0	15,7	15,2	13,1	9,8	
110			15,0	14,8	14,2	12,8	9,5	6,4
120				13,1	12,6	12,2	9,1	6,0
130				11,7	11,3	11,0	8,8	5,6
140					10,1	9,8	8,5	5,3
160					8,2	7,9	7,6	4,9
170						7,2	6,8	4,7
180						6,5	6,1	4,5
200							5,0	4,4
215								3,9

### Main boom 75 ft

Radius	Jib length in (ft)							
	46	75	95	115	135	164	184	203
(ft)	lbs	lbs	lbs	lbs	lbs	lbs	lbs	lbs
47	43,1							
60	31,8	31,5						
70	26,3	26,1	25,7					
80		22,1	21,7	21,4				
85		20,5	20,1	19,8	19,4			
100		16,6	16,4	16,1	15,7	13,0		
110			14,4	14,2	13,8	12,5	9,3	
115			13,6	13,3	13,0	12,3	9,1	6,2
120				12,6	12,2	11,7	8,9	6,0
135				10,6	10,3	9,8	8,4	5,5
140					9,8	9,3	8,3	5,3
155					8,3	7,9	7,5	5,0
185						5,8	5,4	4,4
205							4,4	4,0
220								3,4

### Main boom 95 ft

Radius	Jib length in (ft)							
	46	75	95	115	144	164	184	203
(ft)	lbs	lbs	lbs	lbs	lbs	lbs	lbs	lbs
52.1	36,5							
65	27,8	27,4						
75	23,2	23,0	22,5					
85		19,6	19,3	18,9				
95		17,0	16,7	16,4	15,7			
105		14,9	14,6	14,3	13,7	12,3		
115			13,0	12,7	12,1	11,7	8,8	
120			12,2	11,9	11,4	11,0	8,7	5,9
130				10,7	10,1	9,8	8,4	5,6
140				9,6	9,0	8,7	8,1	5,3
160					7,3	7,0	6,6	4,8
170					6,6	6,3	5,9	4,6
190						5,1	4,7	4,3
210							3,7	3,4
225								2,8

### Main boom 115 ft

Radius	Jib length in (ft)							
	46	75	95	115	144	164	184	203
(ft)	lbs	lbs	lbs	lbs	lbs	lbs	lbs	lbs
57.2	31,2							
70	24,3	23,8						
80	20,5	20,2	19,8					
90		17,4	17,0	16,7				
100		15,2	14,8	14,5	13,8			
110		13,3	13,1	12,7	12,1	11,1		
120			11,6	11,3	10,7	10,2	8,0	
125			10,9	10,7	10,1	9,6	7,9	5,5
140				9,0	8,5	8,1	7,3	5,1
145				8,5	8,0	7,7	7,0	5,0
160					6,8	6,5	5,9	4,7
175					5,8	5,5	5,0	4,3
195						4,4	4,0	3,4
215							3,2	2,7
230								2,2

### Main boom 125 ft

Radius	Jib length in (ft)							
	46	75	95	115	144	164	184	203
(ft)	lbs	lbs	lbs	lbs	lbs	lbs	lbs	lbs
59.8	28,9							
75	21,8	21,3						
80	20,1	19,7						
85		18,2	17,8					
90		17,0	16,5	16,1				
105		13,9	13,5	13,2	12,3			
110		13,0	12,7	12,3	11,6	10,5		
115			11,9	11,6	10,9	10,1		
130			10,0	9,7	9,1	8,5	7,5	5,2
140				8,7	8,1	7,6	6,8	5,0
150				7,8	7,3	6,8	6,1	4,8
175					5,5	5,2	4,6	3,9
195						4,2	3,7	3,0
215							2,9	2,3
225								2,0

### Main boom 134 ft

Radius	Jib length in (ft)					
	46	75	95	115	144	
(ft)	lbs	lbs	lbs	lbs	lbs	
62.3	26,7					
75	21,2	20,7				
85	18,0	17,7	17,2			
95		15,3	14,9	14,5		
105		13,4	13,1	12,7	11,6	
110		12,6	12,3	11,9	10,9	
115		11,8	11,5	11,2	10,3	
120			10,9	10,6	9,7	
125			10,3	9,9	9,1	
130			9,7	9,4	8,6	
140				8,4	7,8	
150				7,5	7,0	
160					6,2	
170					5,6	
180					5,0	

TLT 9833240 M 118422 Offiziell

Capacities in 1000 lbs with luffing jib (No. 1008.xx), 71,200 lbs counterweight + 33,100 lbs carbody counterweight. Above lift chart is for reference only. For actual lift duty and complete chart with all available configurations please refer to lift chart in operator's cab or manual.

# Lift chart - luffing jib (No. 1008.xx)

## Main boom 65°

### Main boom 56 ft

Radius (ft)	Jib length in (ft)							
	46 lbs	75 lbs	95 lbs	115 lbs	144 lbs	164 lbs	184 lbs	203 lbs
57.8	32,4							
75	23,4	23,1						
90		18,5	18,1					
100		16,1	15,8	15,5				
115			13,1	12,8	12,2			
120			12,4	12,1	11,5			
140				9,7	9,2	8,8	8,4	
150					8,2	7,9	7,5	5,2
170					6,7	6,4	6,0	4,7
180						5,8	5,4	4,6
190						5,2	4,8	4,4
200							4,3	4,0
205							4,1	3,7
220								3,1
225								2,9

### Main boom 75 ft

Radius (ft)	Jib length in (ft)							
	46 lbs	75 lbs	95 lbs	115 lbs	144 lbs	164 lbs	184 lbs	203 lbs
66.2	25,8							
80	20,4							
85		18,5						
95		16,1	15,6					
110		13,2	12,9	12,6				
125			10,8	10,5	9,9			
130			10,2	9,9	9,3			
135				9,4	8,8	8,4		
150				8,0	7,4	7,1	6,7	
160					6,7	6,3	5,9	5,0
175					5,7	5,4	5,0	4,5
180						5,1	4,7	4,3
195						4,3	3,9	3,5
215							3,1	2,7
230								2,1

### Main boom 95 ft

Radius (ft)	Jib length in (ft)							
	46 lbs	75 lbs	95 lbs	115 lbs	144 lbs	164 lbs	184 lbs	203 lbs
74.5	20,7							
90	16,2							
95		14,8						
105		12,9	12,5					
115		11,4	11,1	10,6				
120		10,7	10,4	10,1				
135			8,8	8,5	7,8			
140			8,3	8,0	7,3			
145				7,6	6,9	6,5		
155				6,8	6,2	5,8	5,2	
165					5,5	5,2	4,6	3,8
180					4,7	4,3	3,8	3,1
185					4,4	4,1	3,6	2,9
205						3,2	2,8	2,2
225							2,1	

### Main boom 115 ft

Radius (ft)	Jib length in (ft)							
	46 lbs	75 lbs	95 lbs	115 lbs	144 lbs	164 lbs	184 lbs	203 lbs
82.8	16,6							
100	12,9	12,5						
115		10,4	9,9					
125		9,2	8,8	8,4				
140			7,4	7,1	6,3			
145			7,0	6,7	5,9			
155				6,0	5,3	4,6		
160				5,6	5,0	4,4		
165				5,3	4,7	4,1	3,4	
170					4,4	3,9	3,1	
175					4,2	3,6	2,9	2,2
180						3,9	3,4	2,7
195						3,2	2,8	2,2
200							2,7	
215							2,2	

### Main boom 125 ft

Radius (ft)	Jib length in (ft)						
	46 lbs	75 lbs	95 lbs	115 lbs	144 lbs	164 lbs	184 lbs
87	14,8						
105	11,5	11,0					
120		9,2	8,7				
130		8,1	7,8	7,4			
145			6,5	6,2	5,2		
150			6,1	5,8	4,9		
155				5,5	4,6	3,9	
160				5,2	4,4	3,7	
170				4,6	3,9	3,2	2,5
175					3,7	3,0	2,3
180					3,5	2,8	2,1
185					3,3	2,6	
190					3,1	2,5	
195					2,9	2,3	
200					2,7	2,1	

### Main boom 134 ft

Radius (ft)	Jib length in (ft)					
	46 lbs	75 lbs	95 lbs	115 lbs	144 lbs	
91.1	13,1					
105	10,9					
108		9,9				
120		8,6	8,1			
135		7,1	6,8	6,3		
150			5,7	5,3	4,1	
155			5,3	5,0	3,9	
160				4,7	3,7	
165				4,4	3,4	
170				4,2	3,2	
175				3,9	3,0	
180					2,8	
185					2,7	
190					2,5	
200					2,2	

TLT 9833240 M 118422 Offiziell

Capacities in 1000 lbs with luffing jib (No. 1008.xx), 71,200 lbs counterweight + 33,100 lbs carbody counterweight. Above lift chart is for reference only. For actual lift duty and complete chart with all available configurations please refer to lift chart in operator's cab or manual.

# Lift chart - luffing jib (No. 1008.xx)

## Main boom 45°

### Main boom 56 ft

Radius (ft)	Jib length in (ft)							
	46 lbs	75 lbs	95 lbs	115 lbs	144 lbs	164 lbs	184 lbs	203 lbs
84.4	17,9							
90	16,5							
110		12,3						
120		10,9						
125			10,0					
130			9,5					
135			8,9					
145				7,7				
155				6,9				
165					5,6			
185					4,5	4,2		
200						3,5	3,1	
205						3,3	2,9	
215							2,6	2,1
225							2,2	

### Main boom 75 ft

Radius (ft)	Jib length in (ft)						
	46 lbs	75 lbs	95 lbs	115 lbs	144 lbs	164 lbs	
98.3	12,9						
105	11,8						
125		8,9					
130		8,4					
140			7,1				
145			6,7				
150			6,4				
155				5,6			
160				5,4			
170				4,8			
180					3,6		
195					3,0	2,6	
200					2,8	2,5	
205						2,3	
210						2,1	

### Main boom 95 ft

Radius (ft)	Jib length in (ft)			
	46 lbs	75 lbs	95 lbs	115 lbs
112.2	9,0			
120	8,2			
140		6,1		
145		5,7		
155			4,7	
165			4,1	
170				3,5
185				2,9

### Main boom 115 ft

Radius (ft)	Jib length in (ft)		
	46 lbs	75 lbs	95 lbs
126.1	6,0		
130	5,8		
155		3,8	
160		3,5	
170			2,6
180			2,3

### Main boom 125 ft

Radius (ft)	Jib length in (ft)	
	46 lbs	75 lbs
133.1	4,7	
140	4,3	
160		2,8
165		2,6

### Main boom 134 ft

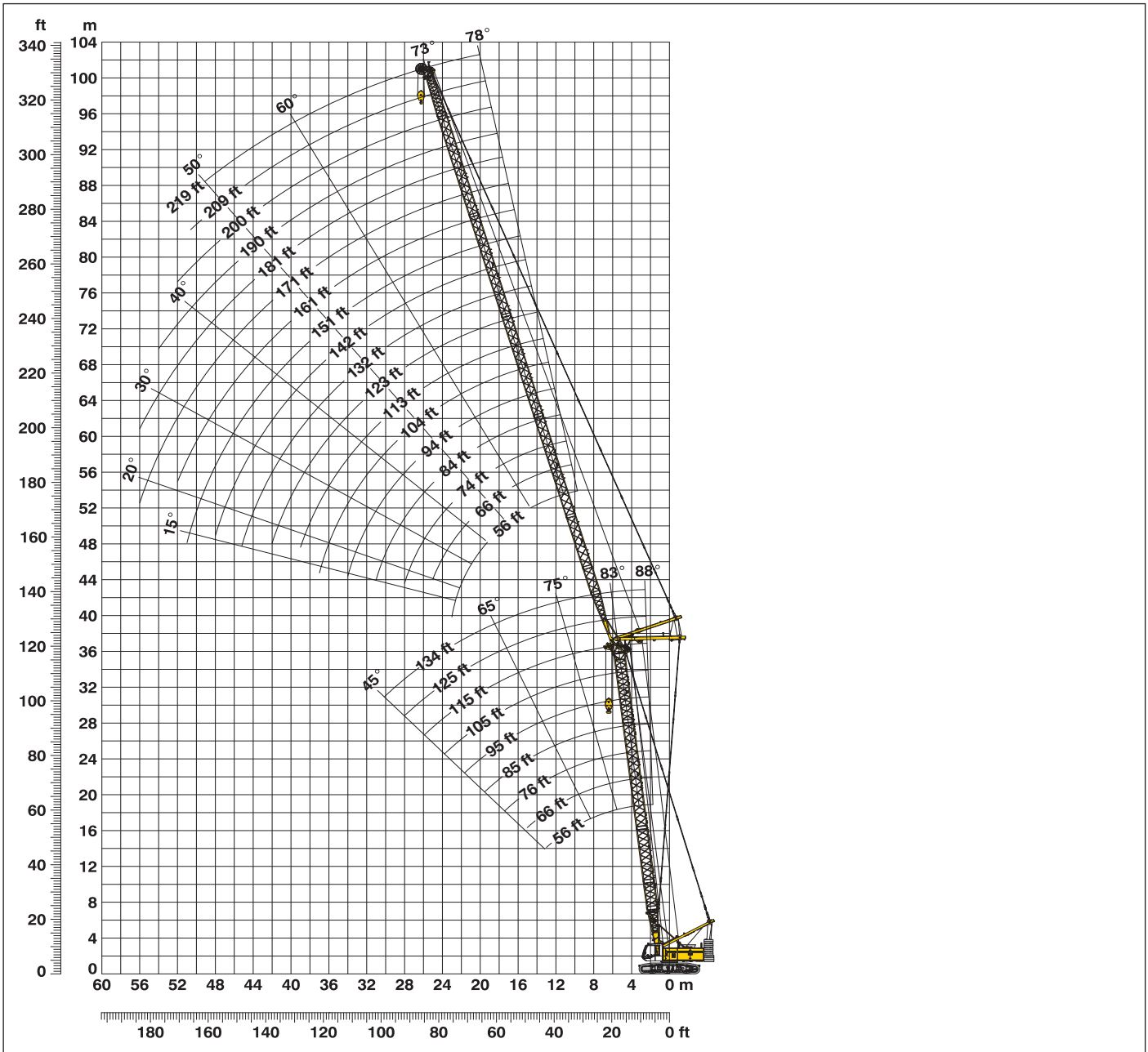
Radius (ft)	Jib length in (ft)
	46 lbs
140	3,4
145	3,2

TLT 9833240 M 118422 Offiziell

Capacities in 1000 lbs with luffing jib (No. 1008.xx), 71,200 lbs counterweight + 33,100 lbs carbody counterweight. Above lift chart is for reference only. For actual lift duty and complete chart with all available configurations please refer to lift chart in operator's cab or manual.

# Working range - luffing jib (No. 1309.xx) **78° - 15°**

## Main boom 88° - 45°



### Boom configuration for main boom lengths (56 ft - 135 ft) – see table 1 on page 12

### Jib configuration for jib lengths (56 ft - 219 ft)

	Length*	Amount of luffing jib extensions																	
Luffing jib foot	18 ft	1	1	1	1	1	1	1	1	1	1	1	1	1	1	1	1	1	1
Luffing jib insert	10 ft*		1	1	1	1	1	1	1	1	1	1	1	1	1	1	1	1	1
Luffing jib insert	20 ft*	1	1			1	1			1	1			1	1			1	1
Luffing jib insert	38 ft*			1	1	1	1	2	2	2	2	3	3	3	3	4	4	4	4
Luffing jib head	18 ft	1	1	1	1	1	1	1	1	1	1	1	1	1	1	1	1	1	1
Luffing jib length (ft)		56	66	74	84	94	104	113	123	132	142	151	161	171	181	190	200	209	219

\*Actual lengths of boom sections are metric (e.g. 3 m, 6 m, 11.7 m). The figures shown above are approximate conversions to feet.

# Lift chart - luffing jib (No. 1309.xx)

## Main boom 88°

### Main boom 56 ft

Radius	Jib length in (ft)							
	56	74	94	113	151	171	190	219
(ft)	lbs	lbs	lbs	lbs	lbs	lbs	lbs	lbs
21.5	104,9							
30	85,9	84,5	72,4					
35	70,1	69,9	68,2	55,8				
45	50,8	50,7	50,4	50,1	34,1			
50	44,5	44,4	44,2	43,9	33,7	27,2	22,2	
55	39,5	39,5	39,2	38,9	33,4	26,9	22,0	
60	35,4	35,4	35,2	34,9	33,0	26,6	21,7	16,1
70		29,2	29,0	28,8	28,1	26,1	21,2	15,4
80		24,7	24,6	24,3	23,7	23,3	20,8	14,7
100			18,4	18,2	17,6	17,3	16,9	13,6
115				15,1	14,5	14,2	13,8	12,9
155					9,2	8,9	8,6	8,1
170						7,6	7,3	6,8
190							5,9	5,3
220								3,7

### Main boom 75 ft

Radius	Jib length in (ft)							
	56	74	94	113	151	171	190	219
(ft)	lbs	lbs	lbs	lbs	lbs	lbs	lbs	lbs
22.1	96,4							
35	70,1	69,3	55,6	44,3				
45	50,8	50,7	50,4	42,5	28,7			
50	44,5	44,4	44,2	41,7	28,2	23,3		
60	35,4	35,4	35,2	34,9	27,3	22,6	18,8	14,3
70		29,3	29,0	28,7	26,5	22,0	18,3	13,9
80		24,7	24,6	24,3	23,7	21,3	17,8	13,4
100			18,4	18,2	17,6	17,2	16,8	12,7
115				15,1	14,5	14,2	13,8	12,1
140					10,9	10,5	10,2	9,6
155					9,2	8,9	8,6	8,0
160						8,4	8,1	7,6
175						7,2	6,9	6,4
190							5,9	5,3
220								3,7

### Main boom 95 ft

Radius	Jib length in (ft)							
	56	74	94	113	151	171	190	219
(ft)	lbs	lbs	lbs	lbs	lbs	lbs	lbs	lbs
22.8	71,5							
30	67,3	55,1						
35	63,7	53,0	43,4	36,1				
45	50,8	49,1	40,6	34,2	24,0			
55	39,5	39,5	37,7	32,2	23,1	19,4	16,4	
60	35,4	35,4	35,1	31,2	22,6	19,1	16,1	12,3
70		29,2	29,0	28,7	21,6	18,4	15,6	12,0
80		24,7	24,6	24,3	20,7	17,6	15,1	11,6
100			17,3	18,2	17,6	16,2	14,1	10,9
120				14,2	13,6	13,3	12,9	10,2
140					10,9	10,5	10,2	9,4
155					9,2	8,9	8,6	8,0
175						7,2	6,9	6,3
190							5,8	5,3
220								3,7

### Main boom 115 ft

Radius	Jib length in (ft)							
	56	74	94	113	151	171	190	219
(ft)	lbs	lbs	lbs	lbs	lbs	lbs	lbs	lbs
23.7	52,5							
30	49,8	41,6						
35	47,4	40,0	33,5					
40	45,0	38,5	32,6	27,6				
45	42,8	36,9	31,8	26,9	19,4			
50	40,7	35,2	30,3	26,2	19,0	16,2		
55	38,8	33,7	29,2	25,3	18,6	15,8	13,4	
60	35,3	32,4	27,9	24,4	18,2	15,5	13,2	10,2
80		24,6	23,7	21,2	16,5	14,2	12,3	9,5
100			18,3	18,2	14,7	12,9	11,3	8,9
120				13,8	13,2	11,8	10,3	8,3
155					9,1	8,9	8,6	7,2
175						7,2	6,9	6,2
190							5,8	5,2
220								3,6

### Main boom 125 ft

Radius	Jib length in (ft)					
	56	74	94	113	133	151
(ft)	lbs	lbs	lbs	lbs	lbs	lbs
24	46,5					
30	44,3	37,0				
40	40,2	34,3	29,2	25,0	21,0	
45	38,1	32,9	28,3	24,3	20,7	17,7
50	36,3	31,5	27,1	23,6	20,3	17,4
60	33,9	28,9	25,1	22,0	19,1	16,5
65	21,9	27,6	24,1	21,4	18,5	16,2
70		26,4	23,3	20,6	18,0	15,7
80		24,6	21,4	19,2	16,9	15,0
90			20,0	17,8	15,8	14,1
100			18,3	16,6	14,9	13,3
110				15,8	13,9	12,6
120				13,3	13,2	11,9
140					7,3	10,7
155						9,2

### Main boom 134 ft

Radius	Jib length in (ft)		
	74	84	94
(ft)	lbs	lbs	lbs
28.3	33,4		
35	32,0	29,4	27,2
40	30,9	28,5	26,3
45	29,6	27,4	25,5
50	28,4	26,4	24,5
55	27,1	25,3	23,7
60	26,1	24,2	22,7
65	24,9	23,4	21,8
70	23,9	22,3	21,1
75	23,2	21,4	20,3
80	22,6	20,6	19,6
85		20,1	18,9
90		19,6	18,3
95			17,8
100			17,3

TLT 9833240 M 118422 Offiziell

Capacities in 1000 lbs with luffing jib (No. 1309.xx), 71,200 lbs counterweight + 33,100 lbs carbody counterweight. Above lift chart is for reference only. For actual lift duty and complete chart with all available configurations please refer to lift chart in operator's cab or manual.

# Lift chart - luffing jib (No. 1309.xx)

Main boom 83°

## Main boom 56 ft

Radius (ft)	Jib length in (ft)							
	56	74	94	113	151	171	190	219
31.2	79,2							
40	57,2	57,0						
45	49,3	49,1	48,7					
50	43,2	43,0	42,7	42,4				
60	34,4	34,3	34,0	33,7	32,9			
65	31,1	31,1	30,8	30,4	29,7	27,0		
75		26,0	25,8	25,5	24,7	24,3	21,6	
80		24,0	23,8	23,5	22,7	22,3	21,4	15,1
85		22,2	22,0	21,7	21,0	20,6	20,2	14,9
105			16,6	16,5	15,8	15,4	15,0	13,6
120				13,7	13,1	12,7	12,3	11,7
160					8,3	8,0	7,7	7,1
175						6,8	6,5	5,9
195							5,2	4,6
225								3,1

## Main boom 75 ft

Radius (ft)	Jib length in (ft)							
	56	74	94	113	151	171	190	219
33.6	70,9							
40	56,5	56,3						
45	48,7	48,5	48,1					
55	37,9	37,7	37,3	37,0				
65	30,8	30,7	30,3	30,0	28,7			
70	26,6	28,0	27,6	27,3	26,6	23,2		
75		25,7	25,4	25,1	24,3	23,0	19,0	
85		21,9	21,7	21,4	20,6	20,2	18,6	13,8
100			17,5	17,3	16,6	16,2	15,8	13,1
105			16,4	16,2	15,5	15,1	14,7	12,9
125				12,7	12,1	11,7	11,3	10,5
160					8,2	7,8	7,5	6,9
180						6,3	6,0	5,4
200							4,7	4,2
225								3,0

## Main boom 95 ft

Radius (ft)	Jib length in (ft)							
	56	74	94	113	151	171	190	219
36	63,9							
45	48,0	47,7						
50	42,1	41,8	41,4					
55	37,4	37,1	36,7	35,6				
65	30,3	30,2	29,8	29,4	24,0			
70	27,6	27,5	27,1	26,8	23,7	19,7		
80		23,3	23,0	22,7	21,9	19,3	16,2	
85		21,6	21,3	21,0	20,2	19,1	16,0	12,1
90		20,0	19,8	19,5	18,7	18,3	15,9	12,1
110			15,1	14,9	14,2	13,8	13,3	11,5
125				12,5	11,8	11,4	11,0	9,9
165					7,5	7,2	6,9	6,0
180						6,1	5,8	5,0
200							4,6	4,0
230								2,6

## Main boom 115 ft

Radius (ft)	Jib length in (ft)							
	56	74	94	113	151	171	199	219
38.4	51,6							
45	47,2	41,5						
50	41,4	40,2	33,6					
60	33,0	32,8	31,9	27,3				
70	27,1	27,0	26,7	26,0	19,1			
75	24,3	24,9	24,5	24,1	18,8	15,9		
85		21,2	20,9	20,6	18,0	15,4	12,1	
90		19,7	19,4	19,1	17,7	15,2	11,9	9,8
100			16,9	16,6	15,8	14,7	11,6	9,6
110			14,9	14,6	13,9	13,3	11,2	9,4
130				11,5	10,9	10,4	9,4	8,5
165					7,3	7,0	6,3	5,5
185						5,6	5,0	4,3
210							3,7	3,1
230								2,4

## Main boom 125 ft

Radius (ft)	Jib length in (ft)					
	56	74	94	113	133	151
39.6	45,4					
50	41,0	35,8				
55	36,4	34,5	29,5			
60	32,7	32,4	28,7	24,7		
65	29,6	29,4	27,8	24,2	20,6	
70	26,9	26,8	26,4	23,4	20,2	17,4
75	22,3	24,6	24,2	22,9	19,7	17,1
80		22,7	22,4	22,0	19,2	16,8
95		18,1	17,9	17,6	17,1	15,8
100			16,7	16,4	16,0	15,3
110			14,7	14,4	14,1	13,7
120				12,8	12,4	12,1
130				11,4	11,0	10,7
150					8,7	8,5
165						7,2

## Main boom 134 ft

Radius (ft)	Jib length in (ft)					
	74	84	94			
46.3	32,9					
50	32,3	29,5				
55	31,0	28,8	26,6			
60	30,1	27,8	26,0			
65	28,8	26,9	25,0			
70	26,5	25,8	24,3			
75	24,3	24,1	23,3			
80	22,5	22,3	22,0			
85	20,8	20,6	20,5			
90	19,3	19,2	19,0			
95	18,0	17,8	17,7			
100		16,7	16,5			
105		15,2	15,5			
110			14,5			
115			13,6			

TLT 9833240 M 118422 Offiziell

Capacities in 1000 lbs with luffing jib (No. 1309.xx), 71,200 lbs counterweight + 33,100 lbs carbody counterweight. Above lift chart is for reference only. For actual lift duty and complete chart with all available configurations please refer to lift chart in operator's cab or manual.



# Lift chart - luffing jib (No. 1309.xx)

## Main boom 75°

### Main boom 56 ft

Radius	Jib length in (ft)							
	56	74	94	113	151	171	190	219
(ft)	lbs	lbs	lbs	lbs	lbs	lbs	lbs	lbs
46.1	45,5							
55	36,5	36,2						
65	29,7	29,4	29,0					
75	24,8	24,7	24,3	23,9				
90		19,5	19,3	18,9	18,1			
95			17,9	17,6	16,8	16,3		
105			15,7	15,4	14,7	14,2	13,8	
110			14,7	14,5	13,7	13,3	12,9	
120				12,8	12,1	11,7	11,3	10,6
130				11,4	10,7	10,3	9,9	9,3
140					9,6	9,2	8,8	8,1
165					7,2	6,9	6,5	5,9
185						5,5	5,2	4,5
205							4,0	3,5
230								2,3

### Main boom 75 ft

Radius	Jib length in (ft)							
	56	74	94	113	151	171	190	219
(ft)	lbs	lbs	lbs	lbs	lbs	lbs	lbs	lbs
51.2	38,6							
70	26,2	25,9	25,5					
95		17,5	17,2	16,9	16,0			
110			14,1	13,8	13,0	12,6	12,2	
130				10,9	10,2	9,7	9,3	8,3
135				10,3	9,6	9,1	8,7	7,7
150					8,1	7,6	7,3	6,3
160					7,2	6,8	6,4	5,6
170					6,4	6,1	5,7	4,9
180						5,4	5,0	4,3
190						4,8	4,5	3,7
200							3,9	3,2
210							3,4	2,8
220								2,4
230								2,0

### Main boom 95 ft

Radius	Jib length in (ft)							
	56	74	94	113	151	171	199	219
(ft)	lbs	lbs	lbs	lbs	lbs	lbs	lbs	lbs
56.3	32,9							
65	27,5	27,1						
75	23,0	22,7	22,3					
85	19,6	19,4	19,0	18,6				
100		15,7	15,3	14,9	14,1			
105			14,3	14,0	13,1	12,5		
120			11,9	11,6	10,8	10,3	9,1	
130				10,3	9,5	9,1	8,0	7,1
135				9,7	9,0	8,5	7,5	6,6
140				9,2	8,4	8,0	7,0	6,2
160					6,7	6,3	5,4	4,6
175					5,6	5,3	4,5	3,7
195						4,1	3,5	2,7
210							2,8	2,1
225							2,2	

### Main boom 115 ft

Radius	Jib length in (ft)							
	56	74	94	113	151	171	190	219
(ft)	lbs	lbs	lbs	lbs	lbs	lbs	lbs	lbs
61.4	28,3							
70	24,0	23,6						
80	20,3	20,0	19,5					
90	17,4	17,2	16,7	16,3				
105		14,0	13,6	13,2	12,1			
110			12,8	12,4	11,4	10,4		
120				11,3	10,9	10,0	9,2	8,4
125				10,6	10,3	9,4	8,6	7,8
135					9,1	8,3	7,6	6,8
145					8,1	7,4	6,7	6,0
160						6,2	5,7	4,9
180						4,9	4,5	3,8
190							3,9	3,3
200							3,4	2,9
220								2,2

### Main boom 125 ft

Radius	Jib length in (ft)						
	56	74	94	113	133	151	
(ft)	lbs	lbs	lbs	lbs	lbs	lbs	
63.9	26,2						
75	21,5	21,1					
85	18,3	18,0	17,5				
90	17,0	16,7	16,2	15,8			
100		14,5	14,1	13,7	13,1		
105		13,6	13,2	12,8	12,3	11,4	
110		12,7	12,4	12,0	11,5	10,7	
120			10,9	10,5	10,1	9,4	
130			9,7	9,4	8,9	8,4	
140				8,3	7,9	7,4	
145				7,8	7,5	7,0	
160					6,3	5,9	
165					5,9	5,5	
180						4,6	
185						4,3	

### Main boom 134 ft

Radius	Jib length in (ft)					
	74	84	94			
(ft)	lbs	lbs	lbs			
74.4	20,6					
80	18,8	18,5				
85	17,4	17,1	16,9			
90	16,2	15,9	15,7			
95	15,1	14,8	14,6			
100	14,1	13,8	13,6			
105	13,2	12,9	12,7			
110	12,3	12,1	11,9			
115		11,4	11,2			
120		10,7	10,5			
125			9,9			
130			9,3			

Capacities in 1000 lbs with luffing jib (No. 1309.xx), 71,200 lbs counterweight + 33,100 lbs carbody counterweight. Above lift chart is for reference only. For actual lift duty and complete chart with all available configurations please refer to lift chart in operator's cab or manual.

TLT 9833240 M 118422 Offiziell

# Lift chart - luffing jib (No. 1309.xx)

## Main boom 65°

### Main boom 56 ft

Radius	Jib length in (ft)							
	56	74	94	113	151	171	190	219
(ft)	lbs	lbs	lbs	lbs	lbs	lbs	lbs	lbs
63.5	28,6							
75	23,3	22,9						
85	19,8	19,6						
90		18,2	17,8					
100		15,8	15,5	15,1				
120			12,0	11,7	10,9			
130				10,4	9,7	9,1		
140				9,3	8,6	8,1		
145					8,1	7,7	7,3	
160					6,8	6,4	6,0	5,2
175					5,7	5,4	5,0	4,2
195						4,2	3,9	3,2
200							3,6	2,9
215							2,9	2,3
220								2,1

### Main boom 75 ft

Radius	Jib length in (ft)							
	56	74	94	113	151	171	190	219
(ft)	lbs	lbs	lbs	lbs	lbs	lbs	lbs	lbs
71.8	23,0							
85	18,6	18,2						
90	17,2	16,9						
95		15,8	15,3					
105		13,8	13,4	12,9				
110		12,9	12,6	12,2				
130			9,8	9,5	8,7			
140				8,5	7,7	7,2		
145				8,0	7,2	6,7		
150					6,8	6,3	5,9	
170					5,4	4,9	4,5	3,4
185					4,5	4,1	3,7	2,6
195						3,5	3,2	2,1
205						3,1	2,7	
220							2,1	

### Main boom 95 ft

Radius	Jib length in (ft)						
	56	74	94	113	151	171	190
(ft)	lbs	lbs	lbs	lbs	lbs	lbs	lbs
80.1	18,4						
95	14,8	14,4					
100	13,8	13,5					
105		12,6	12,1				
115		11,1	10,7	10,2			
120		10,4	10,0	9,6			
135			8,4	8,0	7,0		
150				6,7	5,8	5,2	
155				6,3	5,5	4,9	
160					5,2	4,6	3,8
180					4,0	3,5	2,8
190					3,5	3,0	2,4
195						2,8	2,2
200						2,6	
210						2,2	

### Main boom 115 ft

Radius	Jib length in (ft)						
	56	74	94	113	151	171	190
(ft)	lbs	lbs	lbs	lbs	lbs	lbs	lbs
88.4	14,8						
100	12,6	12,1					
110	10,9	10,7					
115		10,0	9,5				
125		8,8	8,4	7,9			
145			6,6	6,2	5,0		
155				5,5	4,4	3,5	
160				5,1	4,1	3,3	
165				4,8	3,8	3,0	
170					3,6	2,8	2,0
175					3,3	2,6	
180					3,1	2,3	
185					2,9	2,1	
190					2,7		
200					2,3		

### Main boom 125 ft

Radius	Jib length in (ft)						
	56	74	94	113	133	151	
(ft)	lbs	lbs	lbs	lbs	lbs	lbs	
92.6	13,1						
105	11,1	10,7					
110	10,4	10,0					
115		9,4	8,8				
130		7,7	7,3	6,9			
140			6,5	6,0	5,3		
150			5,7	5,3	4,7	3,9	
155				5,0	4,4	3,6	
160				4,7	4,1	3,4	
165				4,4	3,9	3,1	
170					4,1	3,6	2,9
175						3,4	2,7
180						3,2	2,5
185						2,9	2,3
190							2,1

### Main boom 134 ft

Radius	Jib length in (ft)			
	74	84	94	
(ft)	lbs	lbs	lbs	
107.5	9,6			
115	8,7	8,4		
120	8,2	7,9	7,6	
125	7,7	7,4	7,2	
130	7,2	6,9	6,7	
135	6,7	6,5	6,3	
140		6,1	5,9	
145		5,7	5,5	
150			5,2	
155			4,9	

TLT 9833240 M 118422 Offiziell

Capacities in 1000 lbs with luffing jib (No. 1309.xx), 71,200 lbs counterweight + 33,100 lbs carbody counterweight. Above lift chart is for reference only. For actual lift duty and complete chart with all available configurations please refer to lift chart in operator's cab or manual.

# Lift chart - luffing jib (No. 1309.xx)

## Main boom 45°

### Main boom 56 ft

Radius (ft)	Jib length in (ft)						
	56 lbs	74 lbs	94 lbs	113 lbs	151 lbs	171 lbs	190 lbs
92.4	15,5						
100	14,0						
110		12,0					
115		11,3					
125			9,6				
135			8,5				
140				7,7			
150				6,9			
155				6,5			
175					4,4		
180					4,1		
190					3,6	3,2	
200						2,7	
205						2,5	2,1
210						2,3	

### Main boom 75 ft

Radius (ft)	Jib length in (ft)					
	56 lbs	74 lbs	94 lbs	113 lbs	151 lbs	
106.3	11,1					
115	9,9					
125		8,5				
130		8,0				
140			6,7			
145			6,3			
150			5,9			
155				5,2		
160				4,9		
165				4,6		
170				4,3		
185					2,6	
190					2,5	
195					2,3	
200					2,1	

### Main boom 95 ft

Radius (ft)	Jib length in (ft)			
	56 lbs	74 lbs	94 lbs	113 lbs
120.3	7,6			
125	7,2			
140		5,6		
145		5,2		
155			4,2	
165			3,6	
167				3,1
180				2,5

### Main boom 115 ft

Radius (ft)	Jib length in (ft)		
	56 lbs	74 lbs	94 lbs
134.2	4,8		
136	4,8		
140	4,5		
150		3,5	
155		3,3	
160		3,0	
170			2,1

### Main boom 125 ft

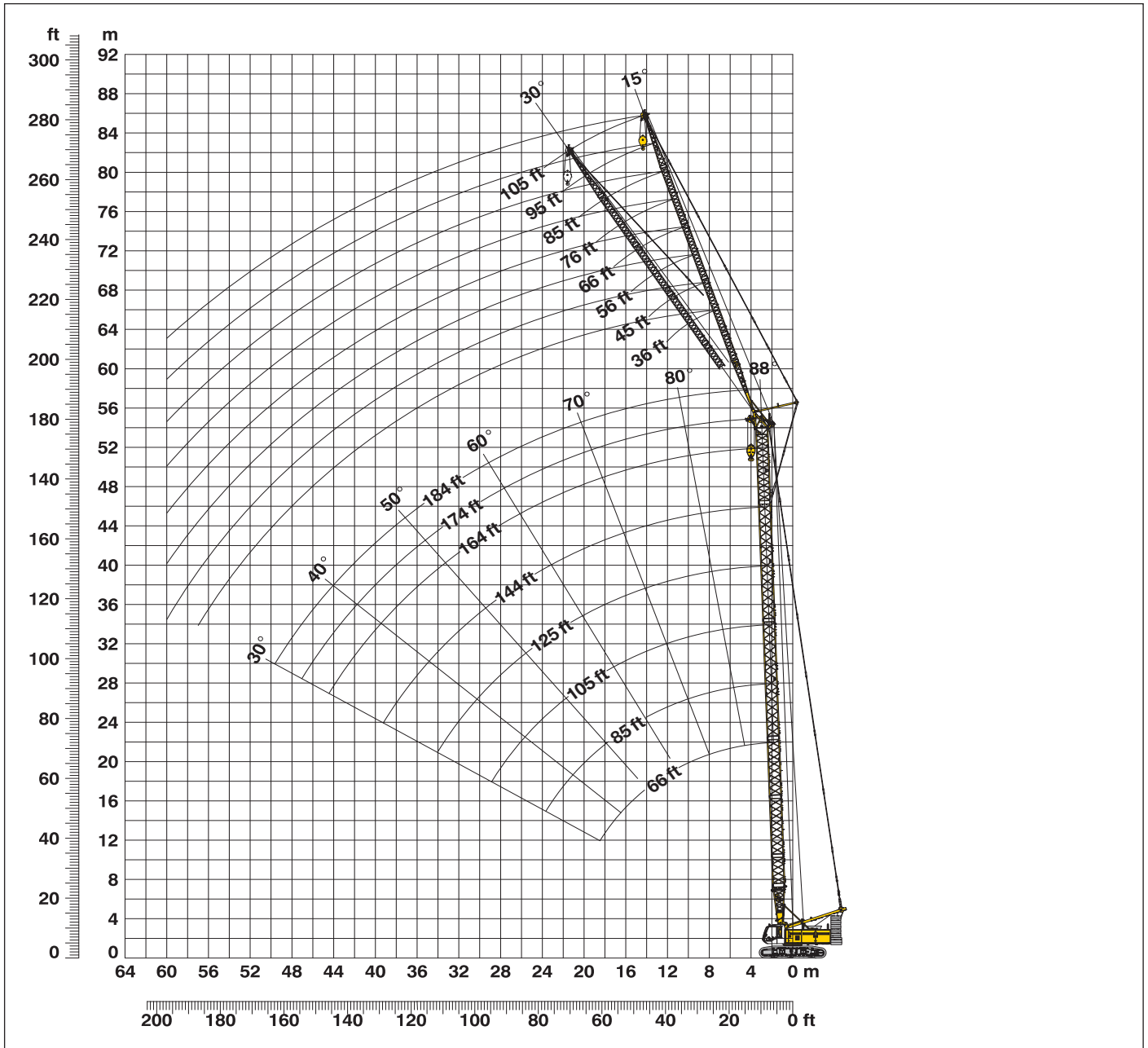
Radius (ft)	Jib length in (ft)	
	56 lbs	74 lbs
141.1	3,6	
150	3,1	
160		2,3
165		2,1

TLT 9833240 M 118422 Offiziell

Capacities in 1000 lbs with luffing jib (No. 1309.xx), 71,200 lbs counterweight + 33,100 lbs carbody counterweight. Above lift chart is for reference only. For actual lift duty and complete chart with all available configurations please refer to lift chart in operator's cab or manual.

# Working range - fixed jib (No. 0806.xx) 15° and 30°

Main boom 88° - 30°



**Boom configuration for boom lengths (66 ft - 184 ft)** – see table 1 on page 12

**Fixed jib configuration for fixed jib lengths (36 ft - 105 ft)**

	Length*	Amount of fixed jib extensions							
Fixed jib foot	18 ft	1	1	1	1	1	1	1	1
Fixed jib insert	10 ft*		1		1		1		1
Fixed jib insert	20 ft*			1	1	2	2	3	3
Fixed jib head	18 ft	1	1	1	1	1	1	1	1
Fixed jib length (ft)		36	46	56	66	76	85	95	105

\*Actual lengths of boom sections are metric (e.g. 3 m, 6 m). The figures shown above are approximate conversions to feet.

# Lift chart - fixed jib (No. 0806.xx)

Offset 15°

## Main boom 66 ft

Radius	Fixed jib length in (ft)			
	36	66	85	105
(ft)	lbs	lbs	lbs	lbs
16.4	53,0			
30	53,0	36,3		
40	53,0	34,4	21,7	
45	47,7	33,3	21,1	12,7
60	32,7	30,3	19,2	11,7
80	22,3	23,2	17,1	10,5
95	17,5	18,4	15,8	9,9
100		17,1	15,4	9,7
120		13,1	13,5	9,0
125		12,3	12,7	8,9
140			10,7	8,5
145			10,0	8,4
160				8,4
165				8,3

## Main boom 85 ft

Radius	Fixed jib length in (ft)			
	36	66	85	105
(ft)	lbs	lbs	lbs	lbs
17.1	53,0			
30	53,0	34,8		
40	52,8	33,6	21,1	
45	47,3	32,8	20,6	12,6
50	41,1	31,9	20,1	12,2
60	32,2	30,3	19,1	11,6
80	21,8	22,8	17,3	10,6
95	17,0	17,9	16,2	9,9
115	12,6	13,5	13,9	9,2
120		12,7	13,1	9,1
140		9,8	10,2	8,6
145		9,2	9,6	8,5
160			8,0	8,2
180				6,6

## Main boom 105 ft

Radius	Fixed jib length in (ft)			
	36	66	85	105
(ft)	lbs	lbs	lbs	lbs
17.8	53,0			
30	53,0	32,2		
40	53,0	31,9	20,0	
45	47,0	31,4	19,8	12,3
50	40,8	30,5	19,5	12,0
60	31,9	28,7	18,7	11,5
80	21,4	22,5	17,1	10,5
100	15,4	16,3	15,8	9,8
120	11,5	12,3	12,7	9,1
130	9,9	10,7	11,1	8,8
140		9,4	9,8	8,6
160		7,3	7,7	8,0
180			6,0	6,3
200				4,9

## Main boom 125 ft

Radius	Fixed jib length in (ft)			
	36	66	85	105
(ft)	lbs	lbs	lbs	lbs
19.1	45,0			
35	44,0	27,0		
40	43,3	26,9	18,2	
50	40,0	26,3	17,9	11,4
60	31,1	25,2	17,3	11,0
80	20,5	21,7	16,1	10,3
100	14,5	15,4	15,0	9,6
120	10,5	11,4	11,9	9,0
140	7,8	8,5	9,0	8,6
160	5,7	6,4	6,8	7,1
165	5,2	6,0	6,3	6,6
195		3,7	4,1	4,4
215			2,9	3,2
235				2,1

## Main boom 144 ft

Radius	Fixed jib length in (ft)			
	36	66	85	105
(ft)	lbs	lbs	lbs	lbs
19.8	37,1			
35	36,2	23,6		
40	35,6	23,4	16,7	
50	34,2	23,1	16,5	10,9
60	30,6	22,3	16,2	10,6
80	20,1	20,3	15,3	10,0
100	14,0	15,0	14,1	9,4
120	10,0	10,9	11,4	8,9
140	7,2	8,1	8,5	8,5
160	5,2	5,9	6,3	6,7
180	3,5	4,2	4,6	5,0
210		2,3	2,7	3,0
220			2,1	2,4
225				2,2

## Main boom 164 ft

Radius	Fixed jib length in (ft)			
	36	66	85	105
(ft)	lbs	lbs	lbs	lbs
20.2	33,7			
35	32,9	22,0		
40	32,4	21,8	15,8	
50	31,4	21,5	15,8	10,7
60	30,4	21,0	15,5	10,4
80	19,8	19,4	14,7	9,8
100	13,7	14,8	13,7	9,3
120	9,8	10,7	11,2	8,8
140	7,0	7,8	8,3	8,4
160	4,9	5,7	6,1	6,4
190	2,6	3,3	3,7	4,0
210		2,1	2,4	2,7
215			2,2	2,5
220				2,2

TLT 9833240 M 118422 Offiziell

## Main boom 174 ft

Radius	Fixed jib length in (ft)			
	36	66	85	105
(ft)	lbs	lbs	lbs	lbs
18.4	53,0			
30	53,0	29,7		
40	51,6	29,5	19,3	
50	40,4	28,7	18,8	11,8
60	31,4	27,4	18,2	11,4
80	20,9	22,0	17,0	10,5
100	14,9	15,8	15,8	9,8
120	11,0	11,8	12,2	9,2
130	9,4	10,3	10,7	8,9
145	7,6	8,4	8,8	8,5
160		6,8	7,2	7,5
175		5,5	5,9	6,2
195			4,4	4,8
215				3,5

## Main boom 184 ft

Radius	Fixed jib length in (ft)			
	36	56	66	75
(ft)	lbs	lbs	lbs	lbs
20.5	29,5			
30	28,9	22,4		
35	28,6	22,4	19,5	
40	28,2	22,2	19,5	16,9
80	19,7	19,2	17,3	15,4
100	13,5	14,3	14,6	14,0
120	9,6	10,2	10,5	10,8
140	6,8	7,4	7,6	7,9
160	4,7	5,3	5,5	5,7
180	3,1	3,6	3,8	4,0
195	2,1	2,6	2,8	3,0
200		2,3	2,5	2,7
205			2,2	2,4
210				2,1

Capacities in 1000 lbs with fixed jib (No. 0806.xx), 71,200 lbs counterweight + 33,100 lbs carbody counterweight. Above lift chart is for reference only. For actual lift duty and complete chart with all available configurations please refer to lift chart in operator's cab or manual.

# Lift chart - fixed jib (No. 0806.xx)

Offset 30°

## Main boom 66 ft

Radius	Fixed jib length in (ft)			
	36	66	85	105
(ft)	lbs	lbs	lbs	lbs
25	53,0			
45	48,6	29,8		
55	37,3	27,3	17,8	
70	27,1	24,0	16,5	10,2
80	22,6	22,2	15,7	9,9
90	19,1	20,3	15,0	9,6
100	16,3	17,6	14,4	9,3
110		15,3	13,9	9,0
120		13,4	13,6	8,8
130		11,6	12,3	8,6
140			10,9	8,6
150			9,5	8,5
160				8,7
165				8,4

## Main boom 85 ft

Radius	Fixed jib length in (ft)			
	36	66	85	105
(ft)	lbs	lbs	lbs	lbs
25.7	53,0			
45	48,3	29,1		
60	32,9	26,5	17,1	
70	26,7	24,6	16,4	10,1
80	22,2	23,1	15,7	9,8
100	16,0	17,2	14,5	9,2
115	12,8	13,9	13,9	8,8
120		13,0	13,5	8,8
140		10,0	10,6	8,4
145		9,3	9,9	8,4
160			8,2	8,3
165			7,7	8,1
180				6,8
185				6,3

## Main boom 105 ft

Radius	Fixed jib length in (ft)			
	36	66	85	105
(ft)	lbs	lbs	lbs	lbs
26.3	53,0			
45	45,0	27,2		
60	32,7	24,7	16,8	
70	26,4	23,3	16,2	10,0
80	21,9	22,1	15,7	9,7
100	15,7	16,9	14,6	9,2
120	11,6	12,7	13,3	8,7
130	10,1	11,1	11,7	8,6
140		9,7	10,3	8,4
160		7,4	8,0	8,3
170			7,0	7,4
180			6,1	6,6
190				5,8
200				5,0

## Main boom 125 ft

Radius	Fixed jib length in (ft)			
	36	66	85	105
(ft)	lbs	lbs	lbs	lbs
27	46,4			
50	40,5	24,7		
60	32,3	23,5	16,1	
70	26,1	22,3	15,8	9,8
80	21,5	21,2	15,4	9,6
100	15,3	16,6	14,4	9,1
120	11,2	12,3	12,9	8,7
140	8,3	9,3	9,9	8,4
150	7,1	8,1	8,7	8,3
160		7,1	7,6	8,0
180		5,2	5,8	6,2
190			5,0	5,4
200			4,2	4,7
220				3,3

## Main boom 144 ft

Radius	Fixed jib length in (ft)			
	36	66	85	105
(ft)	lbs	lbs	lbs	lbs
27.7	41,4			
50	37,0	22,9		
60	32,0	21,9	15,5	
70	25,8	20,8	15,2	9,5
80	21,2	19,8	14,7	9,4
100	14,9	16,2	13,7	8,9
120	10,9	12,0	12,6	8,6
140	8,0	9,0	9,6	8,3
160	5,8	6,7	7,3	7,7
165	5,3	6,3	6,8	7,2
180		5,0	5,5	5,9
195		3,8	4,3	4,8
215			3,0	3,4
235				2,2

## Main boom 164 ft

Radius	Fixed jib length in (ft)			
	36	66	85	105
(ft)	lbs	lbs	lbs	lbs
28.4	34,5			
50	31,6	20,7		
60	29,7	20,1	14,5	
75	23,0	18,6	14,1	9,2
80	20,8	18,2	13,8	9,1
100	14,5	15,9	12,9	8,7
120	10,4	11,6	12,1	8,4
140	7,5	8,6	9,2	8,2
160	5,4	6,3	6,9	7,4
180	3,7	4,5	5,1	5,5
185	3,3	4,2	4,7	5,1
215		2,1	2,6	3,1
220			2,3	2,8
230				2,2

TLT 9833240 M 118422 Offiziell

## Main boom 174 ft

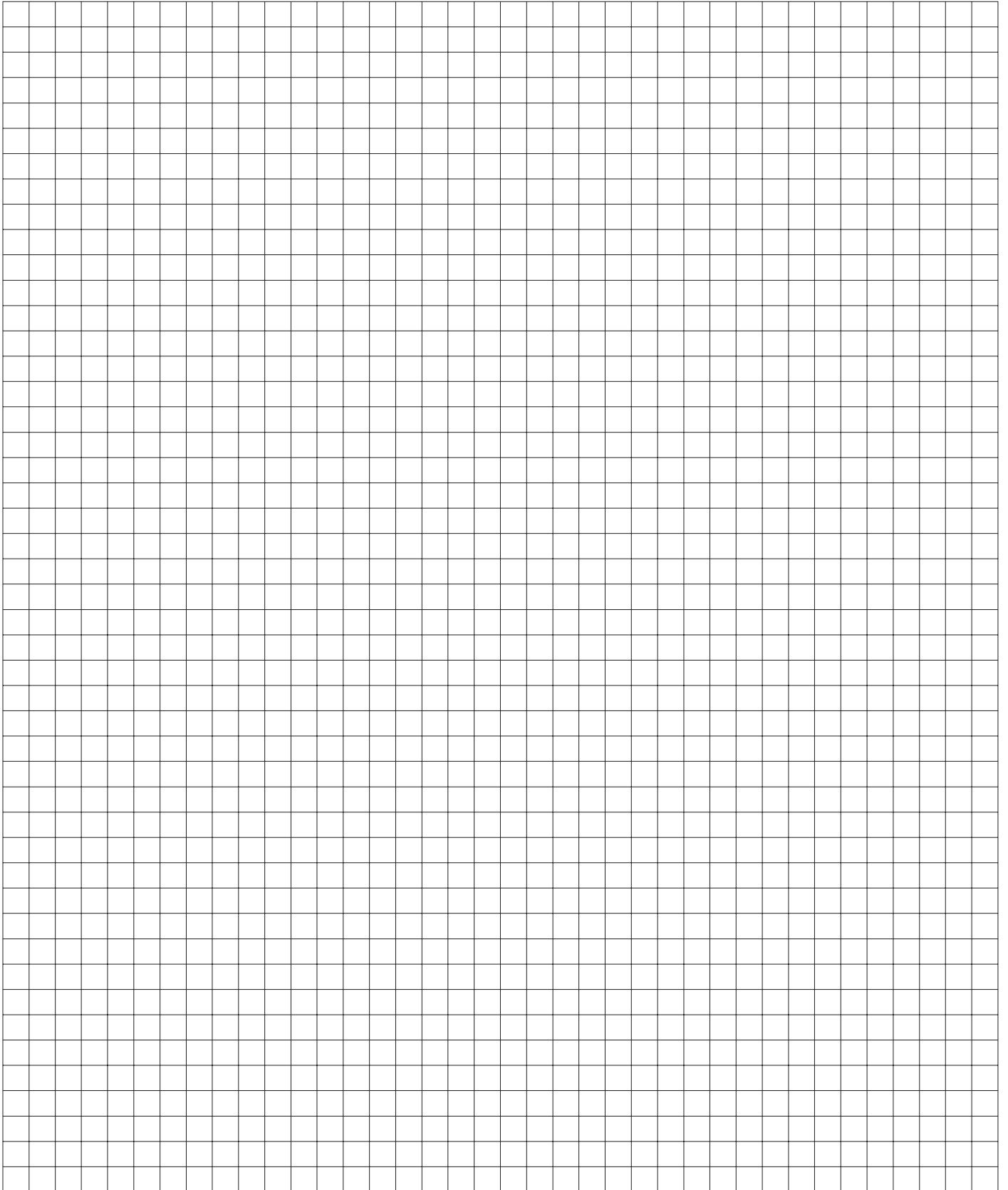
Radius	Fixed jib length in (ft)			
	36	66	85	105
(ft)	lbs	lbs	lbs	lbs
28.7	30,7			
50	29,4	19,0		
60	28,0	18,9	13,7	
75	22,8	17,8	13,6	9,0
80	20,6	17,4	13,4	8,9
100	14,3	15,7	12,6	8,6
120	10,2	11,4	11,8	8,3
140	7,3	8,4	9,0	8,0
160	5,1	6,1	6,7	7,2
180	3,4	4,3	4,9	5,3
190	2,7	3,6	4,1	4,6
210		2,2	2,7	3,2
220			2,1	2,6
230				2,0

## Main boom 184 ft

Radius	Fixed jib length in (ft)			
	36	56	66	75
(ft)	lbs	lbs	lbs	lbs
29.1	26,8			
45	26,2	19,2		
50	25,7	19,5	16,8	
55	25,1	19,4	17,0	14,6
80	20,5	17,5	15,8	14,1
100	14,1	15,2	14,4	12,9
120	10,0	10,9	11,3	11,7
140	7,1	7,9	8,3	8,6
160	5,0	5,7	6,0	6,3
180	3,3	3,9	4,2	4,5
195	2,2	2,8	3,1	3,4
205		2,2	2,4	2,7
210			2,1	2,4
215				2,1

Capacities in 1000 lbs with fixed jib (No. 0806.xx), 71,200 lbs counterweight + 33,100 lbs carbody counterweight. Above lift chart is for reference only. For actual lift duty and complete chart with all available configurations please refer to lift chart in operator's cab or manual.

# Notice



---

**Liebherr-Werk Nenzing GmbH**

Dr. Hans Liebherr Str. 1, 6710 Nenzing/Austria  
Tel.: +43 50809 41-473, Fax: +43 50809 41-499  
crawler.crane@liebherr.com, www.liebherr.com  
facebook.com/LiebherrConstruction