

CONSULT THE IC-250-E ENGINEERING SPEC FOR ADDITIONAL INFORMATION.

**Main Features**

- RATED CAPACITY LIMITER**  
Standard
- CAPACITY ON OUTRIGGERS**  
36,000 lbs. (16,330 kg)
- PICK AND CARRY CAPACITY**  
up to 18,500 lbs. (8,400 kg)
- HEIGHT**  
7' 11" (2.41 m)
- WIDTH**  
7' 10" (2.39 m)
- BOOM ROTATION**  
360°
- SHEAVE HEIGHT**  
up to 79' 6" (24.23 m)
- HORIZONTAL REACH**  
up to 70' 1" (20.4 m)
- FOUR-WHEEL STEER**  
Standard
- FOUR-WHEEL DRIVE**  
Optional
- POWERSHIFT TRANSMISSION**  
Standard
- FULLY HYDRAULIC CONTROLS FOR SMOOTH, PRECISE OPERATIONS**
- INDEPENDENT OUTRIGGER CONTROLS**
- DIESEL OR LPG FUELED ENGINES AVAILABLE**

**ENGINE**

**Spark Arrester Muffler**  
Installed in addition to standard muffler. (LPG only.)  
**Engine Heater**  
Engine coolant heater installed to circulate warm water through engine, plugs into 120 volt AC.

**AXLE & STEERING**

4-Wheel Steer & 2-Wheel Drive  
4-Wheel Steer & 4-Wheel Drive

**TIRE**

Non Marking Pneumatic Tires  
Foam Filling of Tires  
Spare Tire & Wheel

**CHASSIS**

**Auxiliary Winch**  
Mounted on front outrigger bumper, hydraulically driven with control in operator's console.  
**Pintle Hook**  
Rear and Front  
**Rearview Mirrors**  
One mounted on right-hand deck stake and one mounted on left-hand deck stake.  
**Outrigger Shoes**  
Steel outrigger shoes, 18" (46 cm) x 18" (46 cm) octagonal shape with storage posts on rear bumper.

**OPERATOR COMPARTMENT**

**Operator Guard**  
Tubular steel weldment with heavy expanded steel mesh top section.  
**All Weather Cab**  
Rigid-mounted canopy section and removable hinged door. Includes heater, electric windshield wiper, one sliding glass window in the door & one in the right side of canopy. Defroster fan & dome light included.

**Options**

**Cab Heater Only**  
Heater with two-speed fan for units without All Weather Cab.  
**Windshield Washer**  
Includes reservoir, pump and nozzle.  
**Floor Mat**  
Vinyl mat with foam backing.  
**Operator Suspension Seat**  
Small suspension built in to provide additional operator comfort. Deluxe seat upholstery springs provide additional operator comfort.  
**Noise Reduction Kit**  
Includes floor mat, control valve cover and side panels of foam backed vinyl for noise reduction.  
**Air Conditioning**  
Air Conditioner w/134 coolant.

**ELECTRICAL**

**Strobe Lights**  
Yellow strobe light mounted on each side of turret weight box.  
**Boom Work Lights**  
One worklight mounted to boom to light boom tip, and one work light mounted to turret to light ground under boom tip.  
**Work Lights - Rear**  
Two work lights recessed in rear bumper  
**RCL Light Bar**  
3 color light bar for external indication of load status

**BOOM ATTACHMENTS**

**Boom Extension**  
20 ft. (6.1 m) Offset. Boom stowable. Boom extension is offsettable to 3 different positions; 0 degree (in line), 15 degree and 30 degree offset.  
**Sheave Block**  
Two-Part Line  
**Searcher Hook**  
Nose Mount 5,000 lb (2,270 kg)



**Capacity**  
36,000 lbs. (16,330 kg)

**Sheave Height**  
79' 6" (24.23 m)  
(with boom extension)

**Horizontal Reach**  
70' 1" (21.4 m)  
(with boom extension)

**Height**  
7' 11" (2.41 m)

**Width**  
7' 10" (2.39 m)

**IC-250-E**  
**Industrial Crane**

The IC-250 has the versatility to perform facility maintenance, re-fits, upgrades and expansion projects. This quality crane will keep you productive every step of the way.



BroderSON Cranes are manufactured to ISO 9001:2015 certified standards and have a market leading reputation for quality and reliability. BroderSON Cranes are engineered for operating efficiency and are easy to operate and maintain.

An extensive network of full-service dealers offer parts and service support by factory-trained technicians.

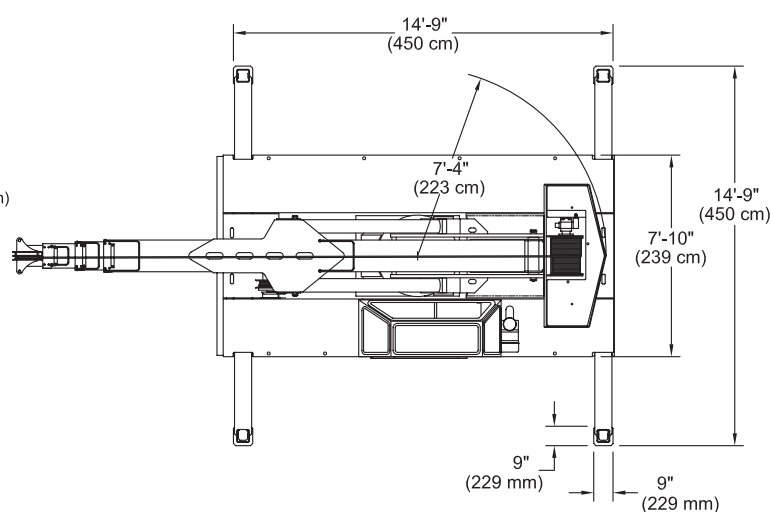
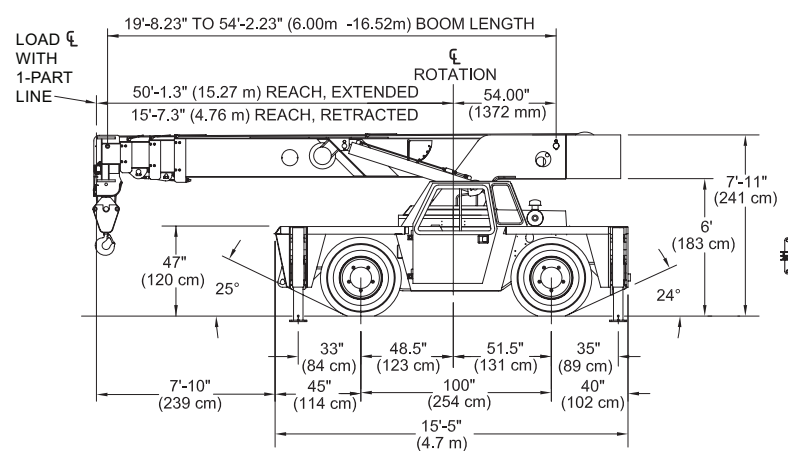
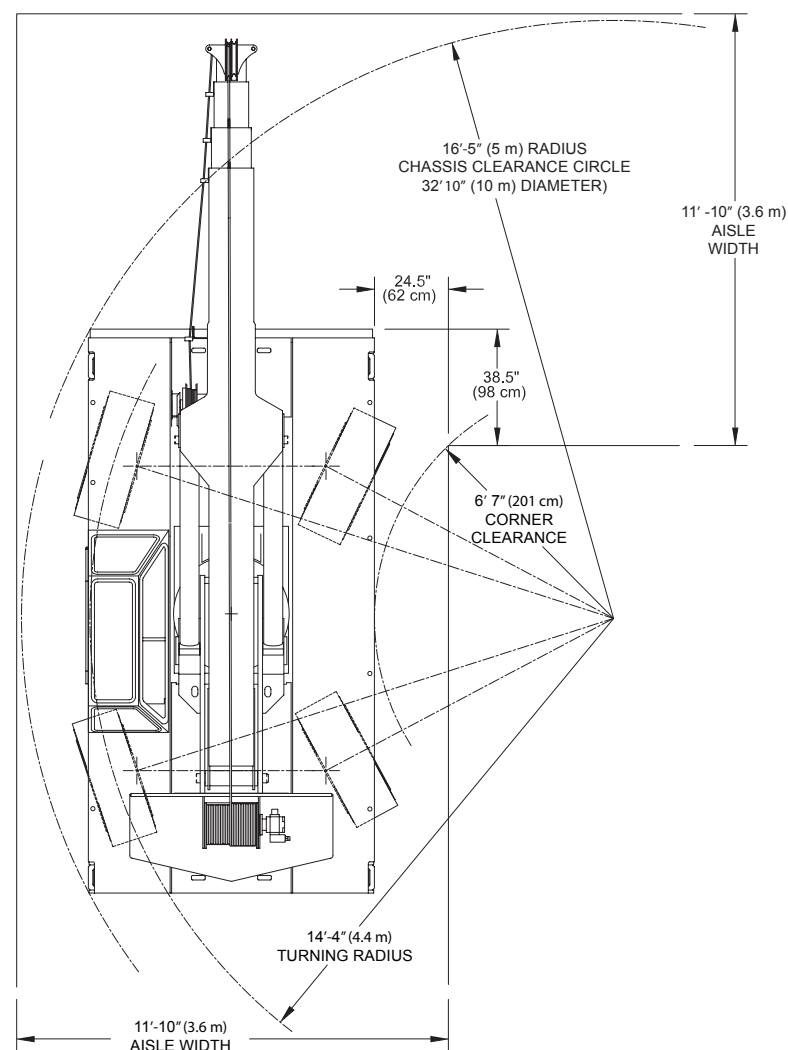
For additional options or special equipment not listed, please consult your dealer salesperson or contact BroderSON Manufacturing Corp.

**BRODERSON<sup>®</sup>**  
Manufacturing Corp.  
14741 West 106th Street  
Lenexa, KS 66215 USA

(913) 888-0606  
www.BMCcranes.com

Dimensions and values shown are for reference purposes only. Specifications subject to change.





### GENERAL

|               | ROTATION   | ELEVATION | EXTENSION      |
|---------------|------------|-----------|----------------|
| Boom Movement | Continuous | 0° to 75° | 34'6" (10.52m) |
| Boom Speeds   | 1.4 RPM    | 22 sec.   | 41 sec.        |

|                |                          |  |  |
|----------------|--------------------------|--|--|
| Weight Total   | 37,700 lbs. (17,100 kg.) |  |  |
| Front Axle     | 17,100 lbs. (7,800 kg.)  |  |  |
| Rear Axle      | 20,600 lbs. (9,300 kg.)  |  |  |
| Gradeability   | 64% (33°)                |  |  |
| Turning Radius | 14' 4" (4.37m)           |  |  |

### ENGINE

|                    |                            |                      |
|--------------------|----------------------------|----------------------|
| Make               | Cummins                    | GM                   |
| Model              | QSF3.8 T4F / QSB3.3 T4i    | 5.7L V8 (T2)         |
| Type               | Turbo-Diesel               | LPG                  |
| Cylinder           | 4 / 4                      | 8                    |
| Displacement       | 3.8L / 3.3L                | 5.7L                 |
| HP @ Gov. Speed    | 120HP (89kW) / 99HP (75kW) | 135HP (101kW)        |
| Fuel Tank Capacity | 30 gal. (113L)             | Dual 43lb. (19.5 kW) |

### TRANSMISSION

**POWERSHIFT TRANSMISSION** with 4-speeds forward & reverse. Provides power shifts at any engine speed in any gear. All shifting is done with a single lever electrical control mounted on the steering column. Multiple-disc clutch packs operated by solenoid valves provide reverse, neutral, forward and speed selection. Equipped with torque converter and transmission oil cooler.

**GEAR RATIOS:**

|     |        |
|-----|--------|
| 1st | 5.72:1 |
| 2nd | 3.23:1 |
| 3rd | 1.77:1 |
| 4th | 1.00:1 |

### FRONT

Planetary drive/steer front axle with 16:42 to 1.0 ratio. Differential equipped with "limited slip" feature. Front axle mounted rigidly to frame.

| TRANS. GEAR | SPEED  | DRAWBAR PULL*          |
|-------------|--------|------------------------|
| 1st         | 3 MPH  | 18,100 lbs. (8,200 kg) |
| 2nd         | 5 MPH  | 10,600 lbs. (4,800 kg) |
| 3rd         | 10 MPH | 6,000 lbs. (2,700 kg)  |
| 4th         | 18 MPH | 3,200 lbs. (1,450 kg)  |

\*Drawbar pull is calculated for QSB 3.3L Tier 4i Diesel engine.

### AXLES

#### REAR

##### Standard (2-Wheel Drive):

Steering axle with 1-1/2 degree oscillation in either direction.

##### Optional (4-Wheel Drive):

Planetary drive/steer axle with 24.98 to 1.0 ratio. Differential is not "limited slip" in rear axle. 1-1/2 degree oscillation in either direction. Axle ratio compatible with 4-wheel drive transmission rear output ratio to match front axle speed.

### STEERING

Hydraulic steering unit with two cylinders attached to each axle. Allows limited steering when engine is not running. A switch on the control panel is used to select rear-wheel steering or four-wheel (round) steering or crab steering.

### BRAKES

**Service:** Split-system, 4-wheel hydraulic-boosted multiple plate wet disc brakes.

**Parking:** Hand lever actuated disc-type parking brake on transmission.

### TIRES

**Standard:**

385/65 D22.5, 16-ply high traction on/off road tread.

### CHASSIS

#### CARGO DECK

80 Square feet (7.4 m) of deck area. 17,000 lbs. (7,700 kg) capacity on deck when load is centered over or between axles.

#### OUTRIGGERS

Four hydraulic out & down outriggers of box beam construction with direct-connected holding valves. Independent controls for each outrigger. **Outrigger pad dimension 9" (23 cm) x 9" (23 cm)**

#### ACCESSORY STORAGE BOX

Storage box is 14" (35 cm) deep x 12 1/2" (32 cm) long x 36 1/2" (93 cm) wide, located in front cargo deck.

#### LIFTING RINGS

Lifting rings at each corner of cargo deck so sling can be attached for lifting crane.

### OPERATOR COMPARTMENT

Provides one-position access to all chassis & crane functions. Includes adjustable operator's seat, retracting seat belts, fire extinguisher & bubble level.

#### LIGHTING PACKAGE

Consists of two 12V-lamps, with high and low beams for driving; tail, brake and turn signal lights and backup lights in rear; front turn signals and emergency flasher switch at operator's station.

#### INSTRUMENT PACKAGE

Fuel gauge and hourmeter which records hours only during actual engine operation. Also included are warning lights for low oil and transmission pressure, check engine, high coolant and transmission temperature, turn signals, high beams, hazard lights, parking brake and four-wheel drive.

#### BACK-UP ALARM

Provides pulsating sound from 102 dB alarm when transmission is in reverse. Conforms to SAE J994B.

#### OUTRIGGER ALARM SYSTEM

Two-tone alarm is activated when "outrigger down" or "outrigger out" controls are operated.

### ELECTRICAL (12-VOLT SYSTEM)

### HYDRAULIC

**TANDEM PUMP** direct-driven by engine, delivers 30 GPM (113L/min) at rated RPM. 54-gallon capacity.

### BOOM ASSEMBLY

#### FOUR-SECTION BOOM ASSEMBLY

equipped with bearing pads, double acting hydraulic cylinder & chain system telescopes booms proportionally. Telescope & boom elevation cylinders equipped with cylinder-mounted holding valves. Boom angle indicator on each side of boom.

#### BOOM ROTATION

Heavy-duty ball bearing rotation gear with external teeth. Rotation is powered by hydraulic motor & worm gear drive.

#### BOOM HOIST

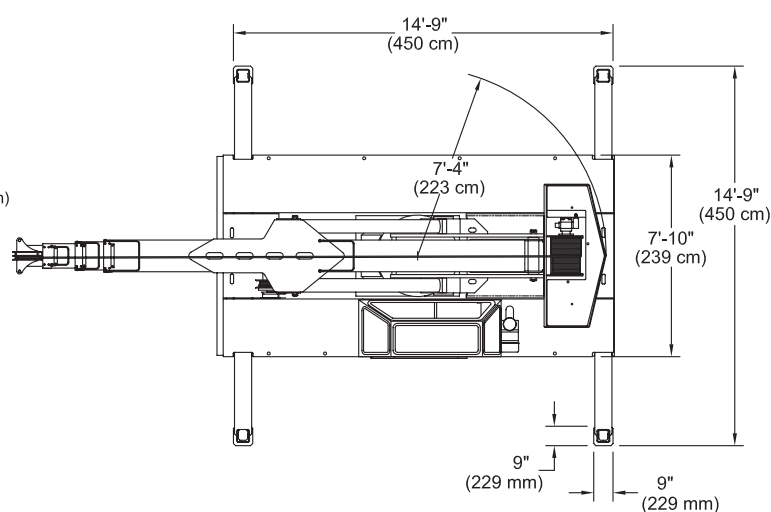
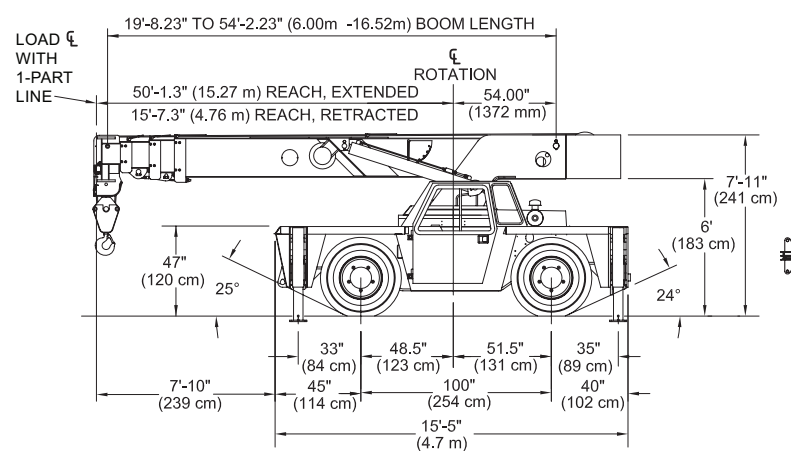
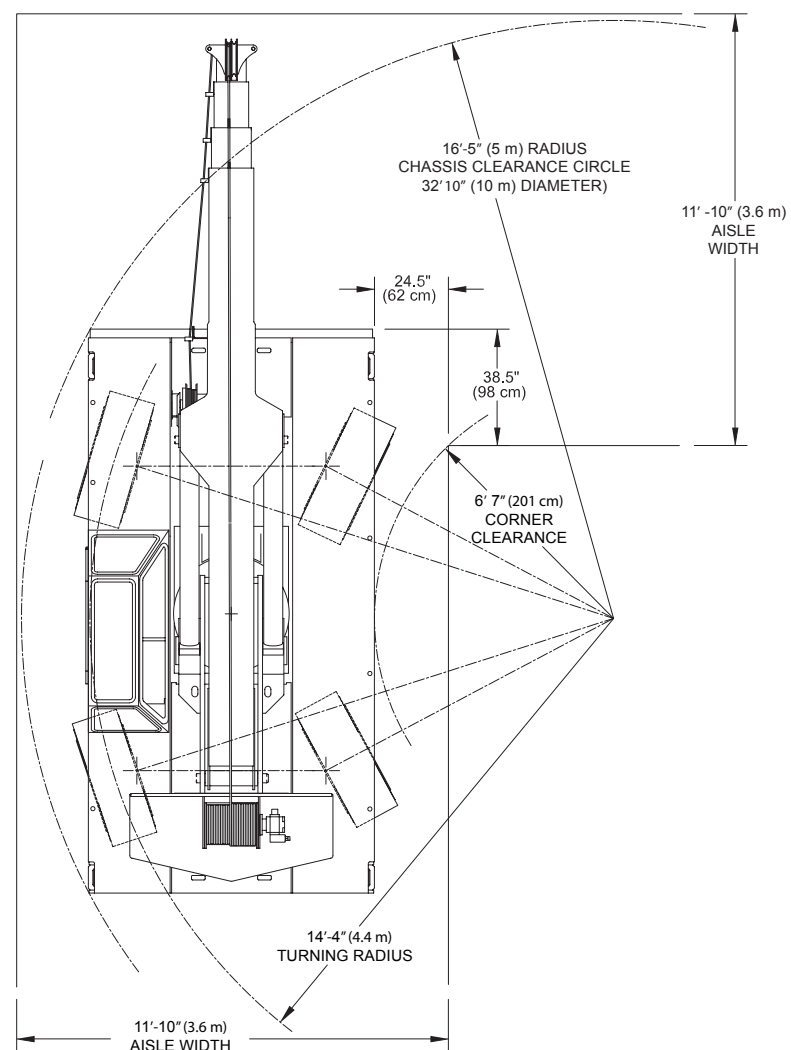
Turret-mounted planetary gear hoist, is hydraulically powered to provide a bare-drum line pull of 12,000 lbs (5440 kg) and a speed of 100 fpm (30 m/min), includes 320 feet (97 m) of 9/16 inch (14 mm) wire rope, 170 pound (77 kg) downhaul weight, swivel hook, sheave block for 4-part line.

#### ANTI-TWO-BLOCK DEVICE

Prevents damage to hoist rope and/or crane components from pulling load hook against tip.

#### RATED CAPACITY LIMITER

Warns operator of impending overload with audible & visual signals. Prevents overload by stopping boom functions that cause overloads.



### GENERAL

|               | ROTATION   | ELEVATION | EXTENSION      |
|---------------|------------|-----------|----------------|
| Boom Movement | Continuous | 0° to 75° | 34'6" (10.52m) |
| Boom Speeds   | 1.4 RPM    | 22 sec.   | 41 sec.        |

|                |                          |  |  |
|----------------|--------------------------|--|--|
| Weight Total   | 37,700 lbs. (17,100 kg.) |  |  |
| Front Axle     | 17,100 lbs. (7,800 kg.)  |  |  |
| Rear Axle      | 20,600 lbs. (9,300 kg.)  |  |  |
| Gradeability   | 64% (33°)                |  |  |
| Turning Radius | 14' 4" (4.37m)           |  |  |

### ENGINE

|                    |                            |                      |
|--------------------|----------------------------|----------------------|
| Make               | Cummins                    | GM                   |
| Model              | QSF3.8 T4F / QSB3.3 T4i    | 5.7L V8 (T2)         |
| Type               | Turbo-Diesel               | LPG                  |
| Cylinder           | 4 / 4                      | 8                    |
| Displacement       | 3.8L / 3.3L                | 5.7L                 |
| HP @ Gov. Speed    | 120HP (89kW) / 99HP (75kW) | 135HP (101kW)        |
| Fuel Tank Capacity | 30 gal. (113L)             | Dual 43lb. (19.5 kW) |

### TRANSMISSION

**POWERSHIFT TRANSMISSION** with 4-speeds forward & reverse. Provides power shifts at any engine speed in any gear. All shifting is done with a single lever electrical control mounted on the steering column. Multiple-disc clutch packs operated by solenoid valves provide reverse, neutral, forward and speed selection. Equipped with torque converter and transmission oil cooler.

**GEAR RATIOS:**

|     |        |
|-----|--------|
| 1st | 5.72:1 |
| 2nd | 3.23:1 |
| 3rd | 1.77:1 |
| 4th | 1.00:1 |

### FRONT

Planetary drive/steer front axle with 16:42 to 1.0 ratio. Differential equipped with "limited slip" feature. Front axle mounted rigidly to frame.

| TRANS. GEAR | SPEED  | DRAWBAR PULL*          |
|-------------|--------|------------------------|
| 1st         | 3 MPH  | 18,100 lbs. (8,200 kg) |
| 2nd         | 5 MPH  | 10,600 lbs. (4,800 kg) |
| 3rd         | 10 MPH | 6,000 lbs. (2,700 kg)  |
| 4th         | 18 MPH | 3,200 lbs. (1,450 kg)  |

\*Drawbar pull is calculated for QSB 3.3L Tier 4i Diesel engine.

### AXLES

#### REAR

##### Standard (2-Wheel Drive):

Steering axle with 1-1/2 degree oscillation in either direction.

##### Optional (4-Wheel Drive):

Planetary drive/steer axle with 24.98 to 1.0 ratio. Differential is not "limited slip" in rear axle. 1-1/2 degree oscillation in either direction. Axle ratio compatible with 4-wheel drive transmission rear output ratio to match front axle speed.

### STEERING

Hydraulic steering unit with two cylinders attached to each axle. Allows limited steering when engine is not running. A switch on the control panel is used to select rear-wheel steering or four-wheel (round) steering or crab steering.

### BRAKES

**Service:** Split-system, 4-wheel hydraulic-boosted multiple plate wet disc brakes.

**Parking:** Hand lever actuated disc-type parking brake on transmission.

### TIRES

**Standard:**

385/65 D22.5, 16-ply high traction on/off road tread.

### CHASSIS

#### CARGO DECK

80 Square feet (7.4 m<sup>2</sup>) of deck area. 17,000 lbs. (7,700 kg) capacity on deck when load is centered over or between axles.

#### OUTRIGGERS

Four hydraulic out & down outriggers of box beam construction with direct-connected holding valves. Independent controls for each outrigger. **Outrigger pad dimension 9" (23 cm) x 9" (23 cm)**

#### ACCESSORY STORAGE BOX

Storage box is 14" (35 cm) deep x 12 1/2" (32 cm) long x 36 1/2" (93 cm) wide, located in front cargo deck.

#### LIFTING RINGS

Lifting rings at each corner of cargo deck so sling can be attached for lifting crane.

### OPERATOR COMPARTMENT

Provides one-position access to all chassis & crane functions. Includes adjustable operator's seat, retracting seat belts, fire extinguisher & bubble level.

#### LIGHTING PACKAGE

Consists of two 12V-lamps, with high and low beams for driving; tail, brake and turn signal lights and backup lights in rear; front turn signals and emergency flasher switch at operator's station.

#### INSTRUMENT PACKAGE

Fuel gauge and hourmeter which records hours only during actual engine operation. Also included are warning lights for low oil and transmission pressure, check engine, high coolant and transmission temperature, turn signals, high beams, hazard lights, parking brake and four-wheel drive.

#### BACK-UP ALARM

Provides pulsating sound from 102 dB alarm when transmission is in reverse. Conforms to SAE J994B.

#### OUTRIGGER ALARM SYSTEM

Two-tone alarm is activated when "outrigger down" or "outrigger out" controls are operated.

### ELECTRICAL (12-VOLT SYSTEM)

### HYDRAULIC

**TANDEM PUMP** direct-driven by engine, delivers 30 GPM (113L/min) at rated RPM. 54-gallon capacity.

#### FOUR-SECTION BOOM ASSEMBLY

equipped with bearing pads, double acting hydraulic cylinder & chain system telescopes booms proportionally. Telescope & boom elevation cylinders equipped with cylinder-mounted holding valves. Boom angle indicator on each side of boom.

#### BOOM ROTATION

Heavy-duty ball bearing rotation gear with external teeth. Rotation is powered by hydraulic motor & worm gear drive.

#### BOOM HOIST

Turret-mounted planetary gear hoist, is hydraulically powered to provide a bare-drum line pull of 12,000 lbs (5440 kg) and a speed of 100 fpm (30 m/min), includes 320 feet (97 m) of 9/16 inch (14 mm) wire rope, 170 pound (77 kg) downhaul weight, swivel hook, sheave block for 4-part line.

#### ANTI-TWO-BLOCK DEVICE

Prevents damage to hoist rope and/or crane components from pulling load hook against tip.

#### RATED CAPACITY LIMITER

Warns operator of impending overload with audible & visual signals. Prevents overload by stopping boom functions that cause overloads.

### BOOM ASSEMBLY

CONSULT THE IC-250-E ENGINEERING SPEC FOR ADDITIONAL INFORMATION.

**Main Features**

- RATED CAPACITY LIMITER**  
Standard
- CAPACITY ON OUTRIGGERS**  
36,000 lbs. (16,330 kg)
- PICK AND CARRY CAPACITY**  
up to 18,500 lbs. (8,400 kg)
- HEIGHT**  
7' 11" (2.41 m)
- WIDTH**  
7' 10" (2.39 m)
- BOOM ROTATION**  
360°
- SHEAVE HEIGHT**  
up to 79' 6" (24.23 m)
- HORIZONTAL REACH**  
up to 70' 1" (20.4 m)
- FOUR-WHEEL STEER**  
Standard
- FOUR-WHEEL DRIVE**  
Optional
- POWERSHIFT TRANSMISSION**  
Standard
- FULLY HYDRAULIC CONTROLS FOR SMOOTH, PRECISE OPERATIONS**
- INDEPENDENT OUTRIGGER CONTROLS**
- DIESEL OR LPG FUELED ENGINES AVAILABLE**

**ENGINE**

**Spark Arrester Muffler**  
Installed in addition to standard muffler. (LPG only.)  
**Engine Heater**  
Engine coolant heater installed to circulate warm water through engine, plugs into 120 volt AC.

**AXLE & STEERING**

4-Wheel Steer & 2-Wheel Drive  
4-Wheel Steer & 4-Wheel Drive

**TIRE**

Non Marking Pneumatic Tires  
Foam Filling of Tires  
Spare Tire & Wheel

**CHASSIS**

**Auxiliary Winch**  
Mounted on front outrigger bumper, hydraulically driven with control in operator's console.  
**Pintle Hook**  
Rear and Front  
**Rearview Mirrors**  
One mounted on right-hand deck stake and one mounted on left-hand deck stake.  
**Outrigger Shoes**  
Steel outrigger shoes, 18" (46 cm) x 18" (46 cm) octagonal shape with storage posts on rear bumper.

**OPERATOR COMPARTMENT**

**Operator Guard**  
Tubular steel weldment with heavy expanded steel mesh top section.  
**All Weather Cab**  
Rigid-mounted canopy section and removable hinged door. Includes heater, electric windshield wiper, one sliding glass window in the door & one in the right side of canopy. Defroster fan & dome light included.

**Options**

**Cab Heater Only**

Heater with two-speed fan for units without All Weather Cab.

**Windshield Washer**

Includes reservoir, pump and nozzle.

**Floor Mat**

Vinyl mat with foam backing.

**Operator Suspension Seat**

Small suspension built in to provide additional operator comfort. Deluxe seat upholstery springs provide additional operator comfort.

**Noise Reduction Kit**

Includes floor mat, control valve cover and side panels of foam backed vinyl for noise reduction.

**Air Conditioning**

Air Conditioner w/134 coolant.

**ELECTRICAL**

**Strobe Lights**

Yellow strobe light mounted on each side of turret weight box.

**Boom Work Lights**

One worklight mounted to boom to light boom tip, and one work light mounted to turret to light ground under boom tip.

**Work Lights - Rear**

Two work lights recessed in rear bumper

**RCL Light Bar**

3 color light bar for external indication of load status

**BOOM ATTACHMENTS**

**Boom Extension**

20 ft. (6.1 m) Offset. Boom stowable. Boom extension is offsettable to 3 different positions; 0 degree (in line), 15 degree and 30 degree offset.

**Sheave Block**

Two-Part Line

**Searcher Hook**

Nose Mount 5,000 lb (2,270 kg)



**IC-250-E**  
**Industrial Crane**

The IC-250 has the versatility to perform facility maintenance, re-fits, upgrades and expansion projects. This quality crane will keep you productive every step of the way.

- Capacity**  
36,000 lbs. (16,330 kg)
- Sheave Height**  
79' 6" (24.23 m)  
(with boom extension)
- Horizontal Reach**  
70' 1" (21.4 m)  
(with boom extension)
- Height**  
7' 11" (2.41 m)
- Width**  
7' 10" (2.39 m)

Broderon Cranes are manufactured to ISO 9001:2015 certified standards and have a market leading reputation for quality and reliability. Broderon Cranes are engineered for operating efficiency and are easy to operate and maintain.

An extensive network of full-service dealers offer parts and service support by factory-trained technicians.

For additional options or special equipment not listed, please consult your dealer salesperson or contact Broderon Manufacturing Corp.

**BRODERSON<sup>®</sup>**  
Manufacturing Corp.  
14741 West 106th Street  
Lenexa, KS 66215 USA

(913) 888-0606  
www.BMCcranes.com

Dimensions and values shown are for reference purposes only. Specifications subject to change.

