

Potain HDT 80

Product Guide



Features

- 6000 kg (13,228 lb) maximum capacity
- 1350 kg (2976 lb) maximum capacity at 45 m (148 ft)
- 45 m (148 ft) maximum operating hook radius
- 53,7 m (176 ft) maximum hook height with 45 m (148 ft) jib raised
- 34,2 m (112 ft) maximum hook height with jib horizontal

Features



High performance, simplicity, reliability, and unmatched productivity

Offering multiple mast heights and jib lengths, the HDT 80 allows continuous operation whether you're on a spacious job in the country or a highly congested site in the city. Along with its physical versatility, the HDT 80 features electrical operation, providing a quiet, clean lifting solution to customers who may be limited by noise and emissions regulations.

Variable height cab

The fully enclosed variable height cab provides better visibility and optimum efficiency on the jobsite by allowing the operator to place himself at the any height on the mast for the best vantage point for operation.



Remote control with indicators

The remote control with indicators, in combination with variable frequency drives for all main functions, allows the HDT 80 operator to easily maneuver the crane from within an approximate three-hundred foot radius.

Transport axle sets

Simplify road transport with Potain's optional transport axle set SL122 / J215M. This trailer adjusts pneumatically and travels at speeds up to 80 km/h (50 mph). Other axle sets are available for on-site transportation.



Specifications	4
Transport	5
Weights	6
Dimensions	7
Load charts	8
Crane profile and working range	9
Mechanisms	10
Metric dimension	11
Metric load charts	12
Metric crane profile and working range	13
Metric mechanisms	14
Symbols glossary	15

Specifications



Jib

31 m (102 ft) radius standard bi-folding offsettable lattice jib. Two (2) tie bar lines with adjustable lengths allow jib to be offset 30°. Two (2) erecting speeds controlled from the remote, opening and aligning are carried out automatically by hydraulic cylinders.



*Optional jib extension

9 m (30 ft) removable jib extension allows radius of 40 m (131 ft). Additional 5 m (16 ft) jib extension provides a maximum radius of 45 m (148 ft).



Mast

Galvanized telescoping three (3) section mast provides three (3) possible operating heights (measured at jib feet): 13,6 m (45 ft), 22,9 m (75 ft), 32,2 m (106 ft) mast sections lock into position automatically.



Chassis

Outriggers swing and are locked into position. 4,5 m (14.8 ft) square outrigger spread with 3,3 m (10.8 ft) slewing radius. Slewing radius with *cab is 3,7 m (12.1 ft). Level bubble integrated into the chassis. Outrigger pads are stowed on the crane during transport.



*Ballast

Ballast requirement for the crane consists of thirteen (13) slabs each weighing 2850 kg (6283 lb).



*Optional hydraulic ballasting derrick

Uses the hoisting winch to ballast the crane or dismantle/attach *fifth-wheel. Stows alongside the jib during transport.



Electrical requirement

480 volt, 60 Hz measured at the turntable. Earth rod and electric cable stored on the crane during transport.



Reeving

SM/DM block for 2 or 4-part line. One pin removal to change between SM and DM. Pure SM1 (section of hookblock removed) is possible with gain of 100 kg (220 lb) lifting capacity.



*Optional Anemometer

Electronic wind speed meter (anemometer) to alert the operator of wind speed conditions. Provides selective display on the radio remote. Crane can be operated with wind gusts up to 72 km/h (45 mph).



Controls

Wireless remote control provides information to the operator about **wind speed, radius, hook height, load, and moment. Lights and buzzers alert the operator when nearing limits of operation.

Auxiliary remote attached by umbilical cord ensures continual operation in case of battery or other malfunction of the wireless remote control.



Swing

RVF+61 slewing mechanism with maximum swing speed of 0.8 RPM. Progressive control of speed with counter-slewing possible, anti-load swinging system makes aligning the load and jib easier.



Hoist

20 LVF 15: 20 HP variable frequency hoist with 1,5 t (1.7 US t) line pull. Three notch, progressive speed change according to the accelerating or decelerating ramps.



Trolley

5 DVF 5: 6.5 HP variable frequency motor with 3 notches for progressive speed change according to acceleration or deceleration ramps controlled by the frequency converter.



Hydraulic equipment

Hydraulic cylinders are used for raising the mast, unfolding the jib, and slewing the derrick. All actions are carried out by the remote control.



*Optional transport axle sets

Axle sets are available for both jobsite and highway applications. Jobsite axle sets for the HDT 80 are rated for 25 kp/h (15.5 mph); highway axle set is rated for 80 kp/h (50 mph).

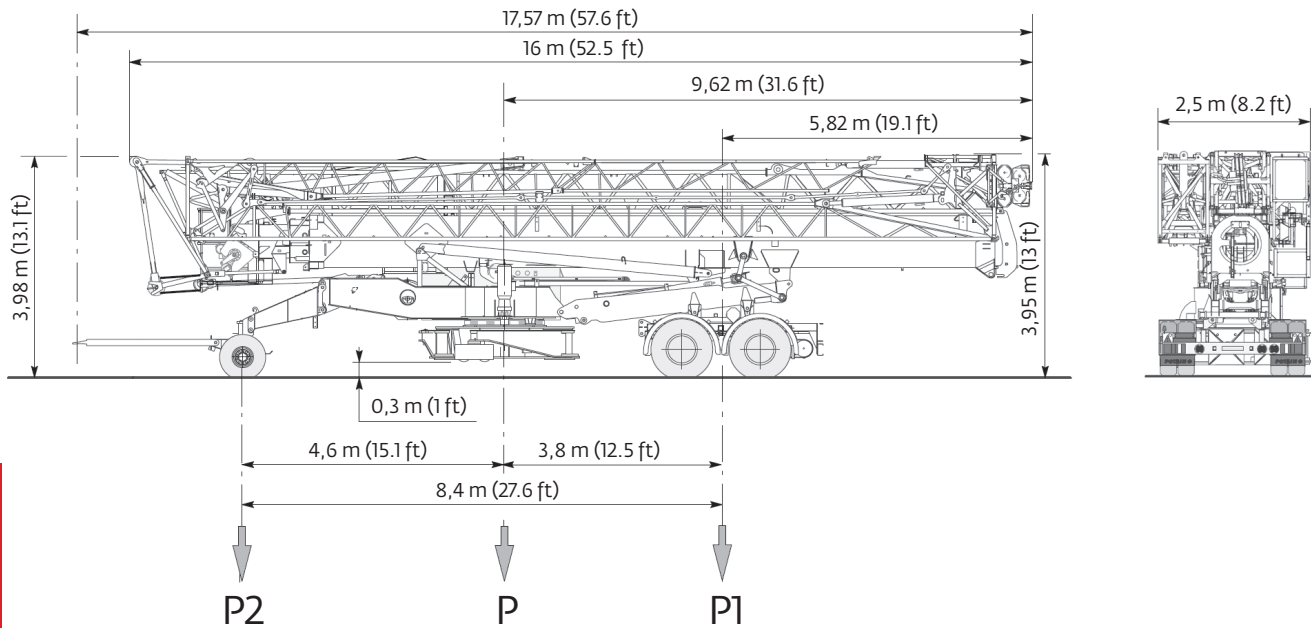
*Optional equipment

* STANDARD NORTH AMERICAN SPECIFICATION: Includes 45 m (148 ft) luffing jib, variable height cab, hydraulic ballasting derrick, high outrigger pads, wireless remote control, and Dialog Wind.

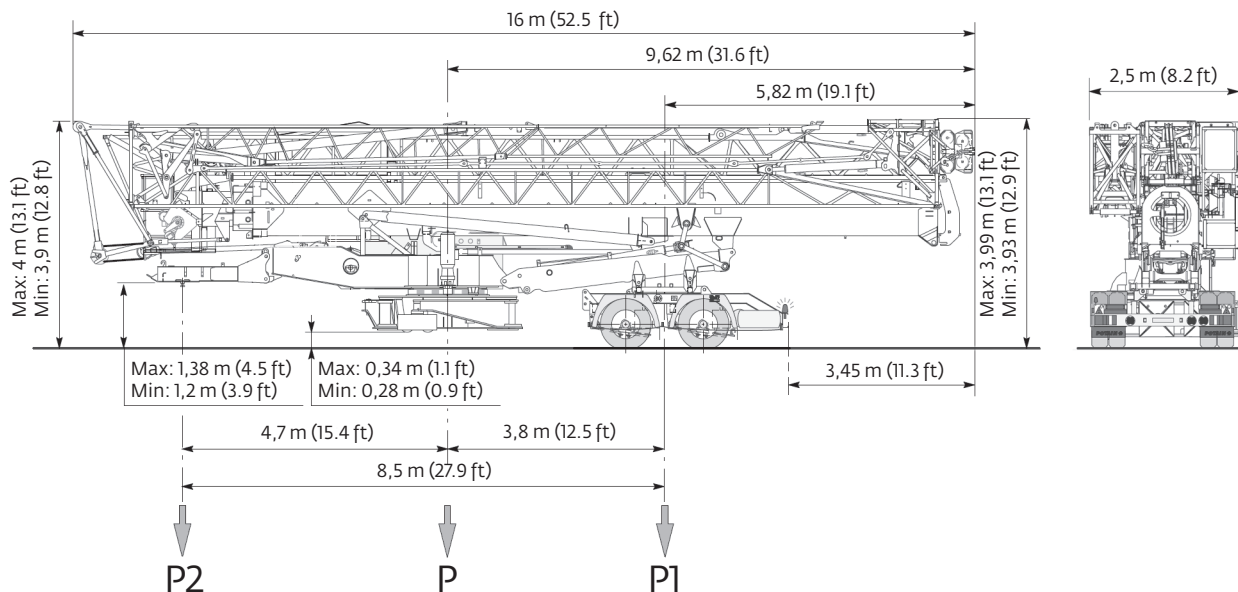
- * Top Tracing
- * Wind speed alarm
- * Transport axles and kits

Consult price list for additional options.

DJ126M / S215M 25 km/h / 15.5 mph



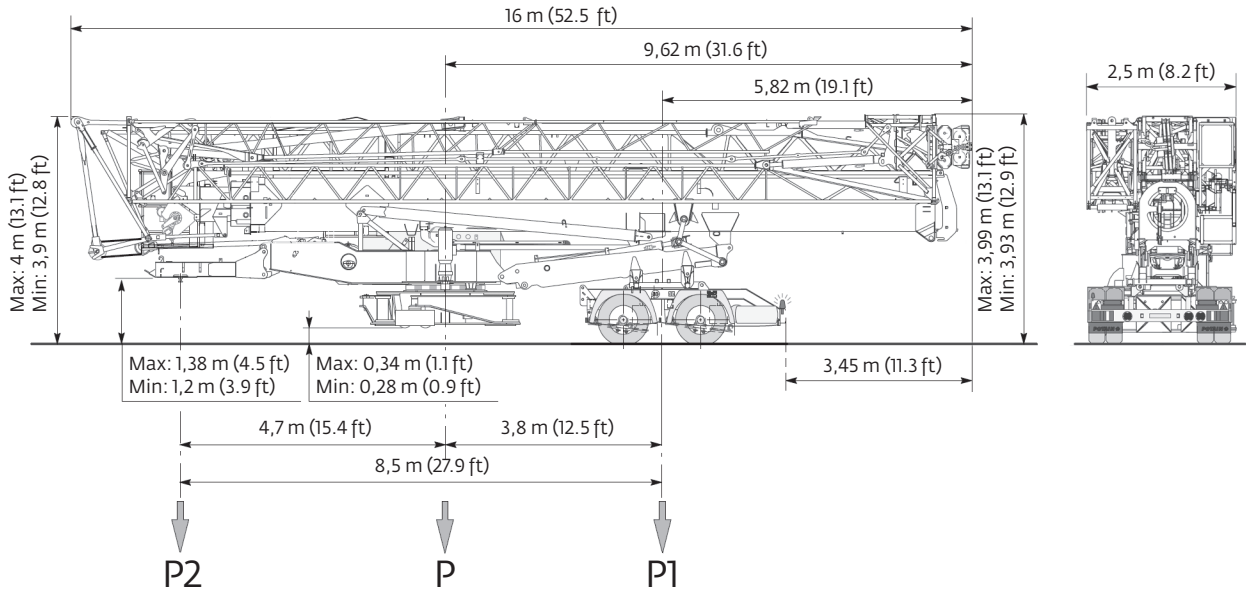
SL121 / S215M 25 km/h / 15.5 mph



NOTE: Dimensions and weights may vary due to manufacturing tolerances.

Weights

SL122 / J215M 80 km/h / 50 mph



Chassis data (in transport position)

	DJ126M / S215M 25 km/h / 15.5 mph		SL121 / S215M 25 km/h / 15.5 mph		SL122 / J215M 80 km/h / 50 mph	
	(meters)	(feet)	(meters)	(feet)	(meters)	(feet)
Overall length	17,57	57.6	16	52.5	16	52.5
Overall height	3,98	13.1	Max: 4 Min: 3,9	Max: 13.1 Min: 12.8	Max: 4 Min: 3,9	Max: 13.1 Min: 12.8
Overall width	2,5	8.2	2,5	8.2	2,5	8.2
Overhang	5,82	19.1	5,82	19.1	5,82	19.1

Weights

Crane weight less counterweight:	23 400 kg	51,587 lb
Crane weight for operation (13 slabs):	37 050 kg	81,680 lb
Crane with counterweight:	60 450 kg	133,267 lb

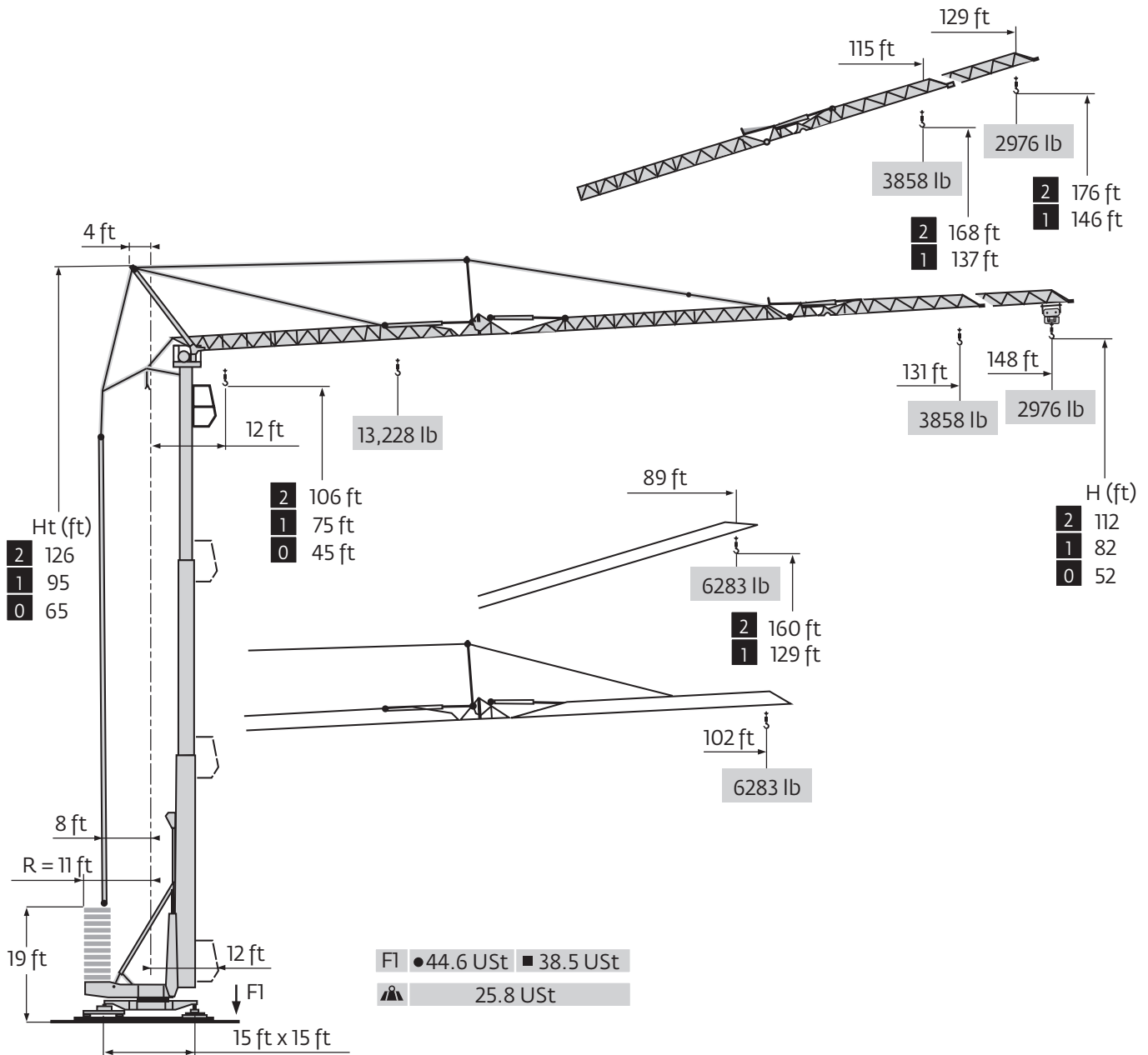
Crane with transport equipment

In transport with no counterweight:	DJ126M / S215M 25 km/h / 15.5 mph		SL121 / S215M 25 km/h / 15.5 mph		SL122 / J215M 80 km/h / 50 mph	
	(kilograms)	(pounds)	(kilograms)	(pounds)	(kilograms)	(pounds)
Gross (P)	26 950	59,414	26 400	58,201	26 300	57,981
Rear (P1)	18 210	40,146	18 300	40,344	18 200	40,124
Front (P2)	8740	19,268	8100	17,857	8100	17,857

NOTE: Dimensions and weights may vary due to manufacturing tolerances.

Dimensions

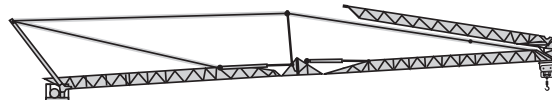
maximcrane.com



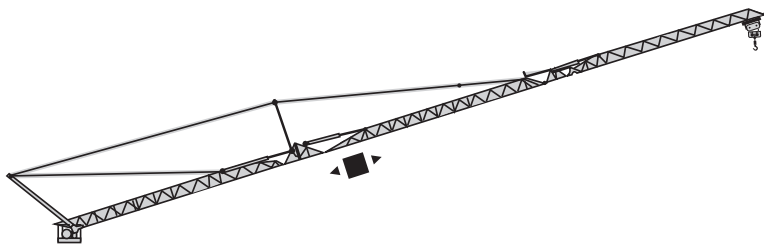
Load charts



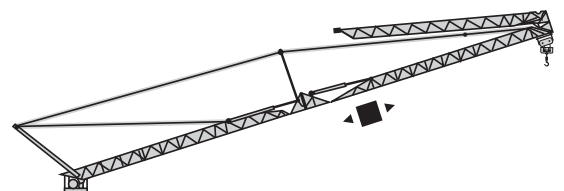
148 ft	11	▶	44	49	56	66	72	78	82	89	98	105	115	121	131	138	148	ft	
			13,228	11,321	9678	7915	7022	-	5975	5423	4740	4365	3880	3605	3241	3031	2756	lb	
			6614 6195 5644 4960 4586 4101 3825 3461 3252 2976															lb	
131 ft	11	▶	47	49	56	66	72	82	85	89	98	105	115	121	131	ft			
			13,228	12,478	10,681	8741	7771	6636	-	6030	5280	4861	4332	4034	3638	lb			
			6614 6250 5501 5082 4553 4255 3858															lb	
102 m	11	▶		54	56	66	72	82	89	97	98	102	ft						
				13,228	12,621	10,351	9226	7893	7187	-	6316	6063	lb						
				6614 6537 6283															lb



148 ft	11	▶	46	49	56	66	72	82	83	89	98	102	ft					
			13,228	12,247	10,483	8576	7628	6504	-	5908	5181	4960	lb					
			6614 6129 5401 5181															lb
131 ft	11	▶	49	49	56	66	72	82	88	89	98	102	ft					
			13,228	12,985	11,133	9105	8102	6923	-	6283	5512	5291	lb					
			6614 6504 5732 5512															lb

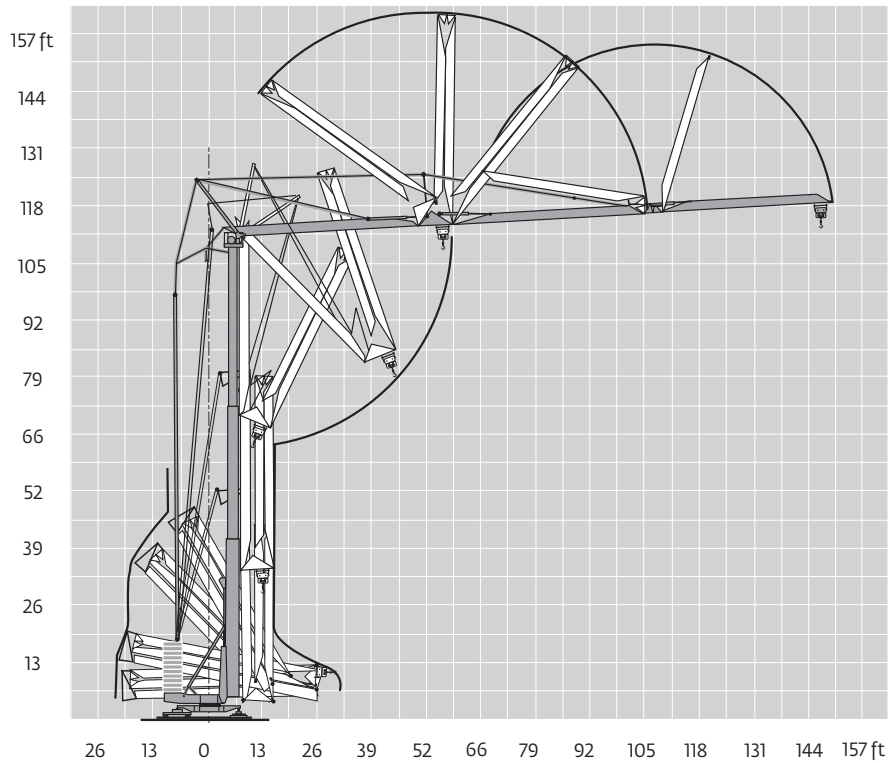


148 ft	11	▶	66	68	72	82	89	98	105	115	121	129	ft							
			6614	-	5941	5049	4564	3968	3649	3230	2987	2756	lb							
			6614 6162 5269 4784 4189 3869 3450 3208 2976															lb		
131 ft	11	▶		72	74	82	89	98	105	115	ft									
				6614	-	5611	5093	4442	4079	3638	lb									
				6614 5831 5313 4663 4299 3858															lb	
102 ft	11	▶			83	85	89	ft												
					6614	-	6063	lb												
					6614 6283															lb

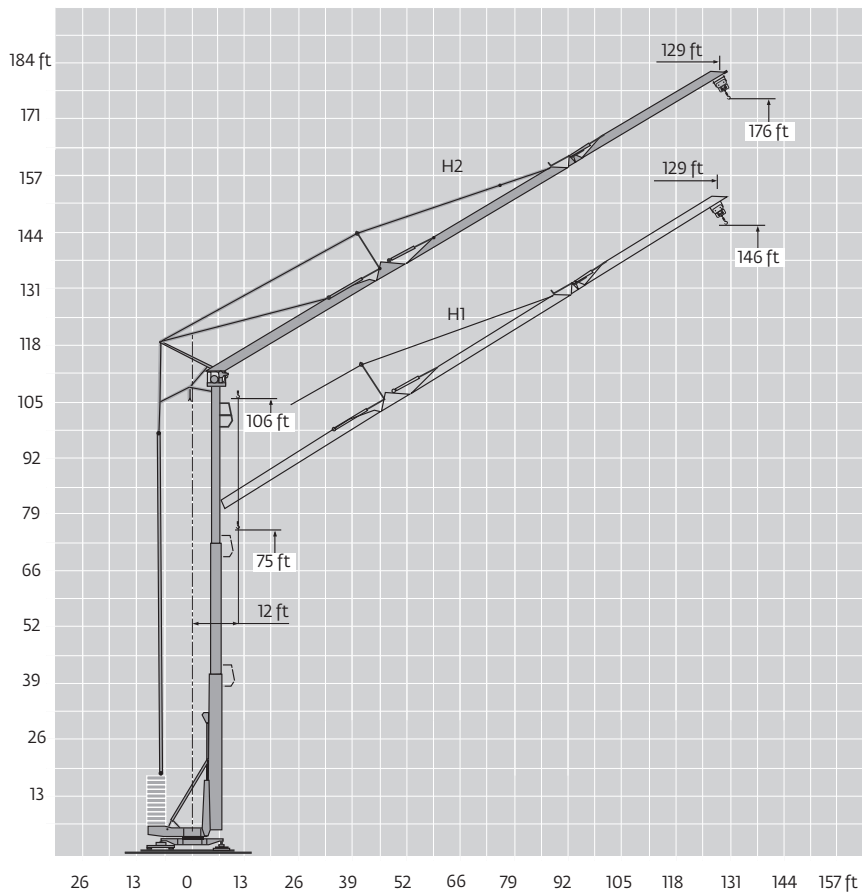


148 ft	11	▶	71	72	73	82	89	ft											
			6614	6471	-	5501	4960	lb											
			6614 5721 5181															lb	
131 ft	11	▶		74	76	82	89	ft											
				6614	-	5864	5291	lb											
				6614 6085 5512															lb

Crane profile and working range








HDT 80: jib raised 30°








THIS CHART IS ONLY A GUIDE AND SHOULD NOT BE USED TO OPERATE THE CRANE.

The individual crane's load chart, operating instructions and other instructional plates must be read and understood prior to operating the crane

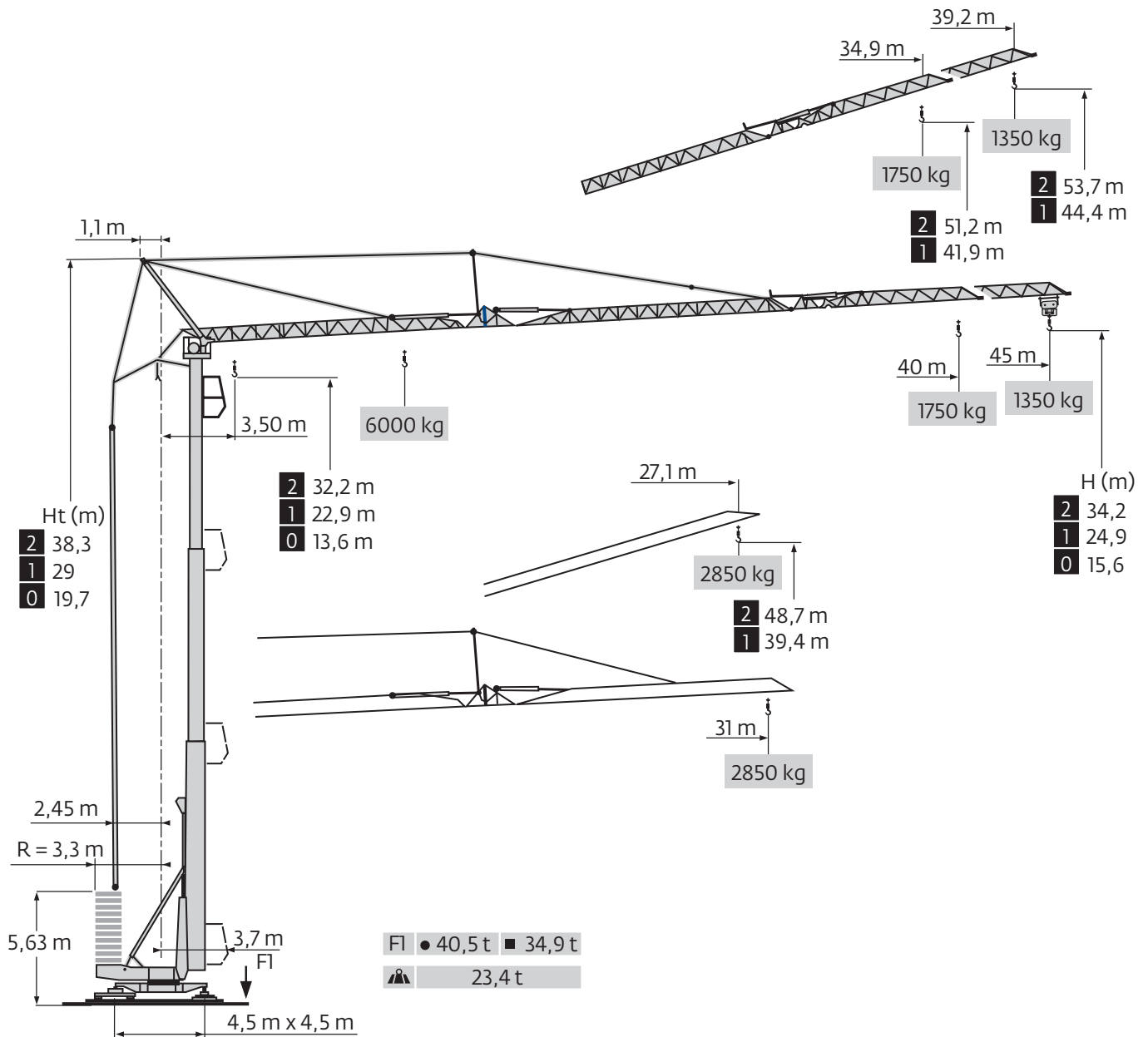
Mechanisms

	20 LVF 15	fpm lb											hp	kW
			13	85	138	171	223	7	43	69	85	112		
			6614	6614	3968	3086	1543	13,228	13,228	7937	6173	3086	20	15
	5 DVF 5	fpm	30 - 73 - 191 (6614 lb)					30 - 73 - 145 (13,228 lb)					6.5	4.8
	RVF+61	rpm	0 - 0.8									8	5.9	

CEI 38		IEC 38	kVA
480V (+6% -10%) 60 Hz			20 LVF 15 : 43 A

	Hoisting
	Trolleying
	Slewing
	Traveling

Metric dimensions



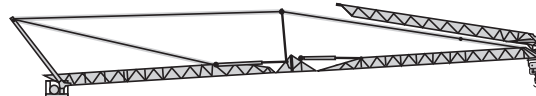
THIS CHART IS ONLY A GUIDE AND SHOULD NOT BE USED TO OPERATE THE CRANE.

The individual crane's load chart, operating instructions and other instructional plates must be read and understood prior to operating the crane

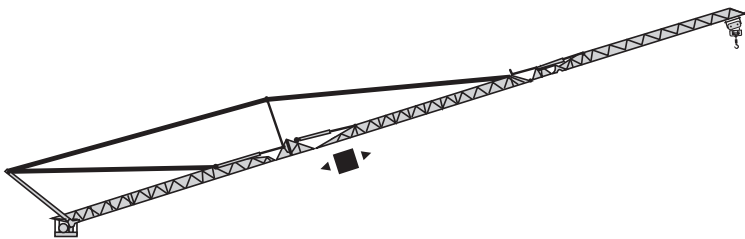
Metric load charts



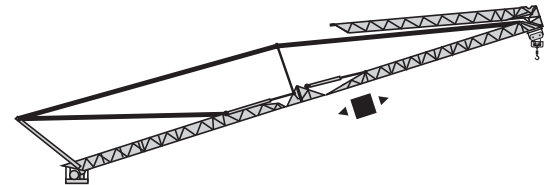
45 m	3,5 ▶	13,3	15	17	20	22	23,7	25	27	30	32	35	37	40	42	45	m
▲▲▲	□/□	6000	5135	4390	3590	3185	-	2710	2460	2150	1980	1760	1635	1470	1375	1250	kg
	□	3000 2810 2560 2250 2080 1860 1735 1570 1475 1350															
40 m	3,5 ▶	14,3	15	17	20	22	25	25,8	27	30	32	35	37	40	m		
▲▲▲	□/□	6000	5660	4845	3965	3525	3010	-	2735	2395	2205	1965	1830	1650	kg		
	□	3000 2835 2495 2305 2065 1930 1750															
31 m	3,5 ▶	16,4	17	20	22	25	27	29,7	30	31	m						
▲▲▲	□/□	6000	5725	4695	4185	3580	3260	-	2865	2750	kg						
	□	3000 2965 2850															



45 m	3,5 ▶	14,1	15	17	20	22	25	25,3	27	30	31	m					
▲▲▲	□/□	6000	5555	4755	3890	3460	2950	-	2680	2350	2250	kg					
	□	3000 2780 2450 2350															
40 m	3,5 ▶	14,8	15	17	20	22	25	26,7	27	30	31	m					
▲▲▲	□/□	6000	5890	5050	4130	3675	3140	-	2850	2500	2400	kg					
	□	3000 2950 2600 2500															

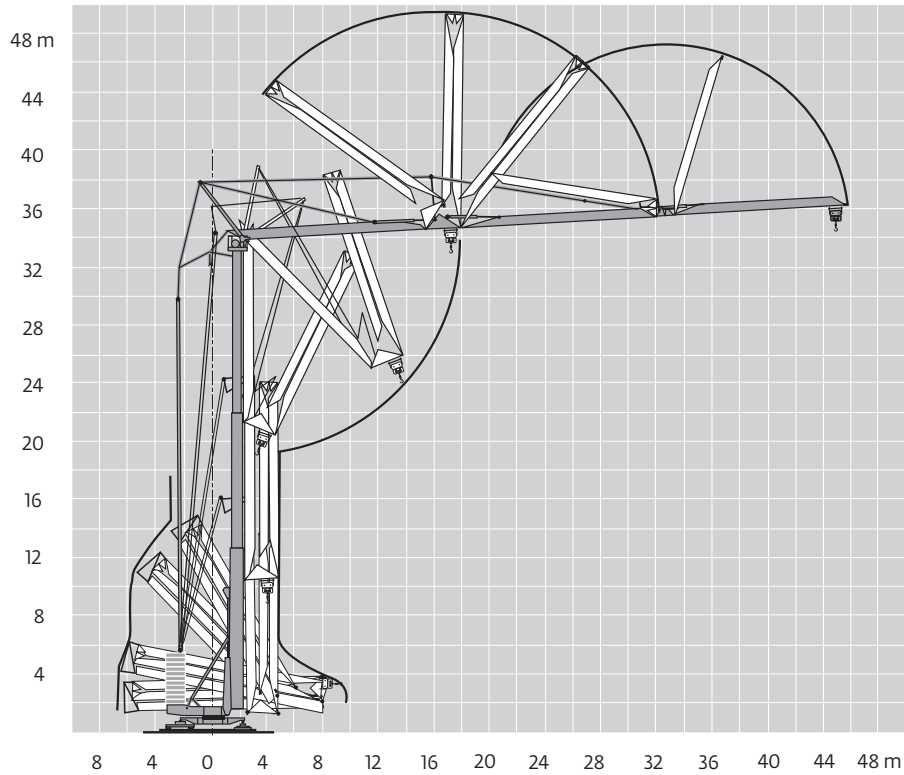


45 m	3,5 ▶	20,2	20,8	22	25	27	30	32	35	37	39,2	m					
▲▲▲	□/□	3000	-	2695	2290	2070	1800	1655	1465	1355	1250	kg					
	□	3000 2795 2390 2170 1900 1755 1565 1455 1350															
40 m	3,5 ▶	22	22,6	25	27	30	32	34,9	m								
▲▲▲	□/□	3000	-	2545	2310	2015	1850	1650	kg								
	□	3000 2645 2410 2115 1950 1750															
31 m	3,5 ▶	25,3	26	27,1	m												
▲▲▲	□/□	3000	-	2750	kg												
	□	3000 2850															

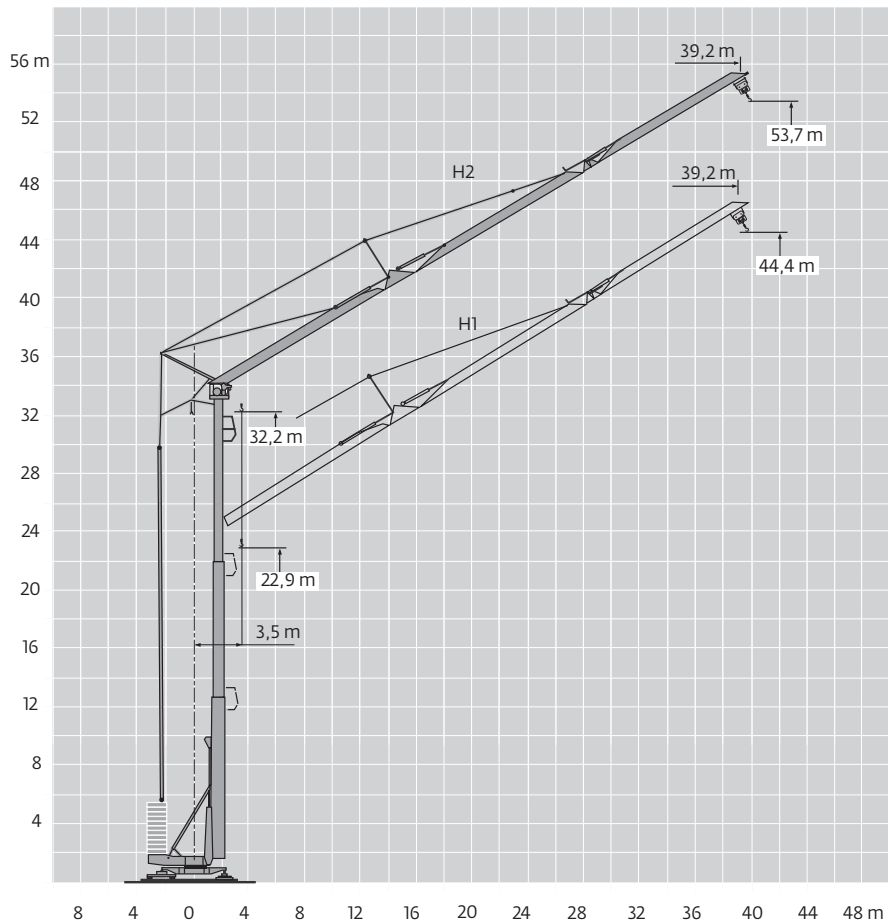


45 m	3,5 ▶	21,6	22	22,2	25	27,1	m										
▲▲▲	□/□	3000	2935	-	2495	2250	kg										
	□	3000 2595 2350															
40 m	3,5 ▶	22,7	23,3	25	27,1	m											
▲▲▲	□/□	3000	-	2660	2400	kg											
	□	3000 2760 2500															

Metric crane profile and working range








HDT 80: jib raised 30°









THIS CHART IS ONLY A GUIDE AND SHOULD NOT BE USED TO OPERATE THE CRANE.

The individual crane's load chart, operating instructions and other instructional plates must be read and understood prior to operating the crane

Metric mechanisms

												hp	kW	
	20 LVF15	m/min	4	26	42	52	68	2	13	21	26	34	20	15
		kg	3000	3000	1800	1400	700	6000	6000	3600	2800	1400		
	5 DVF5	m/min	9 - 22 - 58 (3000 kg)					9 - 22 - 44 (6000 kg)					6,5	4,8
	RVF+61	rpm	0 → 0,8									8	5,9	

CEI 38  IEC 38	
400V (+6% -10%) 50 Hz	20 LVF15 : 35 kVA

	Hoisting
	Trolleying
	Slewing
	Traveling

Symbols glossary



Jib



Mast



Anemometer



Swing



Outrigger



Chassis



Hydraulic equipment



Controls



Electrical requirement



Ballast



Transport axle



Ballasting derrick



Reeving



Hoist



Trolley



Jib extension

maximcrane.com

Regional headquarters

Manitowoc - Americas

Manitowoc, Wisconsin, USA

Tel: +1 920 684 6621

Fax: +1 920 683 6277

Shady Grove, Pennsylvania, USA

Tel: +1 717 597 8121

Fax: +1 717 597 4062

Manitowoc - Europe, Middle East, Africa

Ecully, France

Tel: +33 (0)4 72 18 20 20

Fax: +33 (0)4 72 18 20 00

Manitowoc - Asia Pacific

Shanghai, China

Tel: +86 21 6457 0066

Fax: +86 21 6457 4955

Regional offices

Americas

Brazil

Alphaville

Mexico

Monterrey

Chile

Santiago

Europe, Middle East, Africa

Czech Republic

Netvorice

France

Baudemont

Cergy

Decines

Germany

Langenfeld

Hungary

Budapest

Italy

Parabiago

Netherlands

Breda

Poland

Warsaw

Portugal

Baltar

Russia

Moscow

U.A.E.

Dubai

U.K.

Buckingham

Asia - Pacific

Australia

Brisbane

Melbourne

Sydney

China

Beijing

Chengdu

Guangzhou

India

Delhi

Hyderabad

Pune

Korea

Seoul

Philippines

Makati City

Singapore

Factories

Brazil

Alphaville

China

TaiAn

Zhangjiagang

France

Charlieu

La Clayette

Moulins

Germany

Wilhelmshaven

India

Pune

Italy

Niella Tanaro

Portugal

Baltar

Fânzeres

Slovakia

Saris

USA

Manitowoc

Port Washington

Shady Grove

This document is non-contractual. Constant improvement and engineering progress make it necessary that we reserve the right to make specification, equipment, and price changes without notice. Illustrations shown may include optional equipment and accessories and may not include all standard equipment.