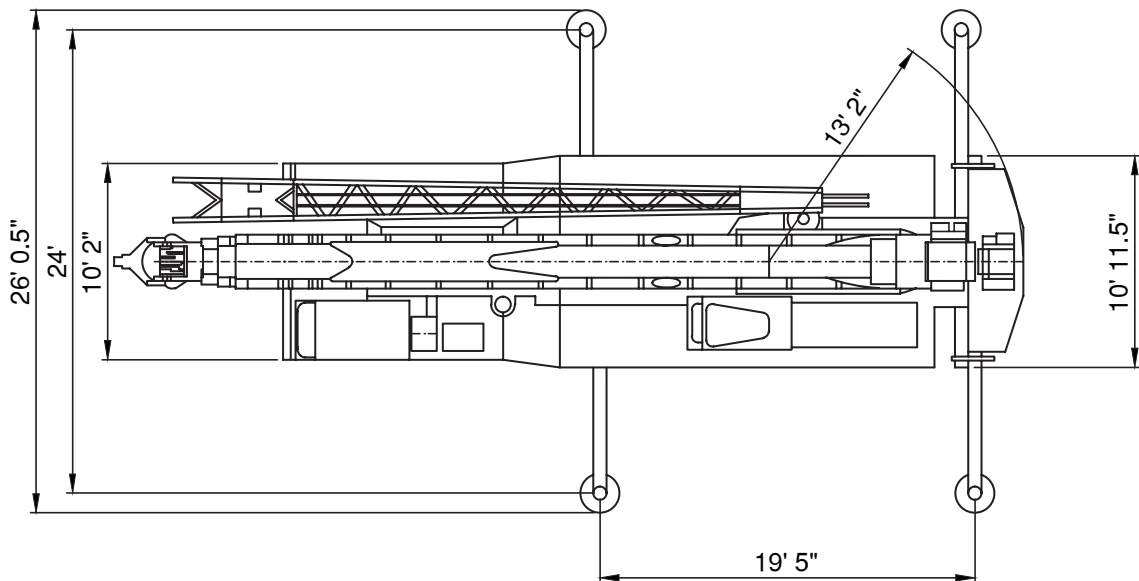
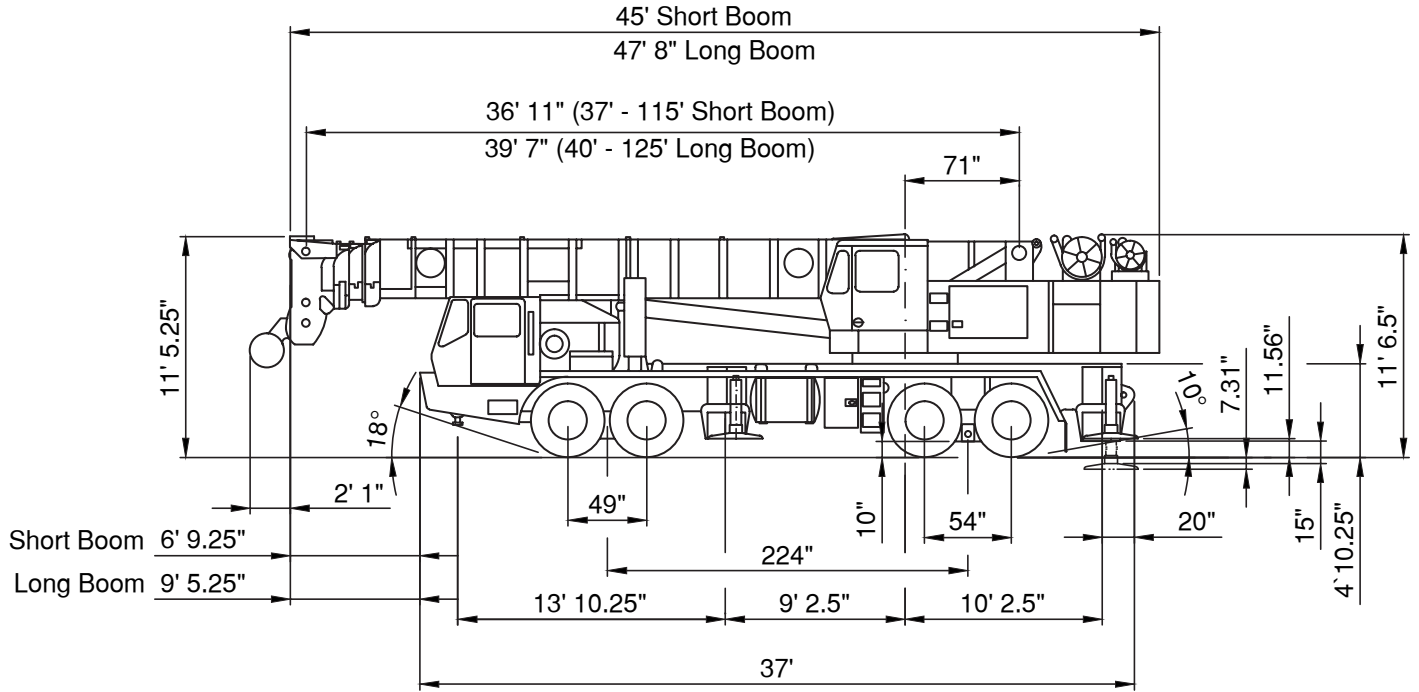
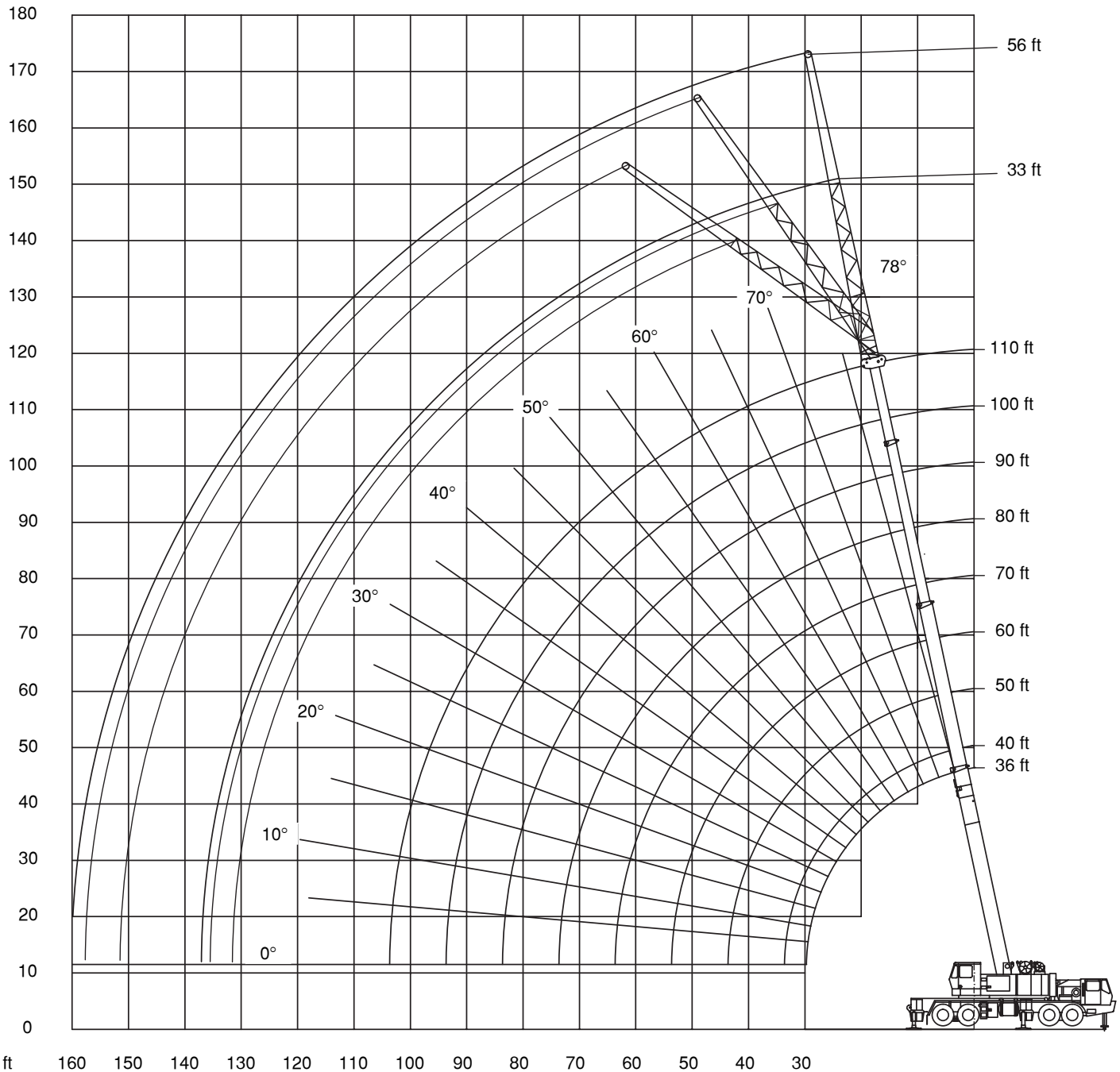


All information given are for reference only.





ft 160 150 140 130 120 110 100 90 80 70 60 50 40 30


36-110 ft

16,500 lbs

19'5" x 24'

360°
85
85%

ft	36	40	50	60*	70	80	90	100	110	ft
10	120	84.4	80.2	62.5						10
12	100	84.4	80.2	62.5	36.8					12
15	87.3	82.7	80.2	61	36.8	36.8	31			15
20	68.25	65	64.3	50.65	36.8	36.8	31	29.1	24	20
25	54.9	53.1	52	41.8	36.8	34	30	27	24	25
30		39.35	38.7	37.85	33.4	29	25.3	24.2	22	30
35			29.4	28.4	28.7	25	22.2	21.75	20	35
40			23.05	22.1	22.75	22	20.2	19	18.5	40
45				17.55	18.25	18.8	17.8	17.3	17.3	45
50				14.05	14.85	15.6	16	16	16	50
55					12.2	12.95	13.65	14.1	14.1	55
60					10.05	10.85	11.6	12	12.2	60
65						9.11	9.9	10.25	10.6	65
70						7.65	8.45	8.82	9	70
75							7.21	7.58	7.8	75
80							6.15	6.49	6.6	80
85								5.55	5.8	85
90								4.73	5	90
95									4.27	95
100									3.6	100

* 60 ft boom length is with inner-mid extended and outer-mid & fly retracted

All information given are for reference only.

Hydraulic Truck Cranes

Grove TMS 760 E



60 t



110 ft



33/56 ft



16,500 lbs



19'5" x 24'



360°

85

85%

ft	0°	33 25°	45°	0°	56 25°	45°	ft
30	12.9						30
35	12.9			8.33			35
40	12.9	10.85		8.33			40
45	12.9	10.45	7.41	8.33			45
50	12.1	10	7.2	8.33			50
55	11.1	9.22	6.99	8.25	5.3		55
60	10.1	8.55	6.8	7.54	5.14		60
65	9.13	7.93	6.65	7.16	5.1	3.86	65
70	8.46	7.38	6.49	6.82	5.1	3.79	70
75	7.84	6.9	6.37	6.3	4.8	3.66	75
80	7.23	6.47	6.11	5.81	4.58	3.55	80
85	6.47	6.07	5.78	5.37	4.47	3.45	85
90	5.67	5.72	5.48	4.98	4.33	3.41	90
95	4.97	5.4	5.2	4.63	4.07	3.3	95
100	4.35	4.84	4.95	4.32	3.83	3.26	100
105	3.79	4.21	4.47	4.04	3.62	3.22	105
110	3.29	3.64		3.76	3.41	3.18	110
115	2.83	3.13		3.29	3.23	3.06	115
120	2.42	2.66		2.86	3.05	2.94	120
125	2.04	2.24		2.47	2.89	2.8	125
130	1.7			2.12	2.59		130
135				1.79	2.2		135
140				1.48	1.84		140
145				1.2	1.5		145