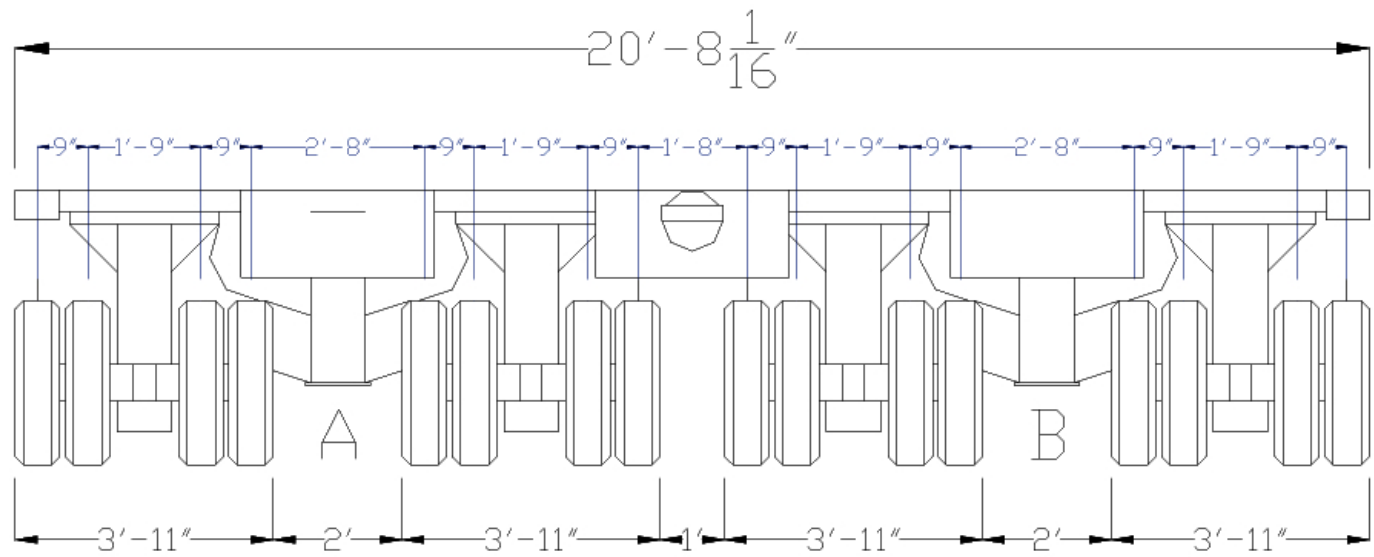
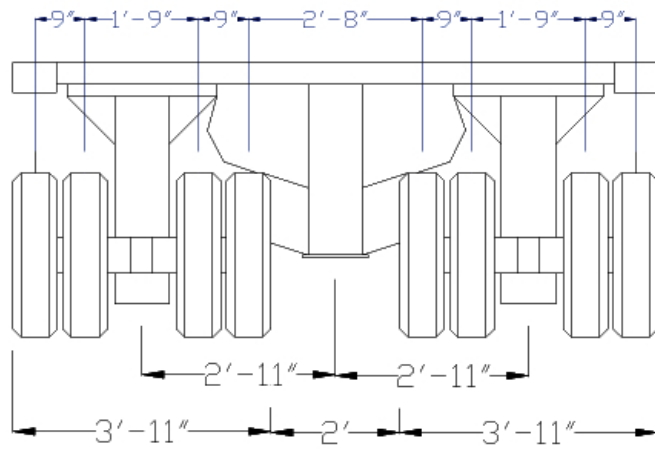
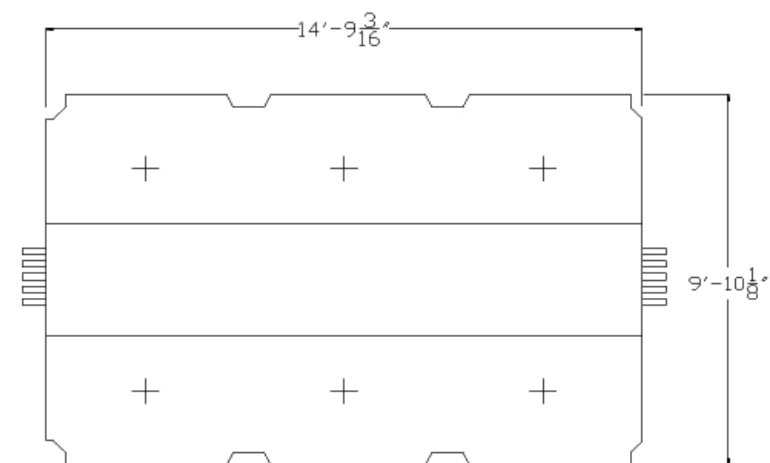
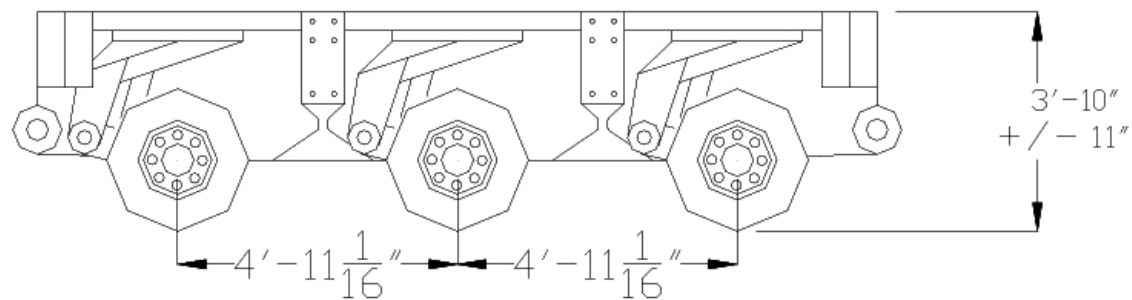


# Modular Transporters

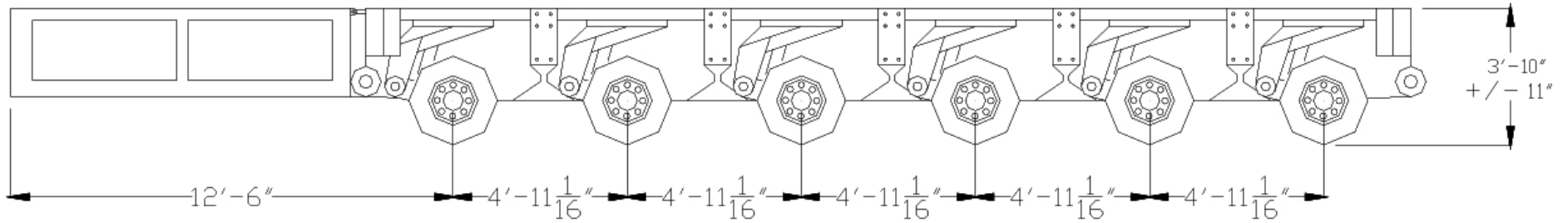
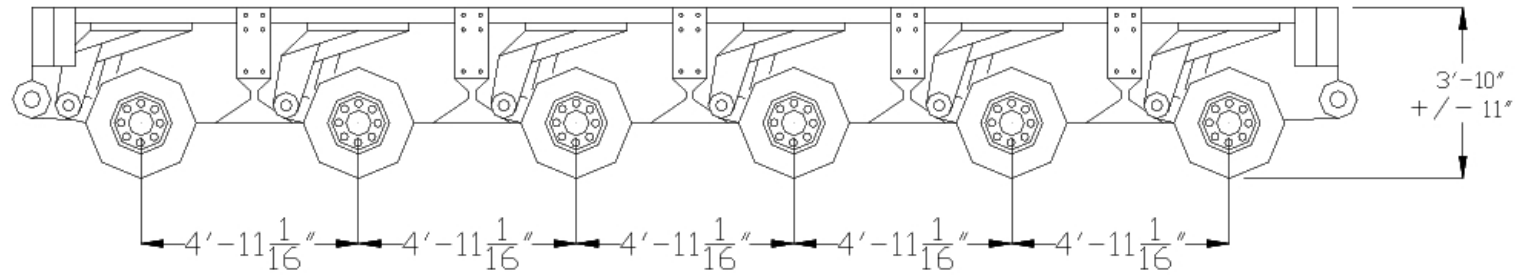






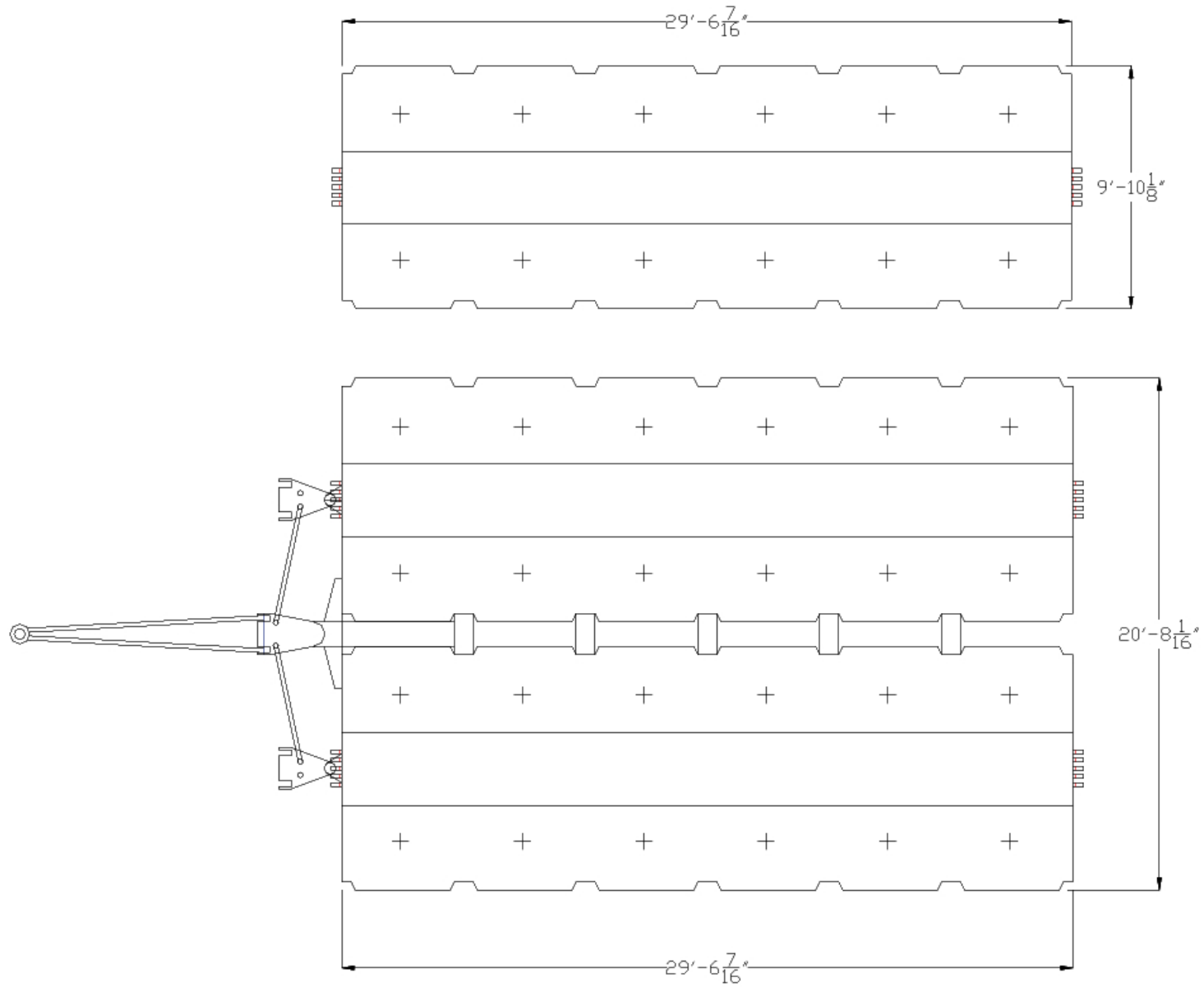
**Technical Data**

| Speed                             | 3 mph                      | 30 mph     | 50 mph     |
|-----------------------------------|----------------------------|------------|------------|
| Deadweight (without accessories)  | 21,830 lbs                 |            |            |
| Technical axle load per axle line | 74,960 lbs                 | 40,570 lbs | 38,160 lbs |
| Maximum payload                   | 203,050 lbs                | 99,880 lbs | 86,650 lbs |
| Tires                             | 215/75 R 17.5 135/133 J TL |            |            |



**Technical Data**

| Speed                             | 3 mph                      | 30 mph      | 50 mph      |
|-----------------------------------|----------------------------|-------------|-------------|
| Deadweight (without accessories)  | 43,650 lbs                 |             |             |
| Technical axle load per axle line | 74,960 lbs                 | 40,570 lbs  | 38,160 lbs  |
| Maximum payload                   | 406,110 lbs                | 199,770 lbs | 173,310 lbs |
| Tires                             | 215/75 R 17.5 135/133 J TL |             |             |



Multiple units can be combined side-by-side or end-to-end to increase capacity.