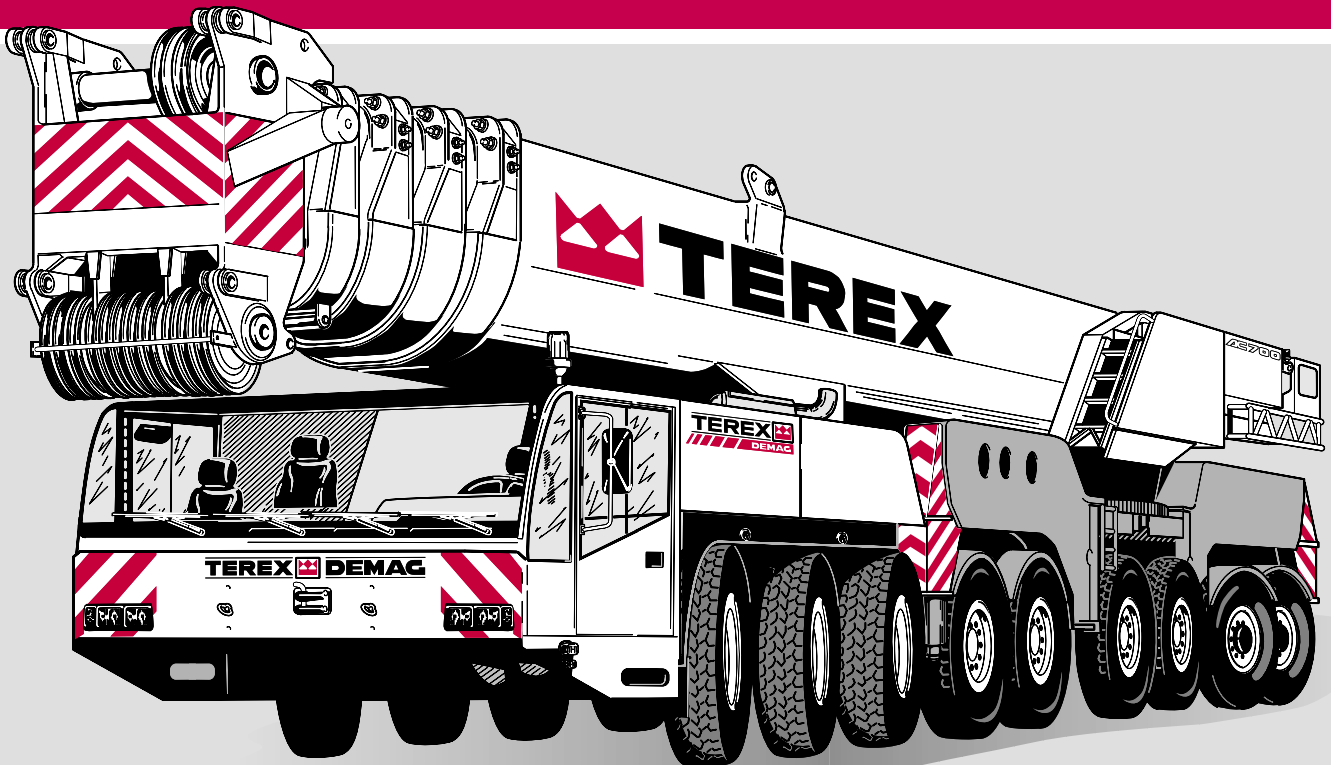


# AC 700

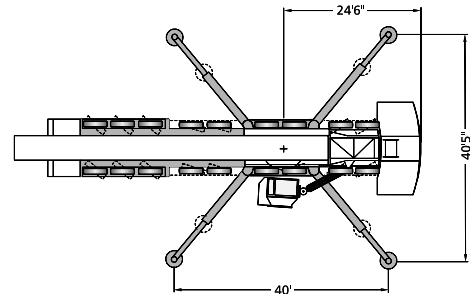
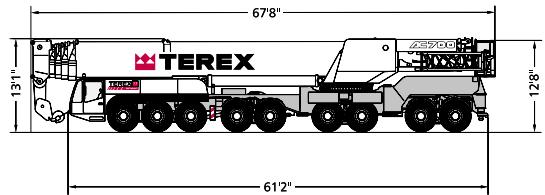
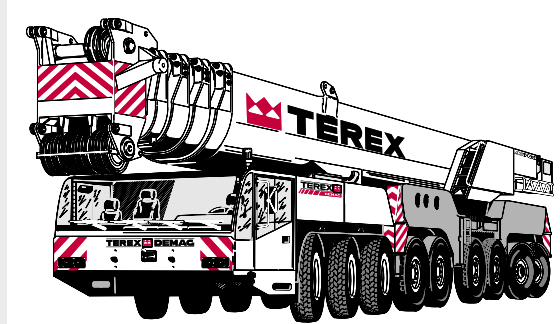


  
**800t**

# HIGHLIGHTS

## Demag AC 700

- ▶ Most powerful telescopic crane in the world roadable with full main boom
- ▶ Superior boom technology provides exceptional lifting capacities
- ▶ Exceptional capacity enhancements due to new Sideways Superlift
- ▶ Star-type outriggers giving enhanced stability
- ▶ Fast rigging and optimized transport weights for all configurations



WWW. [terex-cranes.com](http://terex-cranes.com)

# Contents

Page:

## Specifications

Dimensions . . . . .	4
Specifications . . . . .	6

1

## Main boom

Working ranges . . . . .	7
Lifting capacities . . . . .	8
Lifting capacities with SSL 0° . . . . .	11

2

## Main boom extension

Working ranges . . . . .	13
Lifting capacities . . . . .	14
Lifting capacities with SSL 0° + 30° . . . . .	15

3

## Fixed fly jib

Working ranges . . . . .	17
Lifting capacities . . . . .	18
Lifting capacities with SSL 0° + 30° . . . . .	19
Working ranges with SSL 0° + 30° . . . . .	20

4

## Luffing fly jib

Working ranges . . . . .	21
Lifting capacities . . . . .	22
Working ranges with SSL . . . . .	31
Lifting capacities with SSL . . . . .	32

5

## Technical description

Carrier · Superstructure · Optional equipment . . . . .	37
---	----

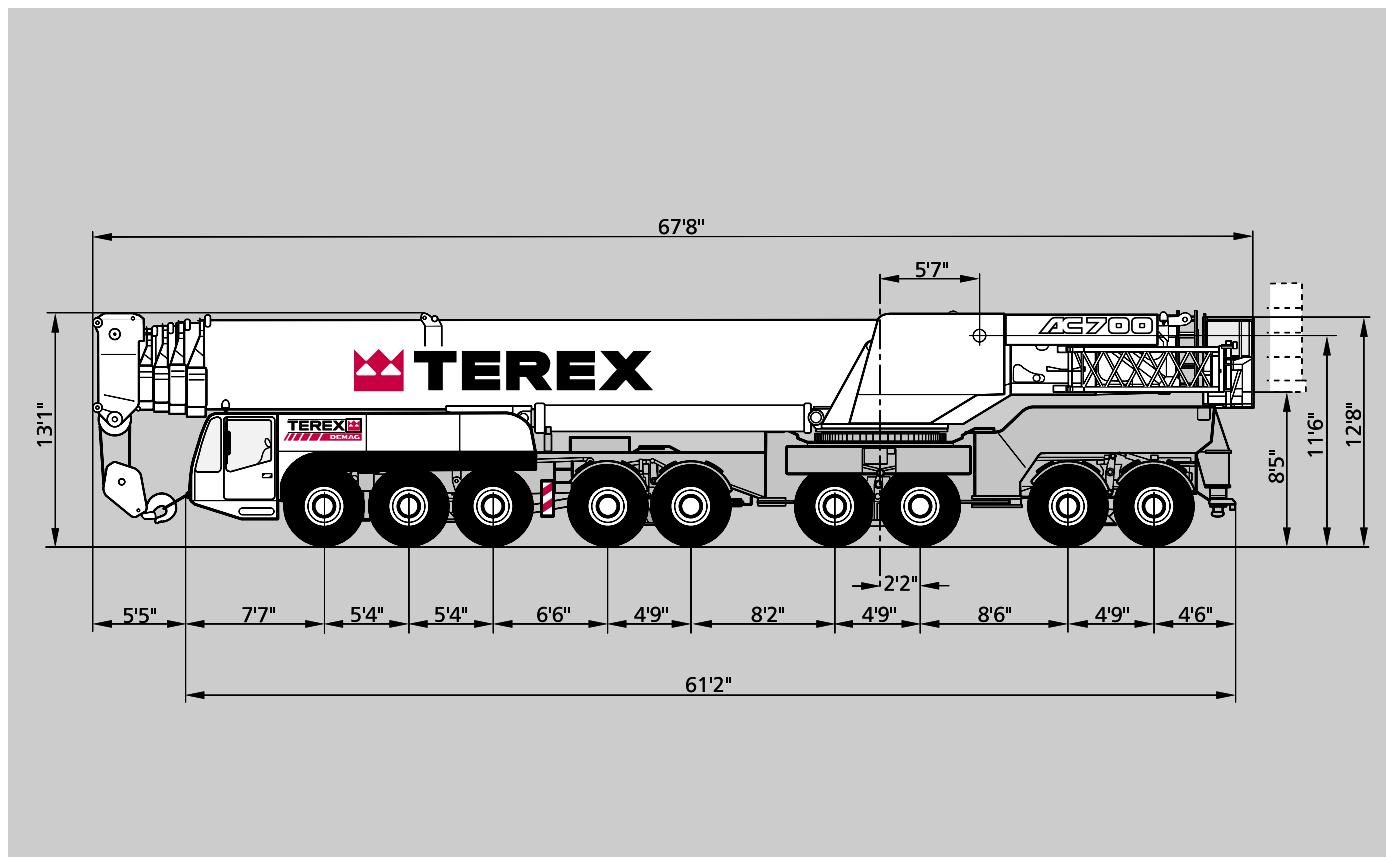
6

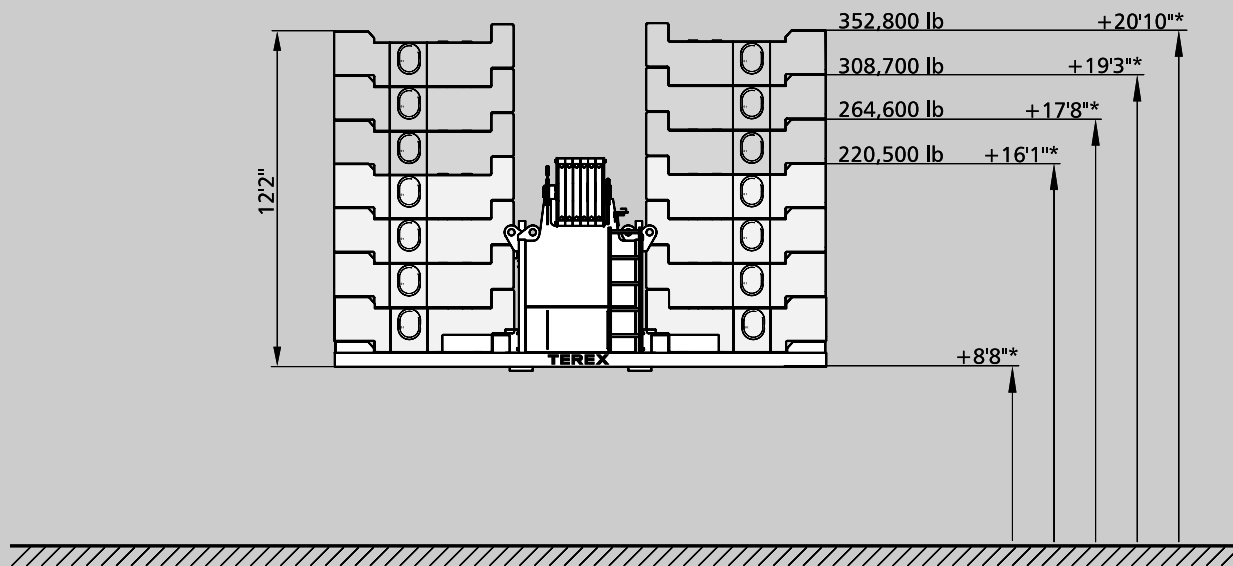
## Overview of standard duty charts

. . . . .	38
-----------	----

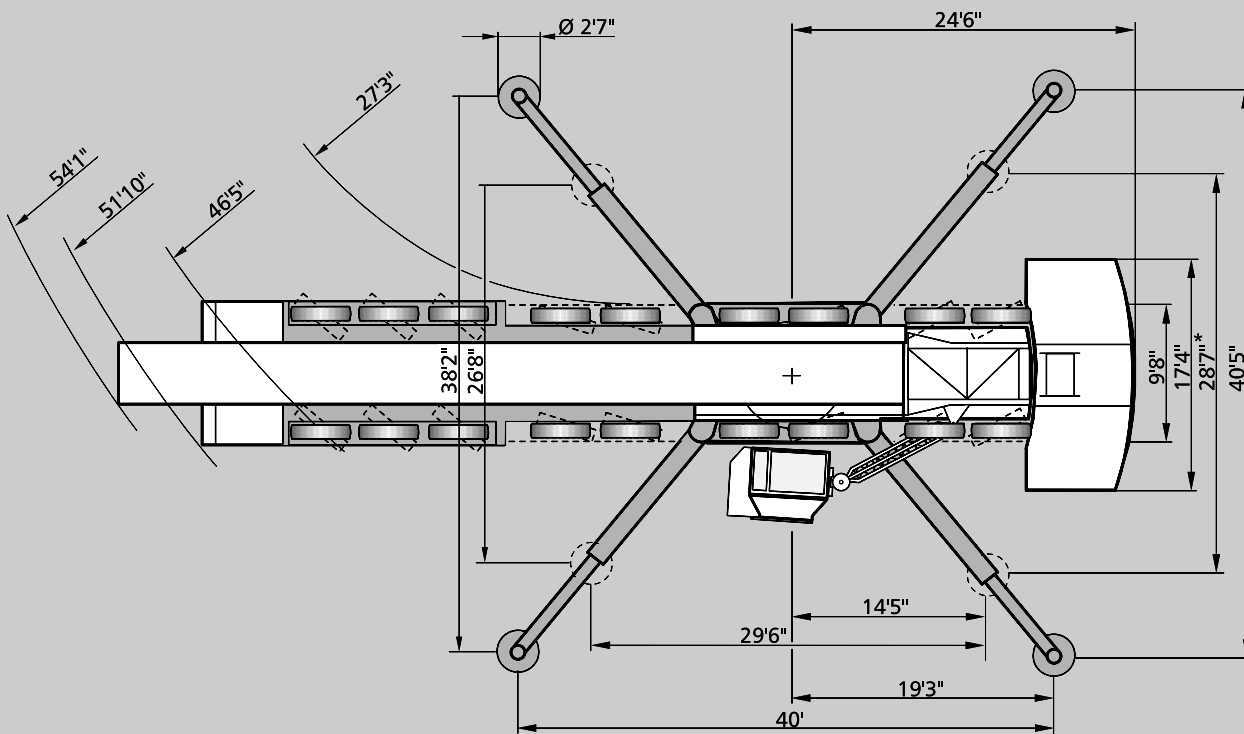
7

# Dimensions





\* Tail swing above ground



\*)Duties with reduced outrigger base on request

# Specifications

## Axle loads and weights

Crane with main boom, rear outriggers and hook block

Axles	9 x 26,500 lb
Total weight	238,500 lb

## Working speeds (infinitely variable)

Mechanisms	Line speed	Max. permissible line pull	Rope length
Hoist I	max. 469 ft / min	30,150 lb	1 640 ft
Hoist II	max. 495 ft / min	30,150 lb	2 530 ft
Slewing			max. 1.0 rpm
Telescoping speed			50.9 – 196.6 ft: approx. 480 s
Boom elevation			-0.5° – +83°: 120 s

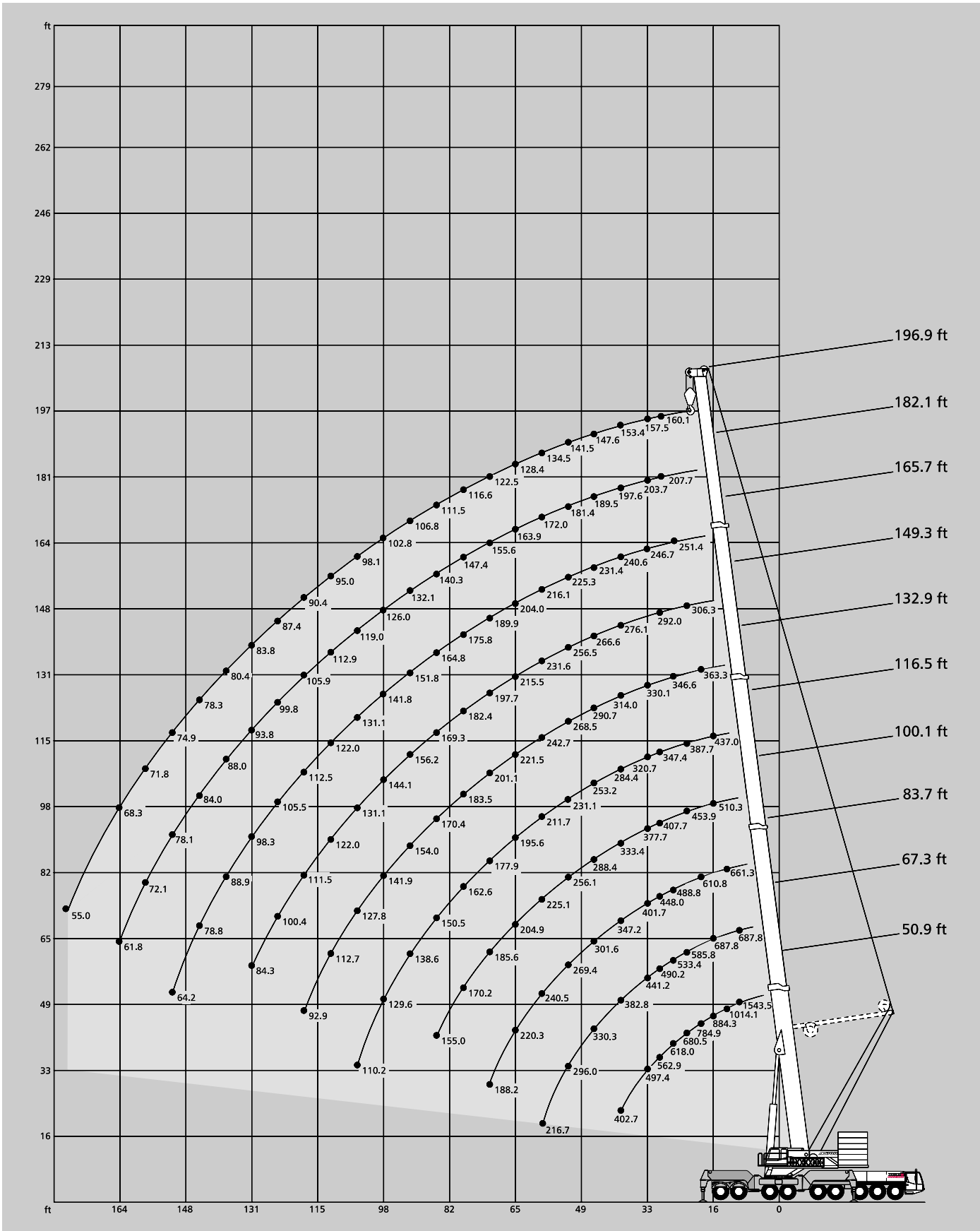
## Carrier performance

Travel speed	0 to 39 mph
--------------	-------------

## Hook block / Heavy-lift attachment

Type	Possible load	Number of sheaves	Weight	„D“	max. reeving	Heavy-lift attachment
320	689,000 lb	13	8,800 lb	13 ft	26	2 add. sheaves
250	518,100 lb	9	6,200 lb	13 ft	19	
200	417,000 lb	7	5,700 lb	10 ft	15	
160	311,000 lb	5	4,900 lb	10 ft	11	
100	203,000 lb	3	4,000 lb	10 ft	7	
40	88,200 lb	1	2,700 lb	9 ft	3	
13.5	30,000 lb	Single line hook	1,400 lb	7 ft	1	

# Working ranges main boom



# Lifting capacities main boom

308,700 lb 

 360°

DIN/ISO

Radius ft	Main boom														Radius ft	
	ft	50.9*	50.9	67.3*	67.3	83.7*	83.7	100.0	116.5	132.9	149.3	165.7	182.1	196.9		
								1,000 lb								
10	1543.5 <sup>1)</sup>	-	687.8	-	-	-	-	-	-	-	-	-	-	-	-	10
10	1255.1 <sup>2)</sup>	687.8	687.8	687.8	687.8	-	-	-	-	-	-	-	-	-	-	10
11	1147.6 <sup>2)</sup>	687.8	687.8	687.8	687.8	-	-	-	-	-	-	-	-	-	-	11
13	1014.1 <sup>2)</sup>	687.8	687.8	687.8	687.8	661.3	661.3	-	-	-	-	-	-	-	-	13
15	923.3 <sup>2)</sup>	685.3	687.8	684.6	661.3	661.3	-	-	-	-	-	-	-	-	-	15
16	884.3 <sup>2)</sup>	674.5	687.8	671.2	661.3	661.3	510.3	437.0	-	-	-	-	-	-	-	16
19	784.9 <sup>2)</sup>	614.4	659.9	611.7	610.8	610.8	486.1	416.8	353.8	-	-	-	-	-	-	19
23	680.5	544.0	585.8	539.6	535.2	535.2	453.9	387.7	321.6	271.0	-	-	-	-	-	23
26	618.0	499.7	533.4	497.3	488.8	488.8	431.7	367.6	299.4	256.9	-	-	-	-	-	26
29	562.9	462.7	490.2	458.6	448.0	448.0	407.7	347.4	279.1	244.6	227.0	-	-	-	-	29
33	497.4	419.4	441.2	415.0	401.7	401.7	377.7	320.7	254.7	228.5	211.0	183.5	-	-	-	33
39	402.7	367.0	382.8	364.6	347.2	347.2	333.4	284.4	224.5	205.3	190.8	165.3	144.0	-	-	39
46	-	-	330.3	314.9	301.6	301.6	288.4	253.2	197.0	181.6	168.4	148.6	129.9	-	-	46
52	-	-	296.0	282.6	269.4	269.4	256.1	231.1	176.9	164.5	153.3	136.5	120.9	-	-	52
59	-	-	216.7	206.7	240.5	240.5	225.1	211.7	156.6	146.7	136.8	124.6	110.3	-	-	59
65	-	-	-	-	220.3	220.3	204.9	195.6	142.5	133.6	125.7	116.5	103.2	-	-	65
72	-	-	-	-	188.2	179.6	185.6	177.9	128.2	120.4	113.8	107.1	95.0	-	-	72
79	-	-	-	-	-	-	170.2	162.6	115.3	108.7	104.4	98.9	87.9	-	-	79
85	-	-	-	-	-	-	155.0	150.5	106.2	100.7	97.3	92.9	82.9	-	-	85
92	-	-	-	-	-	-	-	138.6	97.9	91.3	89.1	85.8	77.0	-	-	92
98	-	-	-	-	-	-	-	129.6	90.8	85.3	83.1	80.8	72.0	-	-	98
105	-	-	-	-	-	-	-	110.2	84.8	79.3	77.1	74.9	67.2	-	-	105
111	-	-	-	-	-	-	-	-	78.8	74.3	72.1	69.9	63.8	-	-	111
118	-	-	-	-	-	-	-	-	73.9	68.4	66.2	65.7	59.5	-	-	118
124	-	-	-	-	-	-	-	-	-	65.1	62.7	62.1	56.1	-	-	124
131	-	-	-	-	-	-	-	-	-	60.9	58.5	58.1	52.5	-	-	131
138	-	-	-	-	-	-	-	-	-	56.9	54.5	54.5	49.5	-	-	138
144	-	-	-	-	-	-	-	-	-	-	51.7	51.7	46.8	-	-	144
151	-	-	-	-	-	-	-	-	-	-	48.6	48.6	44.0	-	-	151
157	-	-	-	-	-	-	-	-	-	-	-	46.2	42.0	-	-	157
164	-	-	-	-	-	-	-	-	-	-	-	43.4	39.6	-	-	164
177	-	-	-	-	-	-	-	-	-	-	-	-	35.7	-	-	177
190	-	-	-	-	-	-	-	-	-	-	-	-	-	-	-	190

## Remarks

\* central jack leg + 352,800 lb counterweight

1) over rear, special attachment required, on request

2) over rear, heavy-lift attachment required



220,500 lb 

 360°

DIN/ISO

		Main boom										
Radius	ft	50.9	67.3	83.7	100.0	116.5	132.9	149.3	165.7	182.1	196.9	Radius
		1,000 lb										
10		687.8	687.8	-	-	-	-	-	-	-	-	10
11		687.8	687.8	-	-	-	-	-	-	-	-	11
13		687.8	687.8	661.3	-	-	-	-	-	-	-	13
15		682.7	682.1	659.7	-	-	-	-	-	-	-	15
16		661.2	657.9	653.0	510.3	437.0	-	-	-	-	-	16
19		598.5	595.8	596.3	486.1	416.8	353.8	-	-	-	-	19
23		528.6	524.2	526.4	453.9	387.7	321.6	271.0	-	-	-	23
26		486.3	481.8	484.1	431.7	367.6	299.4	256.9	-	-	-	26
29		449.5	446.9	447.3	407.7	347.4	279.1	244.6	227.0	-	-	29
33		408.4	404.0	401.7	377.7	320.7	254.7	228.5	211.0	183.5	-	33
39		358.0	353.6	347.2	333.4	284.4	224.5	205.3	190.8	165.3	144.0	39
46		-	297.1	299.3	288.4	253.2	197.0	181.6	168.4	148.6	129.9	46
52		-	256.8	259.0	256.1	231.1	176.9	164.5	153.3	136.5	120.9	52
59		-	206.5	220.7	225.1	211.7	156.6	146.7	136.8	124.6	110.3	59
65		-	-	186.5	190.9	194.6	142.5	133.6	125.7	116.5	103.2	65
72		-	-	156.1	159.5	163.9	128.2	120.4	113.8	107.1	95.0	72
79		-	-	-	144.8	140.4	115.3	108.7	104.4	98.9	87.9	79
85		-	-	-	129.7	124.2	106.2	100.7	97.3	92.9	82.9	85
92		-	-	-	-	108.8	97.9	91.3	89.1	85.8	77.0	92
98		-	-	-	-	97.7	90.8	85.3	83.1	80.8	72.0	98
105		-	-	-	-	88.1	83.7	79.3	77.1	74.9	67.2	105
111		-	-	-	-	-	76.7	74.3	72.1	69.9	63.8	111
118		-	-	-	-	-	68.4	68.4	66.2	65.7	59.5	118
124		-	-	-	-	-	-	63.0	62.7	62.1	56.1	124
131		-	-	-	-	-	-	56.8	58.1	58.1	52.5	131
138		-	-	-	-	-	-	51.4	52.5	54.5	49.5	138
144		-	-	-	-	-	-	-	48.3	50.5	46.8	144
151		-	-	-	-	-	-	-	43.8	46.0	44.0	151
157		-	-	-	-	-	-	-	-	42.6	42.0	157
164		-	-	-	-	-	-	-	-	38.8	39.0	164
177		-	-	-	-	-	-	-	-	-	32.9	177

# Lifting capacities main boom

**132,300 lb**   **360°** **DIN/ISO**

		Main boom											
Radius	ft	50.9	67.3	83.7	100.0	116.5	132.9	149.3	165.7	182.1	196.9	Radius	ft
		1,000 lb											
10		687.8	687.8	-	-	-	-	-	-	-	-	10	
11		687.8	687.8	-	-	-	-	-	-	-	-	11	
13		687.8	687.8	661.3	-	-	-	-	-	-	-	13	
15		667.0	662.6	657.2	-	-	-	-	-	-	-	15	
16		644.1	639.7	639.7	510.3	437.0	-	-	-	-	-	16	
19		582.6	578.2	580.4	486.1	416.8	353.8	-	-	-	-	19	
23		513.2	511.0	511.0	453.9	387.7	321.6	271.0	-	-	-	23	
26		472.9	468.6	470.7	431.7	367.6	299.4	256.9	-	-	-	26	
29		436.2	433.7	434.0	407.7	347.4	279.1	244.6	227.0	-	-	29	
33		383.6	379.2	381.4	377.3	320.7	254.7	228.5	211.0	183.5	-	33	
39		317.1	312.7	314.9	318.8	284.4	224.5	205.3	190.8	165.3	144.0	39	
46		-	241.9	246.3	246.3	242.0	197.0	181.6	168.4	148.6	129.9	46	
52		-	189.5	191.8	207.0	200.7	176.9	164.5	153.3	136.5	120.9	52	
59		-	146.9	149.1	164.6	159.0	155.5	146.7	136.8	124.6	110.3	59	
65		-	-	123.8	138.2	132.7	129.4	129.6	125.7	116.5	103.2	65	
72		-	-	101.9	115.2	109.7	106.4	107.5	108.4	107.1	95.0	72	
79		-	-	-	97.6	92.1	93.3	89.8	92.0	94.2	87.9	79	
85		-	-	-	86.5	81.0	86.3	81.8	79.9	82.1	82.9	85	
92		-	-	-	-	69.2	74.7	75.9	68.1	71.4	71.4	92	
98		-	-	-	-	62.4	66.7	69.8	61.8 **	63.6	64.2	98	
105		-	-	-	-	54.8	59.7	61.9	57.3 **	55.5	56.2	105	
111		-	-	-	-	-	53.8	56.0	53.4 **	49.5	50.1	111	
118		-	-	-	-	-	48.1	50.1	49.8 **	43.3	43.7	118	
124		-	-	-	-	-	-	45.6	46.2 **	38.6	39.1	124	
131		-	-	-	-	-	-	40.9	41.6 **	33.8	34.3	131	
138		-	-	-	-	-	-	36.9	37.3 **	29.6	30.0	138	
144		-	-	-	-	-	-	-	32.4 **	26.4	26.8	144	
151		-	-	-	-	-	-	-	21.1	23.1	23.5	151	
157		-	-	-	-	-	-	-	-	20.6	20.9	157	
164		-	-	-	-	-	-	-	-	18.0	18.3	164	
177		-	-	-	-	-	-	-	-	-	13.9	177	

**0 lb**   **360°** **DIN/ISO**

		Main boom												
Radius	ft	50.9	67.3	83.7	100.0	116.5	132.9	149.3	159.1	165.7	182.1	196.9	Radius	ft
		1,000 lb												
10		687.8	687.8	-	-	-	-	-	-	-	-	-	10	
11		687.8	687.8	-	-	-	-	-	-	-	-	-	11	
13		683.7	681.7	662.8	-	-	-	-	-	-	-	-	13	
15		638.3	634.2	636.1	-	-	-	-	-	-	-	-	15	
16		615.5	612.7	613.3	510.3	437.0	-	-	-	-	-	-	16	
19		548.7	544.7	546.5	486.1	416.8	364.9	-	-	-	-	-	19	
23		448.8	443.8	380.2	360.5	310.0	268.3	241.9	-	-	-	-	23	
26		366.1	308.7	273.3	271.8	237.4	218.0	192.5	153.7	-	-	-	26	
29		274.2	230.1	210.0	215.5	189.8	183.8	170.6	147.6	147.2	-	-	29	
33		179.6	165.5	154.9	165.0	146.4	144.3	140.0	135.6	118.0	114.8	-	33	
39		110.1	102.0	104.5	119.6	120.5	113.1 *	105.7	102.3	87.8	86.6	82.6	39	
46		-	63.0	65.4	82.4	90.1	89.0 *	79.1	77.0	64.2	64.6	62.0	46	
52		-	44.5	46.3	61.8	68.9	69.9 *	63.8	62.6	50.1	51.1	49.3	52	
59		-	30.0	31.2	45.5	52.6	53.4 *	49.2	49.4	37.5	39.1	37.7	59	
65		-	-	22.5	35.8	42.4	43.3 *	39.3	40.2	29.6	31.4	30.3	65	
72		-	-	13.6	27.3	33.5	34.3 *	30.6	31.3	21.8	23.9	23.1	72	
79		-	-	-	20.9	26.9	27.5 *	23.8	24.7	14.7	17.8	17.4	79	
85		-	-	-	16.7	22.2	22.9 *	19.4	20.0	9.5	12.6	13.2	85	
92		-	-	-	-	18.0	18.4 *	15.1	15.7	4.5	7.6	8.5	92	
98		-	-	-	-	14.9	15.4 *	11.5	12.3	-	-	4.8	98	
105		-	-	-	-	-	12.3 *	7.9	8.5	-	-	-	105	
111		-	-	-	-	-	9.7 *	5.3	5.9	-	-	-	111	
118		-	-	-	-	-	-	-	-	-	-	-	118	

**Remarks**

- \* Length of main boom 121.4 ft
- \*\* Length of main boom 159.1 ft

# Lifting capacities main boom with SSL 0°

352,800 lb 

 360°

DIN/ISO

		Main boom						
Radius	ft	116.5	132.9	149.3	165.7	182.1	196.9	Radius
		1,000 lb						
ft								ft
16		429.8	-	-	-	-	-	16
19		429.8	363.3	-	-	-	-	19
23		423.2	352.6	306.3	-	-	-	23
26		417.1	346.6	298.2	251.4	-	-	26
29		407.4	340.5	292.0	249.4	207.7	160.1	29
33		389.0	330.1	286.2	246.7	203.7	157.5	33
39		352.7	314.0	276.1	240.6	197.6	153.4	39
46		310.4	290.7	266.6	231.4	189.5	147.6	46
52		278.2	268.5	256.5	225.3	181.4	141.5	52
59		244.9	242.7	231.6	216.1	172.0	134.5	59
65		222.7	221.5	215.5	204.0	163.9	128.4	65
72		201.1	201.1	197.7	189.9	155.6	122.5	72
79		182.2	183.4	182.4	175.8	147.4	116.6	79
85		165.1	169.3	169.3	164.8	140.3	111.5	85
92		147.2	151.8	155.1	151.8	132.1	106.8	92
98		127.1	139.7	143.0	141.8	126.0	102.8	98
105		98.0	125.6	130.0	131.1	119.0	98.1	105
111		-	110.5	119.9	122.0	112.9	95.0	111
118		-	90.7	109.3	112.5	105.9	90.4	118
124		-	-	98.2	105.5	99.8	87.4	124
131		-	-	83.1	98.3	93.8	83.8	131
138		-	-	-	86.7	88.0	80.4	138
144		-	-	-	76.6	84.0	78.3	144
151		-	-	-	62.4	78.1	74.9	151
157		-	-	-	-	71.1	71.8	157
164		-	-	-	-	60.0	68.3	164
177		-	-	-	-	-	53.5	177

308,700 lb 

 360°

DIN/ISO

		Main boom						
Radius	ft	116.5	132.9	149.3	165.7	182.1	196.9	Radius
		1,000 lb						
ft								ft
16		429.8	-	-	-	-	-	16
19		429.8	363.3	-	-	-	-	19
23		423.2	352.6	306.3	-	-	-	23
26		417.1	346.6	298.2	251.4	-	-	26
29		407.4	340.5	292.0	249.4	207.7	160.1	29
33		389.0	330.1	286.2	246.7	203.7	157.5	33
39		352.7	314.0	276.1	240.6	197.6	153.4	39
46		306.0	290.7	266.6	231.4	189.5	147.6	46
52		273.8	268.5	256.5	225.3	181.4	141.5	52
59		242.7	242.7	231.6	216.1	172.0	134.5	59
65		218.5	221.5	215.5	204.0	163.9	128.4	65
72		192.4	195.7	197.7	189.9	155.6	122.5	72
79		170.1	174.5	176.8	175.8	147.4	116.6	79
85		154.0	158.4	161.7	164.8	140.3	111.5	85
92		138.6	141.9	145.2	148.5	132.1	106.8	92
98		126.5	130.8	133.1	136.4	126.0	102.8	98
105		98.0	116.8	120.1	123.4	119.0	98.1	105
111		-	106.7	109.0	113.3	112.9	95.0	111
118		-	90.6	98.2	102.6	104.8	90.4	118
124		-	-	90.1	94.6	96.8	87.4	124
131		-	-	82.9	86.2	88.4	83.8	131
138		-	-	-	78.0	81.3	80.3	138
144		-	-	-	73.0	75.3	76.3	144
151		-	-	-	62.4	69.3	70.4	151
157		-	-	-	-	65.5	66.2	157
164		-	-	-	-	60.0	61.3	164
177		-	-	-	-	-	53.2	177

# Lifting capacities main boom with SSL 0°

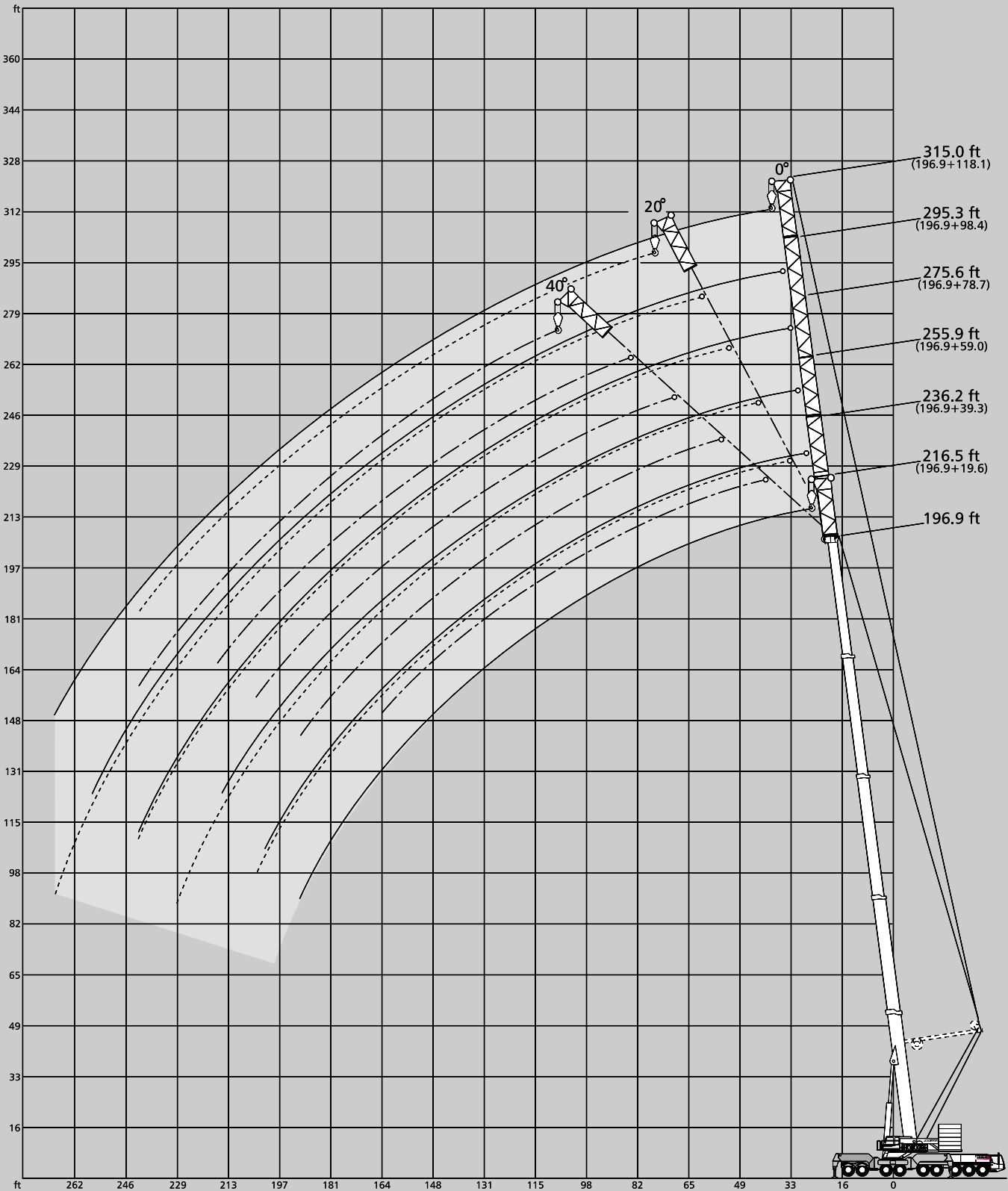
220,500 lb 

 360°

DIN/ISO

Radius ft	Main boom						Radius ft
	116.5	132.9	149.3	165.7	182.1	196.9	
	1,000 lb						
16	429.8	-	-	-	-	-	16
19	429.8	363.3	-	-	-	-	19
23	423.2	352.6	306.3	-	-	-	23
26	417.1	346.6	298.2	251.4	-	-	26
29	407.4	340.5	292.0	249.4	207.7	160.1	29
33	388.8	330.1	286.2	246.7	203.7	157.5	33
39	344.4	314.0	276.1	240.6	197.6	153.4	39
46	292.7	290.6	266.6	231.4	189.5	147.6	46
52	252.4	256.3	256.5	225.3	181.4	141.5	52
59	216.3	219.6	222.9	216.1	172.0	134.5	59
65	188.1	192.4	196.7	196.0	163.9	128.4	65
72	156.2	160.6	165.0	169.3	155.6	122.5	72
79	131.5	135.9	139.3	144.7	147.0	116.6	79
85	115.4	119.8	123.1	127.6	130.8	111.5	85
92	100.0	103.3	106.6	111.0	114.3	106.8	92
98	88.9	92.2	95.5	98.9	102.2	102.8	98
105	77.1	80.4	83.7	88.1	90.3	91.4	105
111	-	72.3	75.7	79.1	82.3	83.4	111
118	-	64.5	67.3	70.6	73.9	75.0	118
124	-	-	60.9	64.8	67.9	68.0	124
131	-	-	54.2	57.9	61.2	62.1	131
138	-	-	-	52.1	55.4	56.2	138
144	-	-	-	47.6	50.7	51.4	144
151	-	-	-	42.9	45.8	46.6	151
157	-	-	-	-	42.1	42.8	157
164	-	-	-	-	38.1	38.8	164
177	-	-	-	-	-	32.4	177

# Working ranges main boom extension



# Lifting capacities main boom extension

220,500 lb 

 360°

DIN/ISO

196.9 ft Main boom

Radius ft	19.6 ft		39.3 ft		59.0 ft		Extension 78.7 ft		98.4 ft		118.1 ft		Radius ft
	0°	0°	20°	0°	20°	0°	20°	0°	20°	0°	20°		
46	102.2	-	-	-	-	-	-	-	-	-	-	-	46
52	95.3	82.2	-	-	69.5	-	-	-	-	-	-	-	52
59	88.0	75.6	-	-	64.6	-	52.9	-	-	-	-	-	59
65	82.3	70.8	62.2	-	61.0	-	50.1	-	41.6	-	34.9	-	65
72	76.2	65.6	58.9	-	56.9	48.1	47.2	-	39.9	-	33.3	-	72
79	70.8	61.1	55.8	-	53.4	45.7	44.6	-	38.2	-	31.9	-	79
85	66.5	57.7	53.4	-	50.6	43.9	42.6	33.5	36.8	-	30.4	-	85
92	61.8	54.1	50.8	-	47.5	41.8	40.3	32.3	35.2	-	29.0	-	92
98	58.4	51.5	48.6	-	45.3	40.2	38.4	31.5	33.8	27.4	27.8	-	98
105	54.6	48.7	46.2	-	42.9	38.5	36.5	30.6	32.1	26.4	26.4	21.3	105
111	51.6	46.2	44.2	-	40.9	37.1	34.9	29.8	30.9	25.4	25.2	20.5	111
118	48.5	43.9	42.1	-	38.8	35.5	33.3	28.8	29.3	24.4	24.0	19.8	118
124	45.7	41.6	40.3	-	37.0	34.3	31.7	28.0	28.1	23.4	22.8	19.0	124
131	43.0	39.5	38.4	-	35.1	32.8	30.2	27.3	26.5	22.5	21.6	18.3	131
138	40.2	37.1	36.5	-	33.2	31.4	28.6	26.4	25.0	21.3	20.4	17.3	138
144	38.2	35.3	34.9	-	31.8	30.4	27.4	25.6	23.8	20.3	19.4	16.7	144
151	36.1	33.4	33.0	-	30.1	29.0	26.0	24.6	22.4	19.3	18.2	16.0	151
157	34.3	31.8	31.6	-	28.7	27.8	24.9	23.8	21.4	18.3	17.2	15.2	157
164	32.4	29.9	29.9	-	27.1	26.4	23.5	22.9	20.0	17.4	16.3	14.5	164
177	29.1	26.9	27.1	-	24.5	24.0	21.1	20.9	17.8	15.6	14.1	13.0	177
190	26.2	24.3	24.5	-	22.1	21.8	19.0	19.0	15.9	14.1	12.3	11.7	190
203	-	21.9	22.1	-	19.6	19.6	17.0	17.2	13.9	12.6	10.6	10.4	203
216	-	-	-	-	17.7	17.7	15.0	15.2	12.1	11.0	8.8	9.0	216
229	-	-	-	-	-	16.1	13.3	13.5	10.4	9.7	7.5	7.7	229
243	-	-	-	-	-	-	11.4	11.8	8.7	8.5	5.9	6.3	243
256	-	-	-	-	-	-	-	-	7.2	7.4	4.8	5.2	256
269	-	-	-	-	-	-	-	-	-	6.6	-	-	269

132,300 lb 

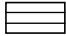

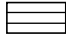

 360°

DIN/ISO

196.9 ft Main boom

Radius ft	19.6 ft		39.3 ft		59.0 ft		Extension 78.7 ft		98.4 ft		118.1 ft		Radius ft
	0°	0°	20°	40°	0°	20°	40°	0°	20°	40°	0°	20°	
46	102.2	-	-	-	-	-	-	-	-	-	-	-	46
52	95.3	82.2	-	-	69.5	-	-	-	-	-	-	-	52
59	88.0	75.6	-	-	64.6	-	-	52.9	-	-	-	-	59
65	82.3	70.8	62.2	-	61.0	-	-	50.1	-	-	41.6	-	65
72	76.2	65.6	58.9	53.8	56.9	48.1	-	47.2	-	-	39.9	-	72
79	70.8	61.1	55.8	51.7	53.4	45.7	-	44.6	-	-	38.2	-	79
85	66.5	57.7	53.4	50.1	50.6	43.9	39.0	42.6	33.5	-	36.8	-	85
92	61.8	54.1	50.8	48.0	47.5	41.8	37.6	40.3	32.3	-	35.2	-	92
98	58.4	51.5	48.6	46.4	45.3	40.2	36.4	38.4	31.5	-	33.8	27.4	98
105	53.1	48.7	46.2	44.5	42.9	38.5	35.2	36.5	30.6	25.7	32.1	26.4	105
111	47.6	46.2	44.2	43.1	40.9	37.1	34.2	34.9	29.8	25.5	30.9	25.4	111
118	41.9	41.9	42.1	41.2	38.8	35.5	33.0	33.3	28.8	25.3	29.3	24.4	118
124	37.7	37.7	40.3	39.8	37.0	34.3	32.0	31.7	28.0	24.9	28.1	23.4	124
131	33.2	33.2	36.0	37.9	34.4	32.8	30.9	30.2	27.3	24.6	26.5	22.5	131
138	29.0	29.2	31.8	33.6	30.5	31.4	29.7	28.6	26.4	24.2	25.0	21.3	138
144	25.9	26.1	28.6	30.1	27.5	30.4	28.9	27.4	25.6	23.8	23.8	20.3	144
151	22.6	22.8	25.0	26.4	24.2	27.7	27.7	25.5	24.6	23.3	22.4	19.3	151
157	20.0	20.2	22.2	23.3	21.8	25.1	26.9	23.1	23.8	22.9	21.4	18.3	157
164	17.2	17.4	19.2	20.3	18.9	22.0	24.0	20.3	22.9	22.4	20.0	17.4	164
177	12.6	12.8	14.3	-	14.3	17.0	18.5	15.9	19.4	21.1	16.7	15.6	177
190	8.6	9.1	10.0	-	10.6	12.6	13.7	11.9	15.0	17.2	13.0	14.1	190
203	-	5.6	6.2	-	7.1	8.9	-	8.7	11.3	12.9	9.8	12.6	203
216	-	-	-	-	-	5.4	-	5.6	7.8	-	6.7	9.8	216
229	-	-	-	-	-	-	-	-	4.7	-	-	6.9	229
243	-	-	-	-	-	-	-	-	-	-	-	-	243

# Lifting capacities main boom extension with SSL 0° + 30°

352,800 lb   DIN/ISO 220,500 lb   DIN/ISO

196.9 ft Main boom + SSL 0°					
Radius ft	Extension				
	19.6 ft	39.3 ft		59.0 ft	
	0°	0°	20°	0°	20°
	1,000 lb				
33	117.9	-	-	-	-
39	116.9	95.2	-	77.2	-
46	112.8	91.6	-	74.7	-
52	109.6	88.6	85.0	72.2	-
59	105.8	85.1	82.0	69.6	-
65	102.6	82.3	79.6	67.4	59.1
72	99.2	79.0	76.7	64.8	56.7
79	96.0	75.9	73.9	62.2	54.3
85	93.1	73.3	71.7	60.0	52.7
92	90.1	70.4	69.4	57.7	50.8
98	87.4	68.2	67.3	55.7	49.6
105	84.4	65.9	65.0	53.7	48.2
111	81.8	63.8	63.2	51.9	47.0
118	78.9	61.7	61.1	50.2	46.0
124	76.5	59.9	59.4	48.6	45.0
131	73.9	58.2	57.8	47.2	44.1
138	71.3	56.3	55.9	45.8	43.1
144	69.1	55.1	54.7	44.8	42.3
151	66.7	53.5	53.1	43.6	41.4
157	64.7	52.5	51.9	42.8	40.8
164	62.6	51.1	50.7	41.8	40.1
177	58.9	49.1	48.5	40.3	38.6
190	-	47.2	46.5	39.0	37.5
203	-	44.8	44.8	37.7	36.1
216	-	-	-	36.4	35.0

196.9 ft Main boom + SSL 0°						
Radius ft	Extension					
	19.6 ft	39.3 ft			59.0 ft	
	0°	0°	20°	40°	0°	20°
	1,000 lb					
33	117.9	-	-	-	-	-
39	116.9	95.2	-	-	77.2	-
46	112.8	91.6	-	-	74.7	-
52	109.6	88.6	85.0	-	72.2	-
59	105.8	85.1	82.0	-	69.6	-
65	102.6	82.3	79.6	67.9	67.4	59.1
72	99.2	79.0	76.7	67.0	64.8	56.7
79	96.0	75.9	73.9	66.0	62.2	54.3
85	93.1	73.3	71.7	65.0	60.0	52.7
92	90.1	70.4	69.4	63.9	57.7	50.8
98	87.4	68.2	67.3	62.9	55.7	49.6
105	84.4	65.9	65.0	61.5	53.7	48.2
111	81.8	63.8	63.2	60.4	51.9	47.0
118	77.0	61.7	61.1	59.1	50.2	46.0
124	70.6	59.9	59.4	57.8	48.6	45.0
131	63.9	58.2	57.8	56.4	47.2	44.1
138	58.0	56.3	55.9	55.0	45.8	43.1
144	53.4	53.9	54.7	53.8	44.8	42.3
151	48.2	48.8	51.3	52.4	43.6	41.4
157	44.4	45.0	47.0	48.3	42.8	40.8
164	40.1	40.8	42.7	43.6	41.8	40.1
177	33.5	34.0	35.5	-	35.7	38.3
190	-	28.3	29.4	-	30.1	32.3
203	-	23.5	24.4	-	25.0	26.8
216	-	-	-	-	20.8	22.2

352,800 lb   DIN/ISO 220,500 lb   DIN/ISO

196.9 ft Main boom + SSL 30°					
Radius ft	Extension				
	39.3 ft	59.0 ft	78.7 ft	98.4 ft	118.1 ft
	0°	0°	0°	0°	0°
	1,000 lb				
46	113.4	88.7	64.9	-	-
52	106.6	83.7	60.9	52.7	-
59	98.6	78.0	56.9	49.1	41.4
65	92.1	73.6	53.8	46.5	39.2
72	84.8	68.6	50.5	43.7	36.6
79	77.8	64.2	47.7	41.1	34.5
85	72.1	60.3	45.7	39.3	32.7
92	66.0	56.3	43.3	37.2	30.8
98	61.1	53.1	41.7	35.6	29.4
105	56.4	49.8	40.1	33.9	27.9
111	52.1	46.9	38.5	32.7	26.7
118	48.1	44.1	37.0	31.3	25.3
124	44.8	41.5	35.6	30.3	24.3
131	41.7	39.1	34.2	29.1	23.4
138	38.9	36.7	32.8	27.9	22.4
144	36.9	34.9	31.3	26.9	21.6
151	34.5	32.8	29.9	26.0	20.9
157	32.9	31.2	28.7	24.9	20.1
164	31.0	29.3	27.3	24.0	19.4
177	28.2	26.4	24.7	22.2	18.3
190	25.4	23.8	22.3	20.5	17.2
203	22.5	21.6	20.1	18.7	16.1
216	-	19.2	18.1	17.0	15.0
229	-	-	16.1	15.5	13.9
243	-	-	-	13.6	12.7
256	-	-	-	11.8	11.4
269	-	-	-	-	9.7

196.9 ft Main boom + SSL 30°					
Radius ft	Extension				
	39.3 ft	59.0 ft	78.7 ft	98.4 ft	118.1 ft
	0°	0°	0°	0°	0°
	1,000 lb				
46	113.4	88.7	64.9	-	-
52	106.6	83.7	60.9	52.7	-
59	98.6	78.0	56.9	49.1	41.4
65	92.1	73.6	53.8	46.5	39.2
72	84.8	68.6	50.5	43.7	36.6
79	77.8	64.2	47.7	41.1	34.5
85	72.1	60.3	45.7	39.3	32.7
92	66.0	56.3	43.3	37.2	30.8
98	61.1	53.1	41.7	35.6	29.4
105	56.4	49.8	40.1	33.9	27.9
111	52.1	46.9	38.5	32.7	26.7
118	48.1	44.1	37.0	31.3	25.3
124	44.8	41.5	35.6	30.3	24.3
131	41.7	39.1	34.2	29.1	23.4
138	38.9	36.7	32.8	27.9	22.4
144	36.9	34.9	31.3	26.9	21.6
151	34.5	32.8	29.9	26.0	20.9
157	32.9	31.2	28.7	24.9	20.1
164	31.0	29.3	27.3	24.0	19.4
177	28.2	26.4	24.7	22.2	18.3
190	25.4	23.8	22.3	20.5	17.2
203	22.5	21.6	20.1	18.7	16.1
216	-	19.2	18.1	17.0	15.0
229	-	-	16.1	15.5	13.9
243	-	-	-	13.6	12.7
256	-	-	-	11.8	11.4
269	-	-	-	-	9.7

# Notes to lifting capacity

Ratings are in compliance with ISO 4305 and DIN 15019.2 (test load = 1.25 x suspended load + 0.1 x dead weight of boom, reduced to boom point).

Weight of hook blocks and slings is part of the load, and is to be deducted from the capacity ratings.

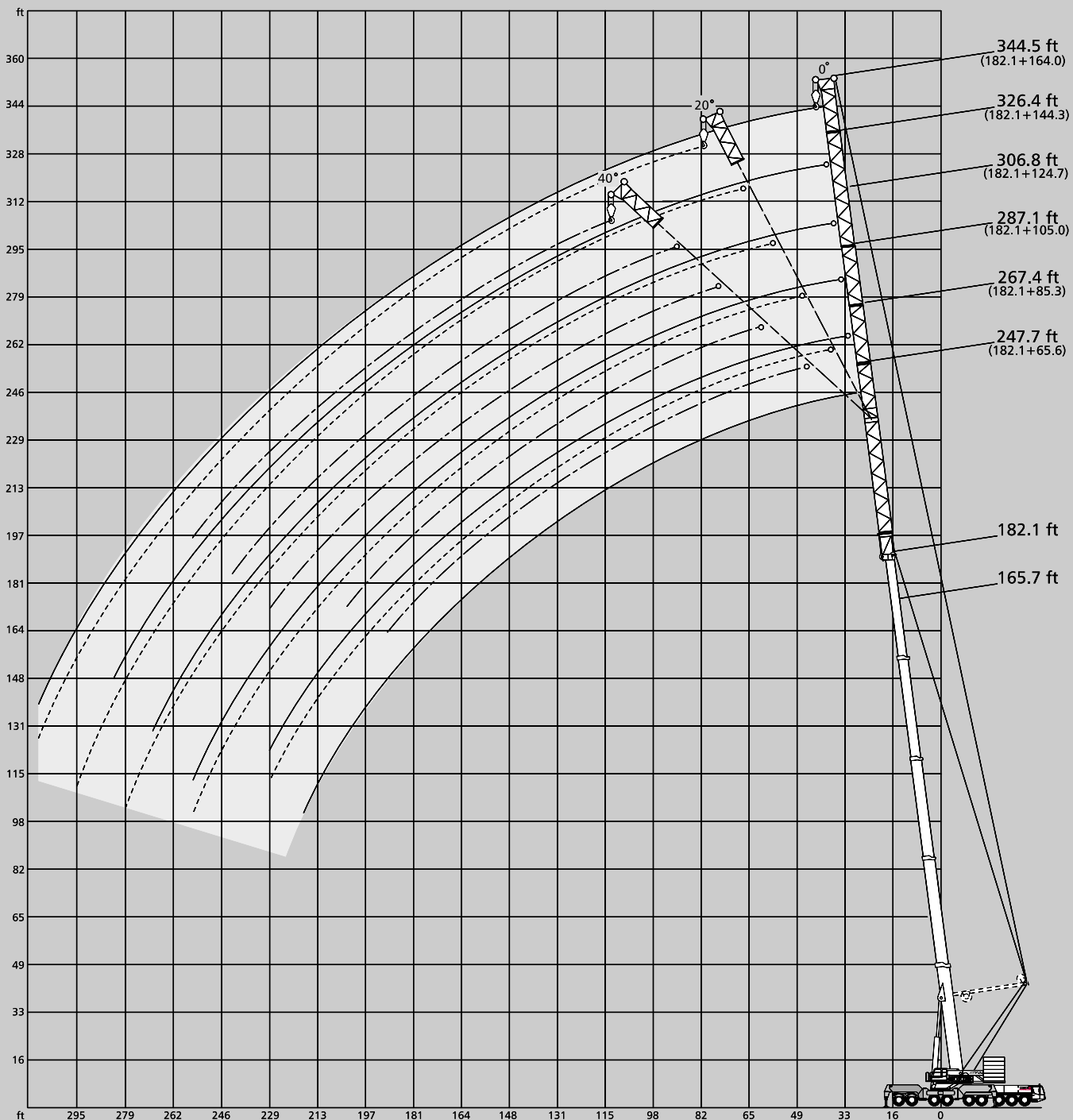
Crane operation is permissible up to a  
wind pressure of ..... 1.25 lb/sq ft  
wind speed of ..... 32 ft/s

Consult operation manual for further details.

Note: Data published herein is intended as a guide only and shall not be construed to warrant applicability for lifting purposes. Crane operation is subject to the computer charts and operation manual both supplied with the crane.



# Working ranges fixed fly jib



# Lifting capacities fixed fly jib



360°

DIN/ISO

165.7 ft Main boom		Fly jib												Radius			
Radius ft	65.6 ft	85.3 ft			105.0 ft			124.7 ft			144.4 ft			164.0 ft			Radius ft
	0°	0°	20°	40°	0°	20°	40°	0°	20°	40°	0°	20°	40°	0°	20°	40°	
	1,000 lb																
46	104.1	-	-	-	-	-	-	-	-	-	-	-	-	-	-	-	46
52	96.7	83.9	-	-	-	-	-	-	-	-	-	-	-	-	-	-	52
59	89.1	77.8	-	-	69.4	-	-	-	-	-	-	-	-	-	-	-	59
65	83.2	73.0	66.6	-	65.0	-	-	53.3	-	-	43.3	-	-	-	-	-	65
72	76.8	68.0	62.9	58.7	60.5	-	-	50.9	-	-	41.2	-	-	36.2	-	-	72
79	71.4	63.3	59.3	56.1	56.3	50.8	-	48.6	-	-	39.1	-	-	34.3	-	-	79
85	67.4	59.7	56.3	53.9	53.0	49.0	-	46.6	35.0	-	37.5	-	-	32.7	-	-	85
92	62.9	55.7	53.2	51.3	49.5	46.6	42.0	44.2	34.3	-	35.6	-	-	31.0	-	-	92
98	59.7	52.8	50.8	49.3	46.9	44.6	40.8	42.2	33.5	-	34.2	25.6	-	29.4	-	-	98
105	56.2	49.6	48.0	46.9	44.0	42.5	39.6	39.9	32.8	27.1	32.4	24.6	-	27.7	-	-	105
111	53.5	47.1	45.8	44.9	41.8	40.7	38.4	38.0	32.0	26.7	30.9	23.8	-	26.5	21.2	-	111
118	50.5	44.5	43.4	43.0	39.7	38.6	37.0	35.9	31.3	26.2	29.5	22.9	19.6	24.9	20.5	-	118
124	48.3	42.5	41.6	41.2	37.9	36.9	35.6	34.1	30.5	26.0	28.1	22.3	19.2	23.7	19.9	-	124
131	45.9	40.4	39.7	39.3	35.7	35.1	34.2	32.0	29.5	25.5	26.7	21.4	18.7	22.3	19.2	-	131
138	43.5	38.5	37.8	37.6	34.1	33.2	32.5	30.1	28.4	25.1	25.3	20.7	18.5	21.1	18.4	15.4	138
144	41.7	37.1	36.4	36.2	32.5	31.8	31.3	28.7	27.6	24.7	24.3	20.3	18.1	19.9	17.6	15.2	144
151	39.6	35.4	35.0	34.5	30.8	30.1	29.7	26.8	26.4	24.2	22.9	19.6	17.6	18.7	16.9	14.7	151
157	38.0	34.2	33.8	33.3	29.6	28.9	28.5	25.6	25.6	23.6	21.9	19.0	17.2	17.7	16.1	14.3	157
164	36.3	32.8	32.4	31.9	28.0	27.5	27.1	24.0	24.4	23.1	20.5	18.3	16.9	16.5	15.4	14.1	164
177	33.1	30.4	30.0	29.7	25.6	24.9	24.7	21.4	22.0	21.8	18.3	17.2	16.3	14.5	13.6	13.0	177
190	30.2	28.2	27.8	-	23.2	22.9	22.5	19.2	19.8	20.3	16.3	15.9	15.4	12.8	12.1	11.9	190
203	27.2	25.8	25.6	-	21.2	21.0	-	17.2	17.4	18.3	14.3	14.5	14.5	11.0	10.6	10.6	203
216	-	23.2	23.2	-	19.2	19.0	-	15.2	15.5	15.7	12.6	13.0	13.2	9.5	9.3	9.3	216
229	-	-	-	-	17.2	17.4	-	13.7	13.5	-	11.1	11.7	11.9	8.2	8.0	8.2	229
243	-	-	-	-	-	15.6	-	12.1	11.8	-	9.6	10.3	-	7.0	6.8	7.0	243
256	-	-	-	-	-	-	-	10.7	10.7	-	8.5	9.0	-	5.9	5.9	6.1	256
269	-	-	-	-	-	-	-	-	-	-	7.7	8.1	-	5.0	5.0	-	269
282	-	-	-	-	-	-	-	-	-	-	-	7.2	-	4.4	4.6	-	282
295	-	-	-	-	-	-	-	-	-	-	-	-	-	-	-	-	295

182.1 ft Main boom		Fly jib												Radius			
Radius ft	1,000 lb																Radius ft
	52	81.7	-	-	-	-	-	-	-	-	-	-	-	-	-	-	
59	76.1	63.5	-	-	-	-	-	-	-	-	-	-	-	-	-	-	59
65	71.8	59.8	-	-	52.3	-	-	-	-	-	-	-	-	-	-	-	65
72	67.1	55.8	50.9	-	49.2	-	-	44.1	-	-	38.8	-	-	-	-	-	72
79	62.9	52.3	48.6	46.2	46.1	-	-	41.7	-	-	36.2	-	-	30.7	-	-	79
85	59.4	49.5	46.6	44.1	43.7	39.1	-	39.5	-	-	34.2	-	-	29.1	-	-	85
92	55.9	46.4	44.2	42.0	41.4	37.0	-	37.2	-	-	31.9	-	-	27.0	-	-	92
98	53.3	44.0	42.2	40.2	39.3	35.1	32.3	35.4	32.0	-	30.1	-	-	25.4	-	-	98
105	50.4	41.4	39.9	38.1	37.2	33.2	30.6	33.2	30.6	-	28.2	24.2	-	23.8	-	-	105
111	48.2	39.4	38.0	36.3	35.4	31.6	29.2	31.4	29.4	26.9	26.6	23.2	-	22.1	-	-	111
118	45.6	37.2	35.9	34.4	33.5	30.0	27.5	29.3	28.0	25.8	24.7	21.8	-	20.7	18.9	-	118
124	43.8	35.4	34.1	32.8	31.9	28.5	26.3	27.7	26.8	24.8	23.3	20.8	18.5	19.3	17.9	-	124
131	41.7	33.5	32.2	30.9	30.2	26.9	24.9	25.8	25.1	23.6	21.6	19.6	17.8	17.9	17.0	-	131
138	39.6	31.9	30.3	29.2	28.6	25.5	23.7	24.2	23.7	22.2	20.2	18.4	16.9	16.7	16.0	-	138
144	38.2	30.5	28.9	27.8	27.4	24.3	22.5	22.7	22.5	21.2	19.0	17.6	16.3	15.5	15.2	14.3	144
151	36.3	28.8	27.5	26.2	25.7	23.1	21.3	21.1	21.1	20.0	17.6	16.5	15.4	14.3	14.3	13.4	151
157	34.9	27.6	26.3	25.0	24.5	22.1	20.5	19.9	19.9	19.0	16.6	15.7	14.6	13.5	13.3	12.6	157
164	33.3	26.2	24.9	23.5	23.1	20.9	19.4	18.5	18.5	17.8	15.4	14.7	13.8	12.3	12.3	11.6	164
177	30.6	23.8	22.5	21.4	20.5	18.7	17.6	16.1	16.3	15.6	13.2	13.0	12.3	10.6	10.6	10.1	177
190	28.0	21.6	20.5	19.4	18.1	17.0	15.9	14.1	14.1	13.7	11.5	11.2	10.8	9.0	9.0	8.8	190
203	25.4	19.4	18.7	-	15.9	15.2	14.1	12.6	12.4	11.9	9.9	9.7	9.3	7.5	7.5	7.5	203
216	23.0	17.7	17.2	-	14.1	13.7	-	11.0	11.0	10.4	8.4	8.2	8.0	6.2	6.2	6.4	216
229	-	15.7	15.7	-	12.4	12.4	-	9.7	9.7	9.3	7.1	6.9	6.8	4.9	5.1	5.3	229
243	-	-	-	-	11.0	11.2	-	8.3	8.3	-	5.9	5.7	5.7	-	-	4.3	243
256	-	-	-	-	9.9	10.1	-	7.4	7.4	-	4.8	4.8	-	-	-	-	256
269	-	-	-	-	-	-	-	6.3	6.6	-	-	-	-	-	-	-	269
282	-	-	-	-	-	-	-	-	-	-	-	-	-	-	-	-	282

**Remarks**

Counterweight    132,300 lb    176,400 lb    220,500 lb    264,600 lb    308,700 lb    352,800 lb

Max. capacities with minimum counterweight · Further counterweight configurations on request



# Lifting capacities fixed fly jib with SSL 0° + 30°



360°

DIN/ISO

## 182.1 ft Main boom

Radius ft	Fly jib												Radius ft							
	65.6 ft			85.3 ft			105.0 ft			124.7 ft				144.4 ft			164.0 ft			
	0°	0°	20°	40°	0°	20°	40°	0°	20°	40°	0°	20°		40°	0°	20°	40°	0°	20°	40°
	1,000 lb																			
39	93.1	-	-	-	-	-	-	-	-	-	-	-	-	-	-	-	-	-	-	39
46	90.3	69.4	-	-	57.9	-	-	-	-	-	-	-	-	-	-	-	-	-	-	46
52	88.1	68.2	-	-	57.5	-	-	48.9	-	-	-	-	-	-	-	-	-	-	-	52
59	85.3	67.0	62.4	-	56.8	-	-	48.5	-	-	40.7	-	-	31.7	-	-	-	-	-	59
65	82.9	65.6	60.9	-	56.0	-	-	47.9	-	-	39.9	-	-	31.1	-	-	-	-	-	65
72	80.3	64.1	59.3	57.7	54.9	49.1	-	46.9	-	-	39.0	-	-	30.2	-	-	-	-	-	72
79	77.5	62.5	57.7	56.1	53.7	48.2	-	46.0	37.2	-	38.1	-	-	29.5	-	-	-	-	-	79
85	75.2	60.9	56.2	54.7	52.7	47.4	43.9	45.0	36.2	-	37.2	-	-	28.7	-	-	-	-	-	85
92	72.7	59.2	54.4	53.0	51.3	46.2	42.9	43.8	35.0	-	36.1	28.6	-	27.9	-	-	-	-	-	92
98	70.4	57.6	53.0	51.6	50.1	45.2	41.9	42.8	34.2	28.2	35.3	27.8	-	27.1	-	-	-	-	-	98
105	67.8	55.9	51.3	50.0	48.4	43.8	40.5	41.4	33.0	27.7	34.1	26.8	-	26.2	21.6	-	-	-	-	105
111	65.6	54.3	49.7	48.4	47.2	42.8	39.5	40.4	32.2	27.3	33.1	26.2	-	25.6	20.9	-	-	-	-	111
118	63.3	52.5	48.0	46.7	45.6	41.4	38.3	39.0	31.3	26.6	31.9	25.5	21.8	24.7	20.5	-	-	-	-	118
124	61.0	50.8	46.6	45.3	44.2	40.2	37.1	37.8	30.7	26.2	31.1	24.9	21.4	24.0	19.9	-	-	-	-	124
131	58.7	49.0	45.0	43.7	42.6	38.8	35.9	36.4	29.7	25.5	30.0	24.2	21.1	23.1	19.4	15.4	-	-	-	131
138	56.3	47.3	43.3	42.0	40.9	37.4	34.5	35.2	29.0	25.1	29.0	23.7	20.7	22.4	18.9	14.9	-	-	-	138
144	54.5	45.7	42.1	40.8	39.7	36.2	33.5	34.0	28.4	24.7	28.2	23.1	20.3	21.8	18.3	14.7	-	-	-	144
151	52.2	44.0	40.7	39.4	38.1	35.0	32.1	32.8	27.7	24.0	27.3	22.7	19.8	20.9	17.8	14.5	-	-	-	151
157	50.4	42.4	39.7	38.2	36.9	33.8	31.1	31.8	27.1	23.6	26.5	22.2	19.4	20.3	17.4	14.1	-	-	-	157
164	48.5	40.7	38.3	37.0	35.5	32.6	29.9	30.6	26.4	23.1	25.5	21.8	18.9	19.6	16.9	13.8	-	-	-	164
177	45.0	37.9	36.1	34.2	33.1	30.6	28.0	28.6	25.1	22.0	24.2	20.9	18.0	18.5	16.1	13.2	-	-	-	177
190	41.9	35.3	34.2	-	30.6	28.7	26.2	26.9	23.8	20.9	22.9	19.8	17.4	17.6	15.4	12.7	-	-	-	190
203	39.3	32.9	32.2	-	28.7	26.9	24.7	25.4	22.7	19.8	21.8	18.9	16.5	16.7	14.5	12.1	-	-	-	203
216	34.5	30.7	30.7	-	26.7	25.4	-	24.0	21.6	18.7	20.9	18.1	15.6	15.9	13.9	11.6	-	-	-	216
229	-	29.1	29.1	-	25.0	23.8	-	22.7	20.3	-	19.8	17.2	14.8	15.2	13.2	11.0	-	-	-	229
243	-	-	-	-	23.5	22.4	-	21.3	19.1	-	18.9	16.2	14.0	14.5	12.5	10.5	-	-	-	243
256	-	-	-	-	21.1	-	-	20.4	17.8	-	18.0	15.2	-	14.1	12.1	9.9	-	-	-	256
269	-	-	-	-	-	-	-	19.6	16.5	-	17.1	14.3	-	13.4	11.4	-	-	-	-	269
282	-	-	-	-	-	-	-	-	-	-	16.3	13.4	-	13.0	11.0	-	-	-	-	282
295	-	-	-	-	-	-	-	-	-	-	-	12.8	-	12.5	10.3	-	-	-	-	295
308	-	-	-	-	-	-	-	-	-	-	-	-	-	10.4	9.7	-	-	-	-	308

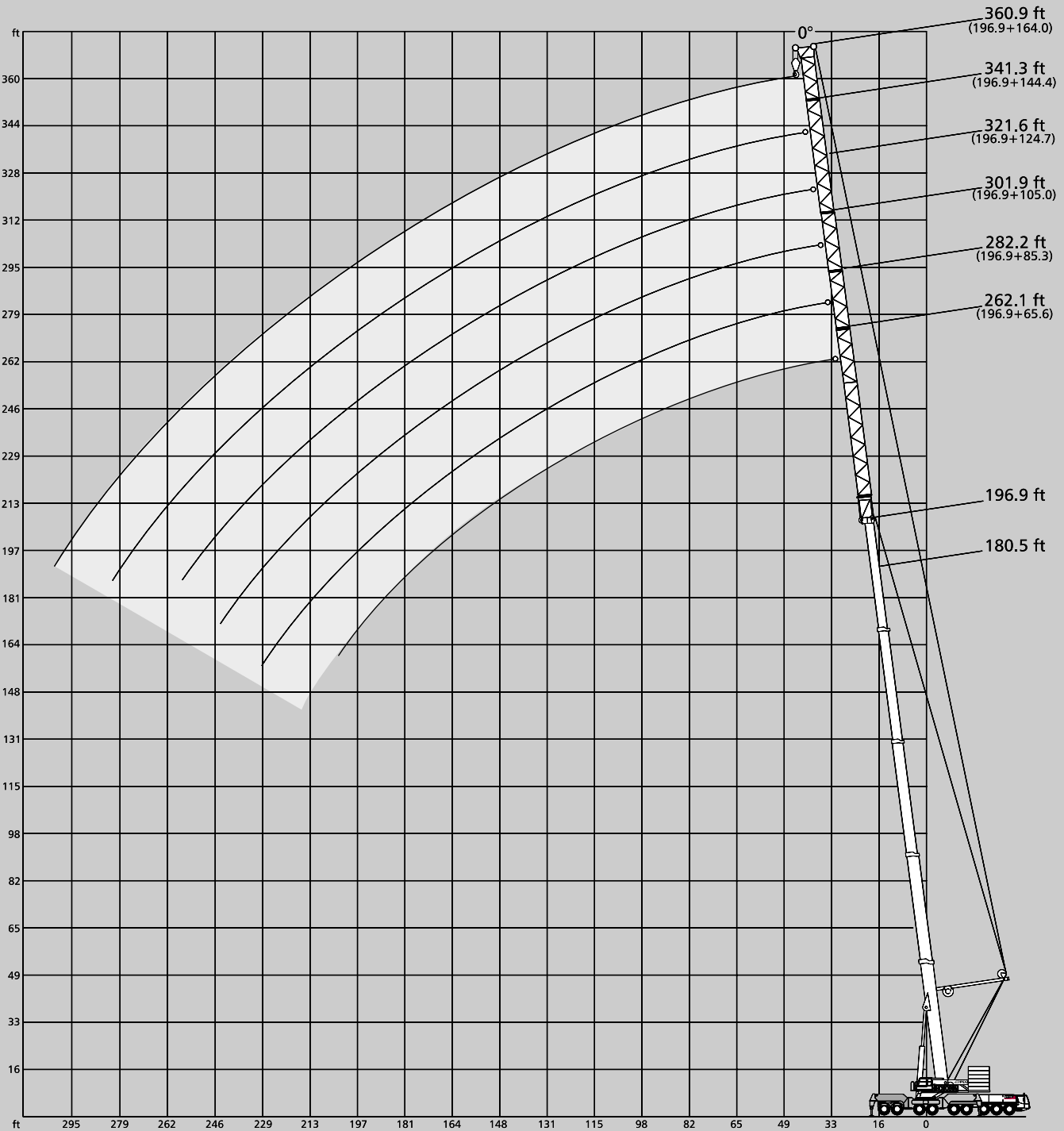
## 182.1 ft Main boom + SSL 30°

Radius ft	Fly jib					
	65.6 ft	85.3 ft	105.0 ft	124.7 ft	144.4 ft	164.0 ft
	0°	0°	0°	0°	0°	0°
	1,000 lb					
46	106.8	-	-	-	-	-
52	99.5	88.9	75.9	-	-	-
59	91.5	82.2	71.0	57.3	48.0	-
65	85.3	76.6	66.9	54.9	45.8	37.2
72	78.4	70.7	62.2	52.1	43.4	35.1
79	71.8	65.2	58.0	49.2	41.1	33.2
85	66.8	60.8	54.8	47.0	39.3	31.8
92	61.4	56.1	51.0	44.4	37.4	30.1
98	57.1	52.3	48.0	42.4	35.8	28.7
105	52.6	48.4	44.9	40.1	33.9	27.3
111	48.8	45.2	42.1	38.1	32.5	26.1
118	45.2	41.9	39.5	35.9	30.8	24.9
124	42.0	39.1	37.0	34.3	29.6	23.7
131	38.9	36.4	34.6	32.2	28.2	22.5
138	36.0	33.8	32.3	30.3	26.8	21.5
144	34.0	32.0	30.5	28.9	25.6	20.5
151	31.5	29.9	28.6	27.0	24.2	19.6
157	29.8	28.3	27.0	25.6	23.2	18.6
164	28.0	26.6	25.3	24.0	21.8	17.6
177	25.1	24.0	22.5	21.4	19.4	15.8
190	22.7	21.6	20.3	18.7	17.2	14.3
203	20.5	19.6	18.1	16.6	15.2	12.6
216	-	17.7	16.1	14.6	13.3	11.2
229	-	15.7	14.4	12.8	11.5	9.7
243	-	-	12.5	11.4	9.8	8.5
256	-	-	-	10.1	8.5	7.4
269	-	-	-	-	7.4	6.3
282	-	-	-	-	6.8	5.5
295	-	-	-	-	-	4.8

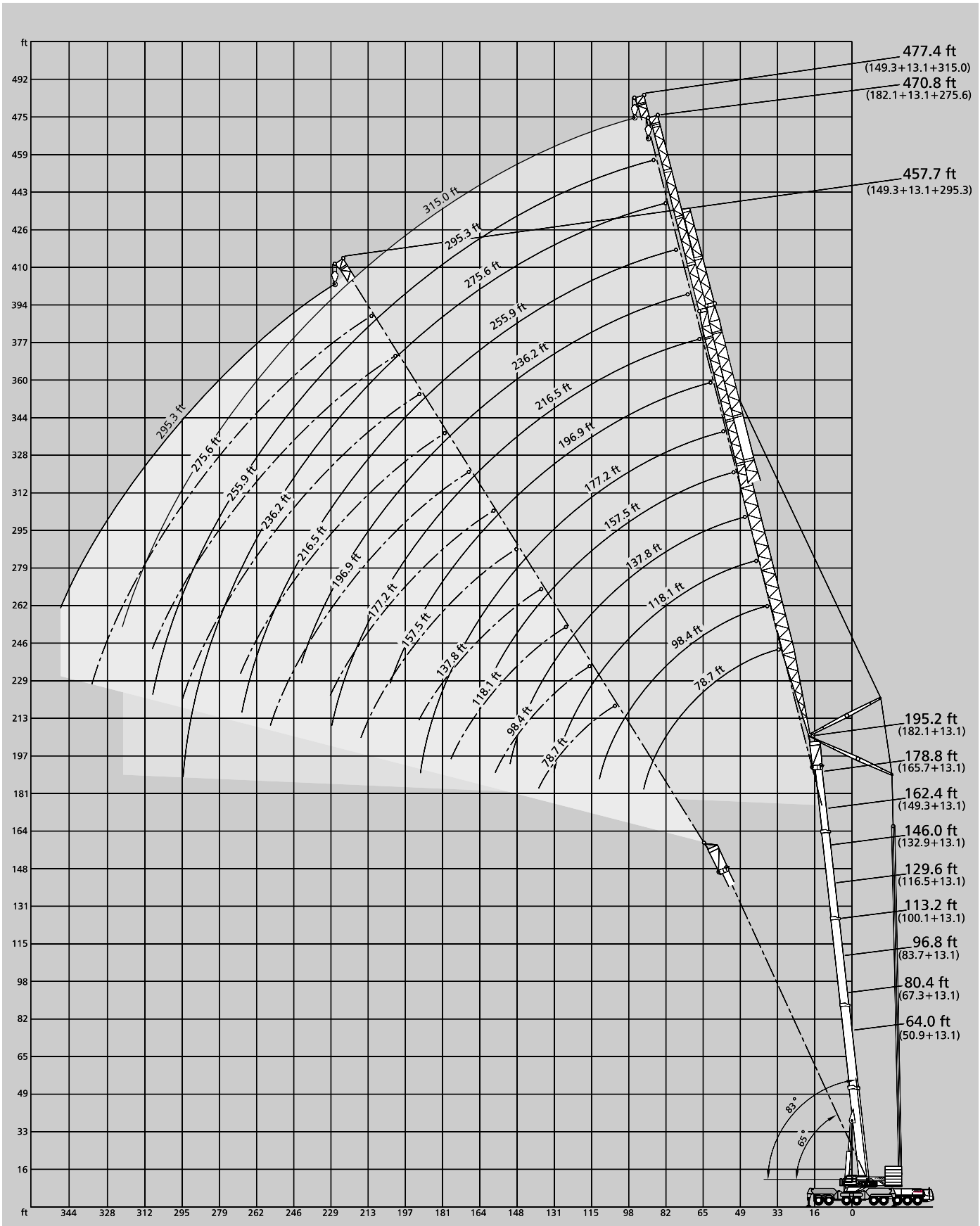
## 196.9 ft Main boom + SSL 30°

Radius ft	Fly jib					
	65.6 ft	85.3 ft	105.0 ft	124.7 ft	144.4 ft	164.0 ft
	0°	0°	0°	0°	0°	0°
	1,000 lb					
46	97.3	-	-	-	-	-
52	90.7	81.5	-	-	-	-
59	83.8	76.1	59.5	54.4	-	-
65	78.1	71.4	59.5	51.8	43.9	34.0
72	72.0	66.4	57.8	49.0	41.5	32.4
79	66.6	61.7	54.3	46.4	39.1	31.0
85	62.1	57.9	51.3	44.2	37.3	29.6
92	57.6	53.7	48.0	41.8	35.4	28.1
98	53.8	50.2	45.3	39.8	33.8	27.1
105	50.0	46.7	42.3	37.4	31.9	25.7
111	46.8	43.7	39.7	35.6	30.5	24.7
118	43.4	40.3	37.0	33.7	28.9	23.6
124	40.6	37.7	34.8	31.9	27.4	22.4
131	37.7	35.1	32.4	30.0	26.0	21.4
138	34.9	32.5	30.1	28.3	24.6	20.2
144	32.9	30.5	28.3	26.7	23.6	19.2
151	30.6	28.4	26.4	25.1	22.2	18.2
157	28.8	27.0	25.0	23.9	21.2	17.2
164	26.6	25.1	23.1	22.2	19.8	16.3
177	23.4	22.3	20.5	19.6	17.6	14.5
190	20.7	19.8	18.3	17.0	15.4	12.8
203	18.5	17.9	16.3	14.8	13.5	11.0
216	16.6	16.1	14.6	12.8	11.5	9.5
229	-	14.1	13.0	11.1	9.9	8.2
243	-	12.0	11.4	9.4	8.3	6.8
256	-	-	9.9	8.1	7.0	5.5
269	-	-	-	7.0	6.1	4.4
282	-	-	-	-	5.3	-
295	-	-	-	-	4.8	-

# Working ranges fixed fly jib with SSL 30°



# Working ranges luffing fly jib, main boom 83° to 65°



# Lifting capacities luffing fly jib, main boom 83° to 65°



360°

DIN/ISO

50.9 ft + 13.1 ft Main boom + adapter

Radius ft	Fly jib																		Radius ft	
	78.7 ft			98.4 ft			118.1 ft			137.8 ft			157.5 ft			177.2 ft				
	83°	73°	65°	83°	73°	65°	83°	73°	65°	83°	73°	65°	83°	73°	65°	83°	73°	65°		
	1,000 lb																			
39	271.7	-	-	-	-	-	-	-	-	-	-	-	-	-	-	-	-	-	39	
46	260.0	-	-	227.0	-	-	196.1	-	-	-	-	-	-	-	-	-	-	-	46	
52	249.9	-	-	222.9	-	-	194.1	-	-	160.9	-	-	-	-	-	-	-	-	52	
59	240.3	-	-	222.6	-	-	191.8	-	-	160.9	-	-	133.3	-	-	114.6	-	-	59	
65	226.1	223.4	-	220.6	203.4	-	189.8	-	-	159.9	-	-	133.3	-	-	114.6	-	-	65	
72	198.0	206.5	-	210.8	196.3	-	188.5	-	-	158.7	-	-	133.3	-	-	114.6	-	-	72	
79	-	191.2	186.8	194.5	189.0	-	187.1	169.6	-	157.5	-	-	133.2	-	-	114.6	-	-	79	
85	-	179.1	174.7	182.4	176.9	172.5	181.0	167.6	-	156.5	147.7	-	131.2	-	-	114.6	-	-	85	
92	-	-	160.7	155.9	163.9	159.5	167.1	162.8	-	154.2	147.6	-	128.9	124.5	-	113.4	-	-	92	
98	-	-	150.6	130.7	152.9	148.5	147.9	151.7	147.3	146.6	-	-	126.9	124.5	-	111.4	-	-	98	
105	-	-	-	-	142.1	137.7	127.8	141.0	136.6	142.1	138.8	-	125.6	123.4	-	108.0	108.0	-	105	
111	-	-	-	-	-	129.7	110.7	132.0	128.6	128.0	130.8	127.5	123.6	122.4	-	106.0	107.0	-	111	
118	-	-	-	-	-	121.3	90.7	123.5	120.2	112.6	122.4	119.1	115.8	121.2	111.3	102.5	104.7	-	118	
124	-	-	-	-	-	-	-	116.5	114.2	100.5	116.4	112.1	109.8	115.3	110.3	99.5	102.7	-	124	
131	-	-	-	-	-	-	-	-	107.1	86.4	109.3	106.0	98.5	108.2	104.9	94.9	100.3	100.4	131	
138	-	-	-	-	-	-	-	-	101.2	71.2	102.2	100.1	87.8	101.2	99.0	90.2	98.0	96.8	138	
144	-	-	-	-	-	-	-	-	-	-	94.1	95.1	78.8	97.2	94.0	86.2	94.9	92.8	144	
151	-	-	-	-	-	-	-	-	-	-	-	90.3	68.2	91.4	88.1	77.0	90.3	87.0	151	
157	-	-	-	-	-	-	-	-	-	-	-	-	85.2	-	86.3	84.1	70.0	85.2	83.0	157
164	-	-	-	-	-	-	-	-	-	-	-	-	-	-	75.0	79.3	62.4	80.5	78.2	164
177	-	-	-	-	-	-	-	-	-	-	-	-	-	-	-	-	69.5	70.6	-	177
190	-	-	-	-	-	-	-	-	-	-	-	-	-	-	-	-	-	64.7	-	190
203	-	-	-	-	-	-	-	-	-	-	-	-	-	-	-	-	-	-	-	203

ft	196.9 ft		216.5 ft		236.2 ft		255.9 ft		275.6 ft		295.3 ft		315.0 ft		ft
	1,000 lb														
65	92.5	-	-	-	-	-	-	-	-	-	-	-	-	-	65
72	92.5	-	-	78.2	-	-	-	-	-	-	-	-	-	-	72
79	92.5	-	-	77.1	-	-	66.1	-	-	-	-	-	-	-	79
85	92.5	-	-	76.1	-	-	66.1	-	53.6	-	-	-	-	-	85
92	92.5	-	-	74.9	-	-	66.1	-	52.6	-	-	43.4	-	-	92
98	92.5	-	-	73.9	-	-	66.1	-	51.8	-	-	42.6	-	-	98
105	92.5	-	-	72.7	-	-	66.1	-	50.9	-	-	41.8	-	-	105
111	92.5	88.1	-	71.7	-	-	65.9	-	50.3	-	-	41.0	-	-	111
118	92.5	88.1	-	71.6	71.6	-	65.4	-	49.3	-	-	40.3	-	-	118
124	92.5	87.1	-	70.6	71.6	-	64.8	65.0	48.7	-	-	39.5	-	-	124
131	92.5	87.0	-	69.4	70.5	-	64.1	65.0	48.0	-	-	38.6	-	-	131
138	92.4	85.9	-	68.3	69.4	-	63.4	65.0	47.3	48.4	-	37.8	-	-	138
144	89.4	84.8	82.6	67.3	69.4	-	62.8	65.0	46.7	47.8	-	37.0	38.4	-	144
151	83.6	83.7	81.5	66.1	68.3	68.3	62.1	65.0	46.0	47.1	-	36.1	37.4	-	151
157	76.6	81.7	80.5	64.7	67.3	67.3	61.5	65.0	45.2	46.5	-	35.5	36.6	-	157
164	69.4	79.3	78.2	63.0	66.1	66.1	60.8	65.0	44.5	45.8	-	34.6	35.7	-	164
177	57.4	72.8	70.6	59.3	63.5	63.9	56.7	65.0	43.2	44.5	44.9	33.0	34.1	-	177
190	45.2	64.1	64.5	50.6	60.6	61.9	52.1	61.1	41.7	43.2	43.4	31.5	32.6	33.9	190
203	-	51.7	59.0	40.8	56.7	57.2	44.7	57.2	40.1	41.9	41.9	30.2	31.3	32.4	203
216	-	-	-	-	47.1	52.6	36.5	50.5	38.4	40.6	40.6	28.9	30.0	31.1	216
229	-	-	-	-	-	48.7	28.4	42.5	32.9	39.1	39.3	27.8	28.9	29.8	229
243	-	-	-	-	-	-	-	33.3	25.8	37.6	37.9	26.6	27.7	28.4	243
256	-	-	-	-	-	-	-	-	-	31.2	36.7	23.7	26.8	27.5	256
269	-	-	-	-	-	-	-	-	-	-	33.7	18.0	26.0	26.4	269
282	-	-	-	-	-	-	-	-	-	-	-	16.3	20.5	20.9	282
295	-	-	-	-	-	-	-	-	-	-	-	-	20.0	20.3	295
308	-	-	-	-	-	-	-	-	-	-	-	-	-	14.1	308
321	-	-	-	-	-	-	-	-	-	-	-	-	-	-	321
335	-	-	-	-	-	-	-	-	-	-	-	-	-	-	335

Remarks

Counterweight 132,300 lb 176,400 lb 220,500 lb 264,600 lb 308,700 lb 352,800 lb

Max. capacities with minimum counterweight

Further counterweight configurations on request

67.3 ft + 13.1 ft Main boom + adapter

Radius ft	Fly jib																		Radius ft
	78.7 ft			98.4 ft			118.1 ft			137.8 ft			157.5 ft			177.2 ft			
	83°	73°	65°	83°	73°	65°	83°	73°	65°	83°	73°	65°	83°	73°	65°	83°	73°	65°	
	1,000 lb																		
46	251.2	-	-	217.0	-	-	173.0	-	-	-	-	-	-	-	-	-	-	-	46
52	243.1	-	-	212.0	-	-	171.0	-	-	139.9	-	-	-	-	-	-	-	-	52
59	229.3	-	-	207.2	-	-	169.7	-	-	139.9	-	-	114.6	-	-	-	-	-	59
65	218.2	205.0	-	203.2	-	-	169.7	-	-	138.9	-	-	114.6	-	-	97.0	-	-	65
72	204.2	192.1	-	197.4	176.5	-	168.6	-	-	138.8	-	-	114.6	-	-	97.0	-	-	72
79	191.3	180.3	-	190.2	168.3	-	167.4	146.4	-	137.7	-	-	114.5	-	-	97.0	-	-	79
85	-	171.3	160.1	180.1	161.2	-	164.3	143.4	-	136.7	-	-	113.5	-	-	97.0	-	-	85
92	-	161.8	151.9	165.9	154.1	145.3	158.5	139.9	-	135.5	125.6	-	112.4	-	-	97.0	-	-	92
98	-	-	144.9	142.7	147.1	138.2	151.5	135.8	-	134.5	123.6	-	112.4	110.3	-	97.0	-	-	98
105	-	-	134.4	-	138.8	132.2	136.6	131.1	123.4	127.8	120.1	-	111.3	108.0	-	95.8	94.7	-	105
111	-	-	-	-	130.8	125.2	119.5	127.1	119.4	122.8	118.1	-	110.3	106.0	-	94.8	93.7	-	111
118	-	-	-	-	116.9	110.9	99.5	120.2	115.7	112.5	113.6	105.8	105.8	103.6	-	93.7	91.5	-	118
124	-	-	-	-	-	-	-	114.2	109.8	103.5	110.5	102.8	101.8	101.6	-	91.7	90.5	-	124
131	-	-	-	-	-	-	-	107.1	102.7	91.8	105.9	99.3	95.0	99.2	90.4	88.3	88.2	-	131
138	-	-	-	-	-	-	-	-	96.8	77.8	100.1	95.7	87.9	95.8	89.2	85.8	85.9	83.7	138
144	-	-	-	-	-	-	-	-	92.8	-	95.1	91.7	81.9	92.7	87.2	81.8	83.8	81.6	144
151	-	-	-	-	-	-	-	-	-	-	90.3	85.9	72.6	88.1	84.8	77.1	81.5	79.3	151
157	-	-	-	-	-	-	-	-	-	-	-	81.8	63.5	84.1	80.7	73.0	79.5	78.3	157
164	-	-	-	-	-	-	-	-	-	-	-	77.1	77.1	79.3	76.0	66.1	77.1	74.9	164
177	-	-	-	-	-	-	-	-	-	-	-	-	-	-	68.4	50.4	70.6	67.3	177
190	-	-	-	-	-	-	-	-	-	-	-	-	-	-	-	60.6	61.6	-	190

ft	196.9 ft	216.5 ft	236.2 ft	255.9 ft	275.6 ft	295.3 ft	315.0 ft	ft
	1,000 lb							
65	81.5	-	-	-	-	-	-	65
72	81.5	-	66.1	-	-	-	-	72
79	81.5	-	66.1	-	-	-	-	79
85	81.5	-	65.9	-	56.8	-	-	85
92	81.5	-	65.4	-	56.6	-	47.3	92
98	81.5	-	65.0	-	56.6	-	46.9	98
105	81.5	-	64.3	-	56.4	-	46.7	105
111	81.5	-	63.9	-	56.4	-	46.3	111
118	81.5	77.1	63.2	-	56.4	-	45.8	118
124	81.5	77.1	62.8	65.3	56.4	-	45.4	124
131	81.5	77.1	62.1	64.6	56.2	55.5	44.7	131
138	81.5	76.0	61.7	63.9	55.9	55.5	44.2	138
144	79.4	76.0	61.1	63.3	55.7	55.5	43.8	144
151	77.1	74.9	60.3	62.6	55.5	55.5	43.2	151
157	73.0	72.9	59.1	61.9	54.9	55.5	42.5	157
164	69.4	71.6	57.7	61.2	54.4	55.5	42.1	164
177	60.7	68.3	53.8	59.5	52.9	55.5	40.8	177
190	48.3	64.4	49.9	57.1	50.7	54.2	39.4	190
203	-	57.3	43.4	54.7	46.8	52.0	37.9	203
216	-	51.7	-	51.2	49.9	48.5	36.6	216
229	-	-	-	41.3	46.0	44.7	34.7	229
243	-	-	-	-	-	37.3	34.7	243
256	-	-	-	-	-	40.9	36.1	256
269	-	-	-	-	-	38.1	34.5	269
282	-	-	-	-	-	-	35.4	282
295	-	-	-	-	-	-	34.3	295
308	-	-	-	-	-	-	31.1	308
321	-	-	-	-	-	-	28.4	321
335	-	-	-	-	-	-	24.2	335

Remarks

Counterweight 132,300 lb 176,400 lb 220,500 lb 264,600 lb 308,700 lb 352,800 lb

Max. capacities with minimum counterweight

Further counterweight configurations on request



# Lifting capacities luffing fly jib, main boom 83° to 65°



360°

DIN/ISO

83.7 ft + 13.1 ft Main boom + adapter		Fly jib																		Radius
		78.7 ft			98.4 ft			118.1 ft			137.8 ft			157.5 ft			177.2 ft			Radius
ft		83°	73°	65°	83°	73°	65°	83°	73°	65°	83°	73°	65°	83°	73°	65°	83°	73°	65°	ft
1,000 lb																				
46	244.5	-	-	203.9	-	-	-	-	-	-	-	-	-	-	-	-	-	-	-	46
52	234.5	-	-	201.8	-	-	167.5	-	-	-	-	-	-	-	-	-	-	-	-	52
59	219.4	-	-	196.2	-	-	167.5	-	-	133.3	-	-	108.0	-	-	-	-	-	-	59
65	203.3	-	-	190.2	-	-	167.5	-	-	133.3	-	-	108.0	-	-	90.3	-	-	-	65
72	183.5	167.8	-	181.0	-	-	166.4	-	-	133.3	-	-	108.0	-	-	90.3	-	-	-	72
79	168.0	156.1	-	171.6	149.5	-	162.9	-	-	132.2	-	-	108.0	-	-	90.3	-	-	-	79
85	-	148.1	-	163.5	141.5	-	157.8	135.9	-	131.2	-	-	108.0	-	-	90.3	-	-	-	85
92	-	141.0	-	153.0	133.2	-	151.9	127.7	-	130.0	-	-	108.0	-	-	90.3	-	-	-	92
98	-	137.9	121.6	144.9	127.1	-	144.9	122.7	-	128.9	117.1	-	108.0	-	-	90.3	-	-	-	98
105	-	-	115.7	-	122.3	110.2	134.4	117.9	-	125.6	111.3	-	108.0	105.8	-	90.3	-	-	-	105
111	-	-	111.7	-	118.3	105.1	125.3	113.9	103.9	122.6	107.2	-	108.0	101.7	-	90.3	89.3	-	-	111
118	-	-	-	-	115.7	100.3	106.1	111.3	99.2	114.7	103.6	-	105.8	97.0	-	90.3	88.2	-	-	118
124	-	-	-	-	-	97.3	-	108.3	94.2	107.7	99.6	90.7	103.8	94.0	-	90.3	86.2	-	-	124
131	-	-	-	-	-	94.8	-	104.8	90.5	97.3	96.0	87.2	98.3	90.5	-	88.2	84.9	-	-	131
138	-	-	-	-	-	-	-	99.0	87.0	83.3	93.6	82.6	92.4	87.0	79.2	86.9	82.6	-	-	138
144	-	-	-	-	-	-	-	-	86.0	-	91.6	80.5	87.3	84.9	76.2	82.9	81.6	-	-	144
151	-	-	-	-	-	-	-	-	83.7	-	87.0	77.1	77.0	83.7	72.7	78.2	79.3	72.7	-	151
157	-	-	-	-	-	-	-	-	-	-	83.0	75.1	66.9	81.7	70.7	74.1	78.3	70.7	-	157
164	-	-	-	-	-	-	-	-	-	-	-	73.8	-	77.1	68.3	69.4	76.0	67.2	-	164
177	-	-	-	-	-	-	-	-	-	-	-	-	-	69.5	65.7	53.5	68.4	63.7	-	177
190	-	-	-	-	-	-	-	-	-	-	-	-	-	-	60.0	-	62.5	58.5	-	190
203	-	-	-	-	-	-	-	-	-	-	-	-	-	-	-	-	-	53.5	-	203
216	-	-	-	-	-	-	-	-	-	-	-	-	-	-	-	-	-	-	-	216

		196.9 ft		216.5 ft		236.2 ft		255.9 ft		275.6 ft		295.3 ft		315.0 ft		ft	
1,000 lb																	
72	79.3	-	-	-	-	-	-	-	-	-	-	-	-	-	-	-	72
79	79.3	-	-	61.7	-	-	-	-	-	-	-	-	-	-	-	-	79
85	79.3	-	-	61.7	-	-	52.9	-	-	46.2	-	-	-	-	-	-	85
92	79.3	-	-	61.7	-	-	52.9	-	-	46.2	-	-	37.4	-	-	-	92
98	79.3	-	-	61.7	-	-	52.9	-	-	46.2	-	-	37.2	-	-	29.7	98
105	79.3	-	-	61.7	-	-	52.9	-	-	46.2	-	-	37.2	-	-	29.3	105
111	79.3	-	-	61.7	-	-	52.9	-	-	46.2	-	-	37.0	-	-	28.9	111
118	79.3	-	-	61.5	-	-	52.9	-	-	46.2	-	-	36.8	-	-	28.4	118
124	79.3	76.0	-	61.5	-	-	52.9	-	-	46.2	-	-	36.6	-	-	28.0	124
131	79.3	74.9	-	61.2	65.0	-	52.9	-	-	45.8	-	-	36.5	-	-	27.5	131
138	79.3	74.9	-	61.0	64.5	-	52.9	51.8	-	45.6	-	-	36.3	-	-	27.1	138
144	78.3	74.9	-	61.0	64.3	-	52.9	51.8	-	45.2	-	-	35.7	-	-	26.7	144
151	77.1	73.8	-	60.8	63.9	-	52.9	51.8	-	44.5	45.8	-	35.0	-	-	26.2	151
157	74.1	72.8	63.7	60.2	63.5	-	52.9	51.8	-	44.1	45.4	-	34.4	36.2	-	25.8	157
164	70.5	72.7	62.6	59.5	62.8	-	52.9	51.8	-	43.4	44.9	-	33.7	35.4	-	25.3	164
177	63.1	68.4	60.4	56.6	61.7	56.7	52.0	51.8	-	42.3	43.8	-	32.4	33.9	-	24.4	177
190	50.9	62.5	58.0	53.8	60.2	53.4	49.4	51.8	49.4	41.2	42.7	-	31.1	32.6	-	23.6	190
203	-	57.2	53.5	45.2	55.4	50.5	46.8	50.9	47.8	40.1	41.7	42.1	30.0	31.5	33.1	22.7	203
216	-	49.2	49.1	35.0	50.8	47.1	40.3	49.4	45.7	39.0	40.6	41.0	29.1	30.4	31.8	21.8	216
229	-	-	45.3	-	45.2	43.4	32.1	45.6	42.0	36.0	39.3	39.9	28.0	29.3	30.4	20.9	229
243	-	-	-	-	40.0	-	-	40.6	38.5	28.9	38.1	38.7	27.1	28.4	29.3	20.0	243
256	-	-	-	-	-	-	-	35.6	21.7	-	36.9	35.9	26.1	27.3	28.2	19.3	256
269	-	-	-	-	-	-	-	-	-	-	30.2	33.0	20.5	26.6	27.3	18.7	269
282	-	-	-	-	-	-	-	-	-	-	30.6	-	25.8	26.4	18.0	18.9	282
295	-	-	-	-	-	-	-	-	-	-	-	-	25.8	26.4	18.0	18.3	295
308	-	-	-	-	-	-	-	-	-	-	-	-	-	17.6	18.3	11.2	308
321	-	-	-	-	-	-	-	-	-	-	-	-	-	-	17.6	-	321
334	-	-	-	-	-	-	-	-	-	-	-	-	-	-	-	-	334
348	-	-	-	-	-	-	-	-	-	-	-	-	-	-	-	-	348

**Remarks**

Counterweight    132,300 lb    176,400 lb    220,500 lb    264,600 lb    308,700 lb    352,800 lb

Max. capacities with minimum counterweight

Further counterweight configurations on request





100.0 ft + 13.1 ft Main boom + adapter

Radius ft	Fly jib																		Radius ft
	78.7 ft			98.4 ft			118.1 ft			137.8 ft			157.5 ft			177.2 ft			
	83°	73°	65°	83°	73°	65°	83°	73°	65°	83°	73°	65°	83°	73°	65°	83°	73°	65°	
	1,000 lb																		
52	206.1	-	-	177.4	-	-	136.6	-	-	-	-	-	-	-	-	-	-	-	52
59	191.9	-	-	173.1	-	-	136.6	-	-	110.2	-	-	-	-	-	-	-	-	59
65	180.8	-	-	168.0	-	-	136.6	-	-	110.2	-	-	88.1	-	-	-	-	-	65
72	170.0	-	-	160.0	-	-	135.6	-	-	110.2	-	-	88.1	-	-	73.8	-	-	72
79	161.8	136.3	-	150.6	-	-	133.2	-	-	110.1	-	-	88.1	-	-	73.8	-	-	79
85	156.7	128.2	-	143.6	124.8	-	130.2	-	-	109.1	-	-	88.1	-	-	73.8	-	-	85
92	-	121.1	-	136.5	117.8	-	126.6	107.9	-	108.0	-	-	88.1	-	-	73.8	-	-	92
98	-	116.1	-	131.5	113.8	-	122.6	102.8	-	108.0	-	-	88.1	-	-	73.8	-	-	98
105	-	112.4	99.2	130.0	109.1	-	117.9	96.9	-	106.9	93.6	-	88.1	-	-	73.8	-	-	105
111	-	-	95.1	-	105.0	92.9	112.8	92.9	-	105.9	89.6	-	88.1	85.1	-	73.8	-	-	111
118	-	-	91.5	-	101.4	88.2	107.0	90.4	-	101.4	86.0	-	88.1	81.6	-	73.8	73.8	-	118
124	-	-	-	-	98.4	85.2	93.9	87.3	77.6	97.4	83.0	-	88.1	78.6	-	73.8	71.8	-	124
131	-	-	-	-	-	81.6	-	86.0	73.9	92.7	79.4	71.8	84.9	75.0	-	73.8	69.5	-	131
138	-	-	-	-	-	79.2	-	85.9	70.5	87.7	77.1	67.1	81.4	72.6	-	73.7	68.2	-	138
144	-	-	-	-	-	-	-	85.9	69.5	74.6	76.1	65.5	78.4	70.6	62.9	71.7	66.2	-	144
151	-	-	-	-	-	-	-	-	67.2	-	73.8	62.8	75.9	68.3	59.9	69.4	65.4	-	151
157	-	-	-	-	-	-	-	-	66.2	-	72.8	61.1	70.9	67.3	57.7	67.4	64.2	56.6	157
164	-	-	-	-	-	-	-	-	-	-	72.7	59.3	59.3	66.1	55.3	65.0	62.8	54.2	164
177	-	-	-	-	-	-	-	-	-	-	-	58.2	-	65.2	52.2	56.3	60.6	50.3	177
190	-	-	-	-	-	-	-	-	-	-	-	-	-	-	50.5	-	58.9	47.4	190
203	-	-	-	-	-	-	-	-	-	-	-	-	-	-	-	-	55.8	45.4	203
216	-	-	-	-	-	-	-	-	-	-	-	-	-	-	-	-	-	44.3	216
229	-	-	-	-	-	-	-	-	-	-	-	-	-	-	-	-	-	-	229

ft	196.9 ft	216.5 ft		236.2 ft		255.9 ft		275.6 ft	295.3 ft		315.0 ft		ft
	1,000 lb												
72	66.1	-	-	-	-	-	-	-	-	-	-	-	72
79	66.1	-	-	51.3	-	-	-	-	-	-	-	-	79
85	66.1	-	-	51.3	-	44.5	-	-	-	-	-	-	85
92	66.1	-	-	51.3	-	44.5	-	38.8	-	-	-	-	92
98	66.1	-	-	51.3	-	44.5	-	38.8	-	31.3	-	-	98
105	66.1	-	-	51.3	-	44.5	-	38.8	-	31.3	-	25.5	105
111	66.1	-	-	51.3	-	44.5	-	38.8	-	31.3	-	25.1	111
118	66.1	-	-	51.3	-	44.5	-	38.8	-	31.0	-	24.9	118
124	66.1	-	-	51.1	-	44.5	-	38.8	-	31.0	-	24.7	124
131	66.1	61.5	-	51.1	-	44.5	-	38.5	-	31.0	-	24.4	131
138	66.1	61.0	-	51.1	56.6	44.5	-	38.5	-	30.8	-	24.0	138
144	65.9	60.2	-	50.9	55.6	44.5	43.4	38.3	-	30.6	-	23.8	144
151	65.8	59.5	-	50.9	54.6	44.5	43.4	38.1	-	30.4	-	23.5	151
157	64.2	58.9	-	50.7	53.6	44.5	43.2	37.9	37.9	30.2	-	23.1	157
164	62.6	57.9	50.2	50.7	52.6	44.5	43.2	37.7	37.7	29.9	30.2	22.9	164
177	59.3	56.2	47.8	49.1	50.7	46.5	44.3	42.9	37.0	37.2	29.3	29.5	177
190	52.8	54.2	45.6	47.6	48.9	43.5	43.2	40.1	36.6	36.8	28.6	28.8	190
203	-	52.3	43.5	46.1	47.4	40.4	41.9	42.3	38.2	35.9	36.1	34.4	203
216	-	49.9	41.7	36.7	46.1	38.4	40.6	41.4	36.2	35.3	35.5	32.9	216
229	-	-	39.9	-	44.6	37.3	33.2	40.6	34.6	34.6	34.8	31.3	229
243	-	-	-	-	36.1	-	39.6	33.4	29.8	33.9	30.1	26.0	243
256	-	-	-	-	35.0	-	35.2	32.3	22.8	33.0	29.0	25.1	256
269	-	-	-	-	-	-	-	31.0	-	31.9	28.2	21.3	269
282	-	-	-	-	-	-	-	-	-	27.3	-	25.5	282
295	-	-	-	-	-	-	-	-	-	24.0	20.3	13.9	295
308	-	-	-	-	-	-	-	-	-	-	19.6	-	308
321	-	-	-	-	-	-	-	-	-	-	-	17.2	321
334	-	-	-	-	-	-	-	-	-	-	-	15.2	334
348	-	-	-	-	-	-	-	-	-	-	-	-	348

Remarks

Counterweight 132,300 lb 176,400 lb 220,500 lb 264,600 lb 308,700 lb 352,800 lb

Max. capacities with minimum counterweight

Further counterweight configurations on request

# Lifting capacities luffing fly jib, main boom 83° to 65°



360°

DIN/ISO

116.5 ft + 13.1 ft Main boom + adapter

Radius ft	Fly jib																		Radius ft
	78.7 ft			98.4 ft			118.1 ft			137.8 ft			157.5 ft			177.2 ft			
	83°	73°	65°	83°	73°	65°	83°	73°	65°	83°	73°	65°	83°	73°	65°	83°	73°	65°	
	1,000 lb																		
52	180.4	-	-	148.9	-	-	-	-	-	-	-	-	-	-	-	-	-	-	52
59	169.8	-	-	146.6	-	-	120.1	-	-	-	-	-	-	-	-	-	-	-	59
65	160.7	-	-	143.6	-	-	120.1	-	-	99.2	-	-	78.2	-	-	-	-	-	65
72	150.1	-	-	137.9	-	-	120.1	-	-	99.2	-	-	78.2	-	-	66.1	-	-	72
79	141.9	-	-	132.0	-	-	117.8	-	-	99.2	-	-	78.2	-	-	66.1	-	-	79
85	136.9	111.5	-	127.0	-	-	115.8	-	-	99.2	-	-	78.2	-	-	66.1	-	-	85
92	-	105.7	-	122.2	100.1	-	112.3	-	-	98.1	-	-	78.2	-	-	66.1	-	-	92
98	-	100.6	-	119.2	95.1	-	110.3	91.7	-	98.1	-	-	78.2	-	-	66.1	-	-	98
105	-	96.9	-	117.9	90.3	-	109.1	87.0	-	96.9	-	-	78.2	-	-	66.1	-	-	105
111	-	-	80.7	-	87.3	-	107.1	83.0	-	95.9	80.8	-	78.2	-	-	66.1	-	-	111
118	-	-	77.2	-	83.8	71.6	105.8	79.4	-	94.8	77.2	-	78.2	72.7	-	66.1	-	-	118
124	-	-	73.2	-	81.7	69.6	100.8	76.4	-	93.8	74.1	-	78.2	70.7	-	66.1	66.3	-	124
131	-	-	-	-	-	66.2	-	73.9	64.7	91.5	70.6	-	77.2	67.3	-	66.1	63.8	-	131
138	-	-	-	-	-	64.5	-	72.7	61.4	89.9	68.2	-	77.1	65.4	-	66.1	61.4	-	138
144	-	-	-	-	-	63.1	-	72.7	59.4	78.8	66.2	56.5	76.1	63.6	-	65.9	59.8	-	144
151	-	-	-	-	-	-	-	-	57.0	-	65.0	53.7	74.9	61.2	51.7	65.6	57.7	-	151
157	-	-	-	-	-	-	-	-	55.8	-	63.8	51.9	73.9	60.0	49.5	65.2	56.3	-	157
164	-	-	-	-	-	-	-	-	54.6	-	62.6	49.8	63.1	58.4	47.1	65.0	54.6	45.2	164
177	-	-	-	-	-	-	-	-	-	-	-	47.8	-	56.8	43.6	58.7	52.2	41.4	177
190	-	-	-	-	-	-	-	-	-	-	-	-	-	41.7	-	50.7	38.6	-	190
203	-	-	-	-	-	-	-	-	-	-	-	-	-	40.8	-	49.6	36.4	-	203
216	-	-	-	-	-	-	-	-	-	-	-	-	-	-	-	-	35.1	-	216
229	-	-	-	-	-	-	-	-	-	-	-	-	-	-	-	-	-	-	229

ft	196.9 ft		216.5 ft		236.2 ft		255.9 ft		275.6 ft		295.3 ft		315.0 ft		ft
	1,000 lb														
79	59.5	-	-	-	-	-	-	-	-	-	-	-	-	-	79
85	59.5	-	-	46.2	-	-	-	-	-	-	-	-	-	-	85
92	59.5	-	-	46.2	-	-	40.7	-	-	-	-	-	-	-	92
98	59.5	-	-	46.2	-	-	40.7	-	-	28.6	-	-	-	-	98
105	59.5	-	-	46.2	-	-	40.7	-	-	28.6	-	-	24.2	-	105
111	59.5	-	-	46.2	-	-	40.7	-	-	28.6	-	-	24.0	-	111
118	59.5	-	-	46.2	-	-	40.7	-	-	28.6	-	-	24.0	-	118
124	59.5	-	-	46.2	-	-	40.7	-	-	28.6	-	-	23.8	-	124
131	59.5	-	-	46.2	-	-	40.7	-	-	28.6	-	-	23.8	-	131
138	59.5	54.1	-	46.2	-	-	40.7	-	-	28.6	-	-	23.5	-	138
144	59.5	52.9	-	46.2	54.3	-	40.7	-	-	28.6	-	-	23.3	-	144
151	59.5	51.7	-	46.2	52.2	-	40.7	39.6	-	28.6	-	-	23.1	-	151
157	59.3	50.7	-	46.2	50.6	-	40.7	39.6	-	28.6	-	-	23.1	-	157
164	58.8	49.6	-	46.2	48.7	-	40.7	39.4	-	28.6	-	-	22.9	-	164
177	58.2	47.6	41.0	46.2	45.6	-	40.7	39.2	-	28.6	27.5	-	22.4	-	177
190	54.5	45.8	38.4	46.2	43.2	37.3	40.7	38.8	-	28.6	27.5	-	22.0	22.7	190
203	41.6	44.3	36.0	46.2	41.0	34.0	40.7	38.1	32.9	28.6	27.5	-	21.6	22.2	203
216	-	43.2	34.0	38.2	39.5	31.4	40.7	37.5	30.3	28.2	27.5	-	21.1	21.8	216
229	-	-	32.4	-	38.4	29.4	34.2	36.6	27.9	27.6	27.5	23.2	20.5	21.4	229
243	-	-	31.0	-	37.6	28.2	24.7	35.4	25.9	26.6	27.1	21.8	20.0	20.9	243
256	-	-	-	-	27.5	-	34.3	24.6	23.7	25.9	26.4	20.4	19.6	20.5	256
269	-	-	-	-	-	-	-	23.8	-	21.8	25.7	19.4	18.9	20.0	269
282	-	-	-	-	-	-	-	23.3	-	-	25.3	18.3	18.5	19.4	282
295	-	-	-	-	-	-	-	-	-	20.9	24.7	17.2	14.4	18.9	295
308	-	-	-	-	-	-	-	-	-	-	-	16.3	-	18.3	308
321	-	-	-	-	-	-	-	-	-	-	-	15.4	-	17.8	321
334	-	-	-	-	-	-	-	-	-	-	-	-	-	13.7	334
348	-	-	-	-	-	-	-	-	-	-	-	-	-	-	348
361	-	-	-	-	-	-	-	-	-	-	-	-	-	-	361

Remarks

Counterweight 132,300 lb 176,400 lb 220,500 lb 264,600 lb 308,700 lb 352,800 lb

Max. capacities with minimum counterweight

Further counterweight configurations on request



132.9 ft + 13.1 ft Main boom + adapter

Radius ft	Fly jib																		Radius ft
	78.7 ft			98.4 ft			118.1 ft			137.8 ft			157.5 ft			177.2 ft			
	83°	73°	65°	83°	73°	65°	83°	73°	65°	83°	73°	65°	83°	73°	65°	83°	73°	65°	
	1,000 lb																		
59	144.4	-	-	123.4	-	-	94.7	-	-	-	-	-	-	-	-	-	-	-	59
65	139.4	-	-	123.4	-	-	94.7	-	-	78.2	-	-	-	-	-	-	-	-	65
72	132.4	-	-	121.3	-	-	94.7	-	-	78.2	-	-	64.3	-	-	-	-	-	72
79	124.3	-	-	114.4	-	-	94.7	-	-	78.2	-	-	64.3	-	-	55.5	-	-	79
85	118.2	-	-	109.3	-	-	92.6	-	-	78.2	-	-	64.3	-	-	55.5	-	-	85
92	-	91.3	-	104.6	-	-	90.3	-	-	78.2	-	-	64.3	-	-	55.5	-	-	92
98	-	86.3	-	101.5	85.3	-	89.3	-	-	78.2	-	-	64.3	-	-	55.5	-	-	98
105	-	82.6	-	100.3	80.4	-	88.1	71.6	-	77.1	-	-	64.3	-	-	55.5	-	-	105
111	-	78.6	-	-	76.4	-	87.1	68.6	-	77.1	-	-	64.3	-	-	55.5	-	-	111
118	-	-	65.9	-	72.8	-	85.9	65.5	-	76.0	63.3	-	64.3	-	-	55.3	-	-	118
124	-	-	61.7	-	69.7	-	84.9	62.7	-	76.0	60.7	-	64.1	58.0	-	55.3	-	-	124
131	-	-	58.9	-	68.3	58.0	-	60.6	-	74.9	58.0	-	63.9	55.4	-	55.3	-	-	131
138	-	-	-	-	-	55.0	-	58.6	49.9	73.8	55.5	-	63.4	52.8	-	55.3	50.2	-	138
144	-	-	-	-	-	53.0	-	57.8	47.9	72.8	53.8	-	63.2	51.0	-	55.1	48.5	-	144
151	-	-	-	-	-	50.6	-	57.0	45.6	-	52.0	43.6	62.8	48.9	-	55.1	46.4	-	151
157	-	-	-	-	-	-	-	-	44.4	-	51.0	42.0	62.2	47.5	-	54.9	45.0	-	157
164	-	-	-	-	-	-	-	-	42.7	-	50.0	40.1	61.7	45.8	37.9	54.4	43.4	-	164
177	-	-	-	-	-	-	-	-	-	-	-	37.5	-	43.8	34.6	54.0	41.0	33.5	177
190	-	-	-	-	-	-	-	-	-	-	-	36.1	-	42.7	32.2	-	39.2	30.7	190
203	-	-	-	-	-	-	-	-	-	-	-	-	-	-	30.6	-	38.1	28.5	203
216	-	-	-	-	-	-	-	-	-	-	-	-	-	-	-	-	-	26.9	216
229	-	-	-	-	-	-	-	-	-	-	-	-	-	-	-	-	-	26.0	229
243	-	-	-	-	-	-	-	-	-	-	-	-	-	-	-	-	-	-	243

ft	196.9 ft		216.5 ft		236.2 ft		255.9 ft		275.6 ft		295.3 ft		315.0 ft		ft
	1,000 lb														
79	48.2	-	-	-	-	-	-	-	-	-	-	-	-	-	79
85	48.2	-	-	37.4	-	-	-	-	-	-	-	-	-	-	85
92	48.2	-	-	37.4	-	-	31.5	-	-	-	-	-	-	-	92
98	48.2	-	-	37.4	-	-	31.5	-	27.7	-	-	-	-	-	98
105	48.2	-	-	37.4	-	-	31.5	-	27.7	-	-	22.0	-	-	105
111	48.2	-	-	37.4	-	-	31.5	-	27.5	-	-	22.0	-	18.2	111
118	48.2	-	-	37.4	-	-	31.5	-	27.5	-	-	22.0	-	18.2	118
124	48.2	-	-	37.4	-	-	31.5	-	27.3	-	-	22.0	-	18.1	124
131	48.2	-	-	37.4	-	-	31.5	-	27.3	-	-	22.0	-	18.0	131
138	48.2	-	-	37.4	-	-	31.5	-	27.3	-	-	22.0	-	18.0	138
144	48.2	43.2	-	37.4	-	-	31.5	-	27.3	-	-	22.0	-	17.8	144
151	48.2	42.0	-	37.4	42.0	-	31.5	-	27.3	-	-	22.0	-	17.8	151
157	48.2	41.0	-	37.4	40.8	-	31.5	-	27.3	-	-	22.0	-	17.8	157
164	48.0	39.9	-	37.4	39.4	-	31.5	30.2	27.3	-	-	22.0	-	17.6	164
177	47.6	37.9	-	37.4	37.0	-	31.5	29.7	27.3	27.5	-	22.0	20.9	17.6	177
190	47.1	36.4	30.0	37.4	34.4	-	31.5	29.3	27.3	26.9	-	22.0	20.9	17.4	190
203	43.3	35.0	27.8	37.4	32.6	26.9	31.5	28.8	27.1	26.4	-	22.0	20.9	17.2	203
216	-	33.9	26.0	37.4	31.5	24.5	31.5	28.2	23.0	27.1	25.8	-	21.8	20.9	216
229	-	33.1	24.5	-	30.4	22.3	31.5	27.3	21.0	27.1	25.1	18.5	21.6	20.9	229
243	-	-	23.3	-	29.3	21.3	26.1	26.4	18.7	27.0	24.4	16.9	21.1	20.9	243
256	-	-	-	-	-	20.4	-	25.7	18.0	24.4	23.8	15.8	20.9	20.5	256
269	-	-	-	-	-	19.6	-	24.9	17.1	-	23.1	14.9	20.5	20.2	269
282	-	-	-	-	-	-	-	-	16.5	-	22.2	14.1	16.1	20.0	282
295	-	-	-	-	-	-	-	-	-	-	13.6	-	19.8	11.6	295
308	-	-	-	-	-	-	-	-	-	-	13.4	-	19.4	11.0	308
321	-	-	-	-	-	-	-	-	-	-	-	-	10.6	-	321
334	-	-	-	-	-	-	-	-	-	-	-	-	-	14.1	334
348	-	-	-	-	-	-	-	-	-	-	-	-	-	9.0	348
361	-	-	-	-	-	-	-	-	-	-	-	-	-	8.3	361

Remarks

Counterweight 132,300 lb 176,400 lb 220,500 lb 264,600 lb 308,700 lb 352,800 lb

Max. capacities with minimum counterweight

Further counterweight configurations on request

# Lifting capacities luffing fly jib, main boom 83° to 65°



360°

DIN/ISO

149.3 ft + 13.1 ft Main boom + adapter		Fly jib																		
		78.7 ft			98.4 ft			118.1 ft			137.8 ft			157.5 ft			177.2 ft			Radius
Radius		83°	73°	65°	83°	73°	65°	83°	73°	65°	83°	73°	65°	83°	73°	65°	83°	73°	65°	ft
ft		1,000 lb																		ft
65	113.7	-	-	99.2	-	-	79.3	-	-	-	-	-	-	-	-	-	-	-	-	65
72	109.2	-	-	99.2	-	-	79.3	-	-	66.1	-	-	57.3	-	-	-	-	-	-	72
79	103.4	-	-	95.7	-	-	79.3	-	-	66.1	-	-	57.3	-	-	-	-	50.7	-	79
85	98.3	-	-	91.6	-	-	79.3	-	-	66.1	-	-	57.3	-	-	-	-	50.7	-	85
92	93.6	-	-	88.1	-	-	77.1	-	-	66.1	-	-	57.3	-	-	-	-	50.7	-	92
98	-	-	-	86.1	-	-	77.1	-	-	66.1	-	-	57.3	-	-	-	-	50.7	-	98
105	-	71.6	-	84.8	67.2	-	76.0	-	-	66.1	-	-	57.0	-	-	-	-	50.7	-	105
111	-	67.6	-	82.8	64.2	-	75.0	60.8	-	66.1	-	-	57.0	-	-	-	-	50.7	-	111
118	-	65.2	-	-	61.1	-	74.9	57.5	-	66.1	-	-	56.8	-	-	-	-	50.7	-	118
124	-	-	-	-	58.6	-	73.9	54.9	-	66.1	52.7	-	56.6	-	-	-	-	50.5	-	124
131	-	-	49.2	-	56.7	-	73.8	52.5	-	65.7	50.1	-	56.4	47.9	-	-	-	50.4	-	131
138	-	-	46.4	-	54.8	44.9	-	50.4	-	65.4	47.5	-	56.2	45.3	-	-	-	50.4	-	138
144	-	-	-	-	-	43.3	-	49.2	-	65.0	45.9	-	55.8	43.5	-	-	-	50.2	42.2	144
151	-	-	-	-	-	41.4	-	48.0	38.3	64.8	43.8	-	55.5	41.4	-	-	-	50.2	40.1	151
157	-	-	-	-	-	40.2	-	47.6	36.9	-	42.8	-	55.1	39.8	-	-	-	50.0	38.6	157
164	-	-	-	-	-	-	-	-	35.2	-	41.4	33.7	54.8	38.1	-	-	-	49.8	36.8	164
177	-	-	-	-	-	-	-	-	33.5	-	39.9	31.3	-	35.7	28.7	-	-	49.1	34.2	177
190	-	-	-	-	-	-	-	-	-	-	-	29.3	-	34.2	26.2	-	-	45.9	32.2	190
203	-	-	-	-	-	-	-	-	-	-	-	-	-	-	24.3	-	-	30.6	23.4	203
216	-	-	-	-	-	-	-	-	-	-	-	-	-	-	22.9	-	-	30.0	21.8	216
229	-	-	-	-	-	-	-	-	-	-	-	-	-	-	-	-	-	-	20.5	229

		196.9 ft			216.5 ft			236.2 ft			255.9 ft			275.6 ft			295.3 ft			315.0 ft			ft
ft		1,000 lb																		ft			
85	41.8	-	-	-	-	-	-	-	-	-	-	-	-	-	-	-	-	-	-	-	85		
92	41.8	-	-	32.4	-	-	-	-	-	-	-	-	-	-	-	-	-	-	-	-	92		
98	41.8	-	-	32.4	-	-	25.3	-	-	23.3	-	-	-	-	-	-	-	-	-	-	98		
105	41.8	-	-	32.4	-	-	25.3	-	-	23.1	-	-	-	-	-	-	-	-	-	-	105		
111	41.8	-	-	32.4	-	-	25.3	-	-	22.9	-	-	17.6	-	-	-	-	-	-	-	111		
118	41.8	-	-	32.4	-	-	25.3	-	-	22.7	-	-	17.6	-	-	14.3	-	-	10.8	-	118		
124	41.8	-	-	32.4	-	-	25.3	-	-	22.5	-	-	17.6	-	-	14.3	-	-	10.6	-	124		
131	41.8	-	-	32.4	-	-	25.3	-	-	22.4	-	-	17.6	-	-	14.3	-	-	10.1	-	131		
138	41.8	-	-	32.4	-	-	25.3	-	-	22.2	-	-	17.6	-	-	14.3	-	-	9.9	-	138		
144	41.8	-	-	32.4	-	-	25.3	-	-	22.0	-	-	17.6	-	-	14.3	-	-	9.7	-	144		
151	41.8	37.0	-	32.4	-	-	25.3	-	-	22.0	-	-	17.6	-	-	14.3	-	-	9.4	-	151		
157	41.8	36.0	-	32.4	-	-	25.3	-	-	22.0	-	-	17.6	-	-	14.3	-	-	9.2	-	157		
164	41.8	34.8	-	32.4	32.8	-	25.3	-	-	22.0	-	-	17.6	-	-	14.3	-	-	9.0	-	164		
177	41.8	32.8	-	32.4	30.4	-	25.3	23.8	-	22.0	24.9	-	17.6	-	-	14.3	-	-	8.6	-	177		
190	41.8	31.1	-	32.4	28.4	-	25.3	23.3	-	22.0	23.6	-	17.6	16.5	-	14.3	-	-	8.3	-	190		
203	41.8	29.5	22.7	32.4	26.7	-	25.3	22.7	-	22.0	22.3	-	17.6	16.5	-	14.3	13.2	-	8.1	8.8	203		
216	-	28.2	20.8	32.4	25.1	19.0	25.3	22.0	17.5	22.0	20.9	-	17.6	16.5	-	14.3	13.2	-	7.9	8.6	216		
229	-	27.3	19.2	29.0	23.8	17.0	25.3	21.4	15.3	22.0	19.8	11.9	17.6	16.5	-	14.3	13.2	-	7.7	8.3	229		
243	-	-	18.0	-	22.9	15.6	25.3	20.7	13.4	22.0	18.7	10.5	17.6	16.5	11.2	14.3	13.2	-	7.7	8.1	243		
256	-	-	16.9	-	22.2	14.5	-	19.8	12.1	22.0	17.8	9.4	17.6	16.0	9.9	14.3	13.0	10.5	7.4	7.9	256		
269	-	-	-	-	-	13.6	-	18.7	11.0	17.2	16.9	8.6	17.6	15.4	8.6	14.3	12.7	9.0	7.4	7.7	269		
282	-	-	-	-	-	-	-	10.3	-	16.3	8.1	16.7	14.9	7.7	14.3	12.5	7.9	7.2	7.4	-	282		
295	-	-	-	-	-	-	-	9.9	-	15.6	7.5	-	14.3	7.0	14.3	12.3	6.8	7.2	7.4	-	295		
308	-	-	-	-	-	-	-	-	-	-	-	7.2	-	13.6	6.4	9.4	12.1	5.9	7.0	7.2	308		
321	-	-	-	-	-	-	-	-	-	-	-	-	-	6.1	-	11.9	5.3	6.6	7.0	-	321		
334	-	-	-	-	-	-	-	-	-	-	-	-	-	6.1	-	-	4.8	-	6.8	-	334		
348	-	-	-	-	-	-	-	-	-	-	-	-	-	-	-	-	4.4	-	6.6	-	348		

**Remarks**

Counterweight    132,300 lb    176,400 lb    220,500 lb    264,600 lb    308,700 lb    352,800 lb

Max. capacities with minimum counterweight

Further counterweight configurations on request



165.7 ft + 13.1 ft Main boom + adapter

Radius ft	78.7 ft			98.4 ft			118.1 ft			137.8 ft			157.5 ft			177.2 ft			Radius ft
	83°	73°	65°	83°	73°	65°	83°	73°	65°	83°	73°	65°	83°	73°	65°	83°	73°	65°	
	Fly jib																		
	1,000 lb																		
65	83.7	-	-	71.8	-	-	58.6	-	-	48.7	-	-	-	-	-	-	-	-	65
72	82.7	-	-	69.5	-	-	58.6	-	-	48.7	-	-	-	-	-	-	-	-	72
79	80.4	-	-	68.3	-	-	58.6	-	-	48.7	-	-	44.5	-	-	-	-	-	79
85	79.4	-	-	68.3	-	-	58.6	-	-	48.7	-	-	44.5	-	-	37.6	-	-	85
92	77.1	-	-	68.3	-	-	58.1	-	-	48.7	-	-	44.5	-	-	37.6	-	-	92
98	-	-	-	68.3	-	-	57.7	-	-	48.7	-	-	44.5	-	-	37.6	-	-	98
105	-	59.2	-	67.2	-	-	57.5	-	-	48.7	-	-	44.3	-	-	37.6	-	-	105
111	-	56.4	-	66.2	54.4	-	57.1	-	-	48.7	-	-	44.1	-	-	37.6	-	-	111
118	-	53.8	-	-	51.8	-	56.8	-	-	48.7	-	-	43.6	-	-	37.4	-	-	118
124	-	51.8	-	-	49.6	-	56.7	43.6	-	48.7	-	-	43.2	-	-	37.4	-	-	124
131	-	-	-	-	47.4	-	56.4	41.7	-	48.7	39.5	-	42.9	-	-	37.4	-	-	131
138	-	-	-	-	45.3	-	-	39.8	-	48.4	37.4	-	42.5	35.4	-	37.4	-	-	138
144	-	-	-	-	44.1	37.6	-	38.6	-	48.2	36.0	-	42.1	33.8	-	37.4	-	-	144
151	-	-	-	-	-	35.2	-	37.2	-	48.2	34.3	-	41.8	31.9	-	37.4	30.6	-	151
157	-	-	-	-	-	33.8	-	36.6	29.6	-	33.3	-	41.4	30.7	-	37.2	29.4	-	157
164	-	-	-	-	-	31.9	-	35.9	28.2	-	31.9	-	41.2	29.1	-	37.0	28.0	-	164
177	-	-	-	-	-	-	-	-	26.2	-	30.6	24.2	-	27.1	-	36.6	25.8	-	177
190	-	-	-	-	-	-	-	-	-	-	-	22.5	-	25.6	20.1	36.3	24.0	-	190
203	-	-	-	-	-	-	-	-	-	-	-	21.2	-	24.7	18.3	-	22.7	17.4	203
216	-	-	-	-	-	-	-	-	-	-	-	-	-	17.0	-	21.8	15.9	-	216
229	-	-	-	-	-	-	-	-	-	-	-	-	-	-	-	-	14.6	-	229
243	-	-	-	-	-	-	-	-	-	-	-	-	-	-	-	-	13.8	-	243
256	-	-	-	-	-	-	-	-	-	-	-	-	-	-	-	-	-	-	256

ft	196.9 ft			216.5 ft			236.2 ft			255.9 ft			275.6 ft			295.3 ft			ft
	83°	73°	65°	83°	73°	65°	83°	73°	65°	83°	73°	65°	83°	73°	65°	83°	73°	65°	
	1,000 lb																		
85	29.7	-	-	-	-	-	-	-	-	-	-	-	-	-	-	-	-	-	85
92	29.7	-	-	22.7	-	-	-	-	-	-	-	-	-	-	-	-	-	-	92
98	29.7	-	-	22.7	-	-	17.1	-	-	-	-	-	-	-	-	-	-	-	98
105	29.7	-	-	22.7	-	-	17.1	-	-	14.5	-	-	-	-	-	-	-	-	105
111	29.7	-	-	22.7	-	-	17.1	-	-	14.3	-	-	10.5	-	-	-	-	-	111
118	29.7	-	-	22.7	-	-	17.1	-	-	14.3	-	-	10.5	-	-	-	-	-	118
124	29.7	-	-	22.7	-	-	17.1	-	-	14.3	-	-	10.5	-	-	-	-	-	124
131	29.7	-	-	22.7	-	-	17.1	-	-	14.1	-	-	10.5	-	-	-	-	-	131
138	29.7	-	-	22.7	-	-	17.1	-	-	14.1	-	-	10.5	-	-	-	-	-	138
144	29.7	-	-	22.7	-	-	17.1	-	-	13.9	-	-	10.5	-	-	-	-	-	144
151	29.7	-	-	22.7	-	-	17.1	-	-	13.8	-	-	10.5	-	-	-	-	-	151
157	29.7	26.7	-	22.7	-	-	17.1	-	-	13.8	-	-	10.5	-	-	-	-	-	157
164	29.7	25.8	-	22.7	-	-	17.1	-	-	13.8	-	-	10.5	-	-	-	-	-	164
177	29.7	24.0	-	22.7	21.6	-	17.1	16.5	-	13.8	-	-	10.5	-	-	-	-	-	177
190	29.7	22.3	-	22.7	19.8	-	17.1	15.8	-	13.8	-	-	10.5	-	-	-	-	-	190
203	29.7	20.9	16.3	22.7	18.3	-	17.1	15.4	-	13.8	-	-	10.5	-	-	-	-	-	203
216	-	20.0	14.8	22.7	17.0	-	17.1	14.7	-	13.8	-	-	10.5	-	-	-	-	-	216
229	-	19.2	13.5	22.7	16.1	-	17.1	14.1	-	13.8	-	-	10.5	-	-	-	-	-	229
243	-	18.5	12.3	-	15.2	-	17.1	13.6	-	13.8	-	-	10.5	-	-	-	-	-	243
256	-	-	11.6	-	14.5	-	-	13.0	-	13.8	-	-	10.5	-	-	-	-	-	256
269	-	-	-	-	-	-	-	12.5	-	13.8	-	-	10.5	-	-	-	-	-	269
282	-	-	-	-	-	-	-	11.9	-	-	-	-	10.5	-	-	-	-	-	282
295	-	-	-	-	-	-	-	-	-	-	-	-	-	-	-	-	-	-	295

Remarks

Counterweight 132,300 lb 176,400 lb 220,500 lb 264,600 lb 308,700 lb 352,800 lb

Max. capacities with minimum counterweight

Further counterweight configurations on request

# Lifting capacities luffing fly jib, main boom 83° to 65°



360°

DIN/ISO

182.1 ft + 13.1 ft Main boom + adapter

Radius ft	Fly jib																		Radius ft
	78.7 ft			98.4 ft			118.1 ft			137.8 ft			157.5 ft			177.2 ft			
	83°	73°	65°	83°	73°	65°	83°	73°	65°	83°	73°	65°	83°	73°	65°	83°	73°	65°	
	1,000 lb																		
72	68.3	-	-	56.2	-	-	44.0	-	-	36.5	-	-	-	-	-	-	-	-	72
79	66.0	-	-	56.1	-	-	44.0	-	-	36.5	-	-	-	-	-	-	-	-	79
85	65.0	-	-	55.5	-	-	44.0	-	-	36.5	-	-	36.3	-	-	-	-	-	85
92	63.4	-	-	54.4	-	-	44.0	-	-	36.5	-	-	36.3	-	-	28.4	-	-	92
98	-	-	-	53.6	-	-	44.0	-	-	36.5	-	-	36.3	-	-	28.4	-	-	98
105	-	-	-	52.6	-	-	44.0	-	-	36.5	-	-	36.1	-	-	28.4	-	-	105
111	-	-	-	51.8	-	-	44.0	-	-	36.5	-	-	35.9	-	-	28.4	-	-	111
118	-	44.7	-	-	40.3	-	44.0	-	-	36.5	-	-	35.2	-	-	28.4	-	-	118
124	-	42.7	-	-	38.5	-	44.0	-	-	36.5	-	-	34.6	-	-	28.4	-	-	124
131	-	-	-	-	36.8	-	44.0	34.2	-	36.5	-	-	34.1	-	-	28.4	-	-	131
138	-	-	-	-	35.2	-	-	32.5	-	36.5	30.3	-	33.4	-	-	28.4	-	-	138
144	-	-	-	-	34.2	-	-	31.5	-	36.5	29.1	-	33.0	-	-	28.4	-	-	144
151	-	-	-	-	-	-	-	30.4	-	36.5	27.7	-	32.6	25.1	-	28.4	-	-	151
157	-	-	-	-	-	26.9	-	29.7	-	-	26.7	-	32.2	24.1	-	28.4	22.5	-	157
164	-	-	-	-	-	25.5	-	28.8	-	-	25.8	-	31.9	22.7	-	28.2	21.3	-	164
177	-	-	-	-	-	-	-	-	21.6	-	24.2	-	-	20.9	-	27.9	19.4	-	177
190	-	-	-	-	-	-	-	-	20.0	-	-	17.6	-	19.4	-	27.7	17.8	-	190
203	-	-	-	-	-	-	-	-	-	-	-	16.3	-	18.5	13.6	-	16.7	12.6	203
216	-	-	-	-	-	-	-	-	-	-	-	-	-	-	12.6	-	15.9	11.2	216
229	-	-	-	-	-	-	-	-	-	-	-	-	-	-	11.7	-	-	10.1	229
243	-	-	-	-	-	-	-	-	-	-	-	-	-	-	-	-	-	9.2	243

ft	196.9 ft		216.5 ft		236.2 ft		255.9 ft		275.6 ft		295.3 ft		ft
	1,000 lb												
92	20.9	-	-	-	-	-	-	-	-	-	-	-	92
98	20.9	-	-	15.4	-	-	-	-	-	-	-	-	98
105	20.9	-	-	14.4	-	-	-	-	-	-	-	-	105
111	20.9	-	-	15.4	-	-	11.0	-	-	7.2	-	-	111
118	20.9	-	-	15.4	-	-	11.0	-	-	7.2	-	4.4	118
124	20.9	-	-	15.4	-	-	11.0	-	-	7.2	-	4.4	124
131	20.9	-	-	15.4	-	-	11.0	-	-	7.2	-	4.4	131
138	20.9	-	-	15.4	-	-	11.0	-	-	7.2	-	4.4	138
144	20.9	-	-	15.4	-	-	11.0	-	-	7.2	-	4.4	144
151	20.9	-	-	15.4	-	-	11.0	-	-	7.2	-	4.4	151
157	20.9	-	-	15.4	-	-	11.0	-	-	7.2	-	4.4	157
164	20.9	19.4	-	15.4	-	-	11.0	-	-	7.2	-	4.4	164
177	20.9	17.6	-	15.4	13.6	-	11.0	-	-	7.2	-	4.4	177
190	20.9	16.3	-	15.4	12.3	-	11.0	10.3	-	7.2	-	4.4	190
203	20.9	15.0	-	15.4	11.2	-	11.0	9.5	-	7.2	-	4.4	203
216	-	13.9	10.1	15.4	10.1	-	11.0	8.8	-	7.2	-	4.4	216
229	-	13.2	8.8	15.4	9.0	-	11.0	8.3	-	7.2	-	4.4	229
243	-	12.5	7.9	-	8.1	-	11.0	7.7	-	7.2	-	4.4	243
256	-	-	7.2	-	7.4	-	-	7.2	-	7.2	-	4.4	256
269	-	-	6.6	-	-	-	-	6.8	-	7.2	-	4.4	269
282	-	-	-	-	-	-	-	6.6	-	-	-	4.4	282

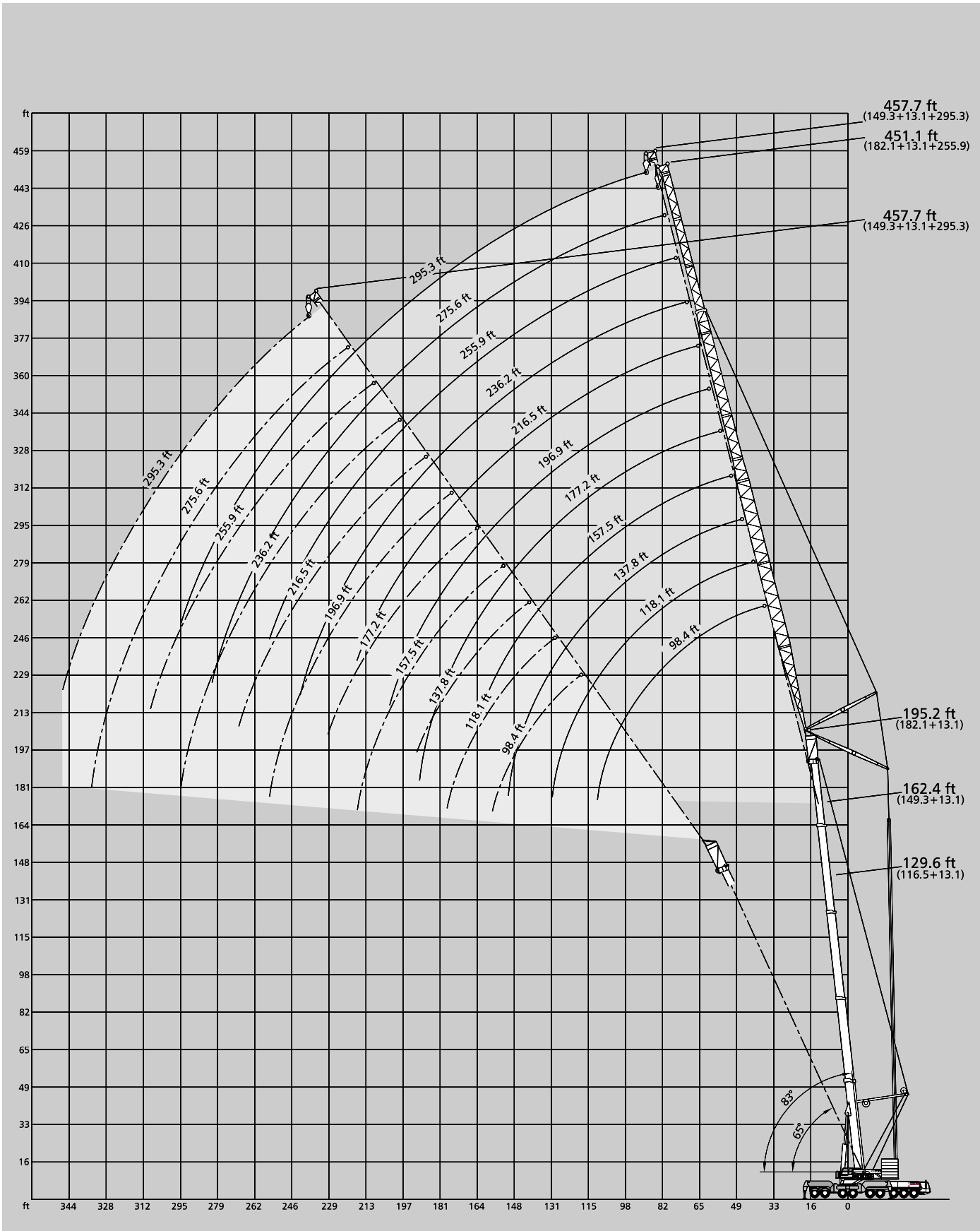
## Remarks

Counterweight    132,300 lb    176,400 lb    220,500 lb    264,600 lb    308,700 lb    352,800 lb

Max. capacities with minimum counterweight

Further counterweight configurations on request

# Working ranges luffing fly jib with SSL, main boom 83° to 65°



# Lifting capacities luffing fly jib with SSL, main boom 83°-65°



360°

DIN/ISO

116.5 ft + 13.1 ft Main boom + adapter																			
Radius ft	Fly jib														Radius ft				
	98.4 ft			118.1 ft			137.8 ft			157.5 ft			177.2 ft			196.9 ft			
	83°**	73°*	65°*	83°**	73°*	65°*	83°**	73°*	65°*	83°**	73°*	65°*	83°**	73°*		65°*	83°**	73°*	65°*
	1,000 lb																		
52	-	-	-	-	-	-	-	-	-	-	-	-	-	-	-	-	-	-	52
59	202.8	-	-	-	-	-	-	-	-	-	-	-	-	-	-	-	-	-	59
65	194.8	-	-	174.1	-	-	146.6	-	-	-	-	-	-	-	-	-	-	-	65
72	182.2	-	-	170.9	-	-	146.6	-	-	129.0	-	-	-	-	-	-	-	-	72
79	171.5	-	-	163.9	-	-	146.5	-	-	126.5	-	-	-	-	107.9	-	-	-	79
85	161.4	-	-	156.9	-	-	144.5	-	-	123.5	-	-	-	105.9	-	-	-	89.2	85
92	151.9	136.5	-	148.6	-	-	139.8	-	-	121.1	-	-	-	103.5	-	-	-	88.1	92
98	143.8	132.5	-	140.5	114.7	-	134.8	-	-	118.1	-	-	-	101.5	-	-	-	86.1	98
105	133.3	126.7	-	133.3	112.4	-	128.9	99.2	-	115.7	-	-	-	100.3	-	-	-	84.8	105
111	-	120.7	-	126.3	109.4	-	123.9	98.1	-	112.7	-	-	-	98.2	-	-	-	83.8	111
118	-	113.6	104.8	118.0	105.8	-	118.0	98.1	-	109.1	78.2	-	-	95.9	-	-	-	82.6	118
124	-	106.6	98.7	102.1	102.8	-	113.0	97.1	-	107.1	78.2	-	-	93.9	66.1	-	-	81.6	124
131	-	-	92.7	-	97.1	91.6	106.0	95.9	-	102.6	78.2	-	-	92.6	66.1	-	-	79.4	131
138	-	-	88.0	-	92.4	85.8	93.2	91.3	83.6	99.0	78.2	-	-	90.2	66.1	-	-	78.2	138
144	-	-	84.0	-	87.3	81.8	80.1	87.3	79.6	94.0	77.2	-	-	87.2	66.1	-	-	77.2	144
151	-	-	-	-	-	77.1	-	82.6	74.9	83.6	76.0	72.7	-	84.8	66.1	-	-	76.0	151
157	-	-	-	-	-	74.1	-	78.5	71.8	74.5	74.0	69.6	-	80.7	65.5	-	-	74.0	157
164	-	-	-	-	-	70.5	-	74.9	68.3	63.5	70.5	66.1	64.3	71.7	65.0	64.3	-	71.6	164
177	-	-	-	-	-	-	-	-	62.6	-	65.9	60.2	56.8	56.8	61.5	58.5	-	67.2	177
190	-	-	-	-	-	-	-	-	-	-	-	55.2	-	57.8	53.2	-	-	55.1	190
203	-	-	-	-	-	-	-	-	-	-	-	50.4	-	54.3	48.8	-	-	42.0	203
216	-	-	-	-	-	-	-	-	-	-	-	-	-	-	44.9	-	-	49.9	216
229	-	-	-	-	-	-	-	-	-	-	-	-	-	-	-	-	-	40.9	229
243	-	-	-	-	-	-	-	-	-	-	-	-	-	-	-	-	-	37.6	243
256	-	-	-	-	-	-	-	-	-	-	-	-	-	-	-	-	-	-	256

ft	216.5 ft			236.2 ft			255.9 ft			275.6 ft			295.3 ft			315.0 ft			ft
	1,000 lb																		
92	70.5	-	-	61.2	-	-	-	-	-	-	-	-	-	-	-	-	-	-	92
98	69.5	-	-	60.2	-	-	50.3	-	-	-	-	-	-	-	-	-	-	-	98
105	68.3	-	-	59.3	-	-	49.3	-	-	39.6	-	-	-	-	-	-	-	-	105
111	67.3	-	-	58.2	-	-	48.5	-	-	39.0	-	-	31.1	-	-	-	-	-	111
118	66.1	-	-	57.3	-	-	47.6	-	-	38.1	-	-	30.4	-	-	-	24.6	-	118
124	65.9	-	-	56.3	-	-	46.8	-	-	37.5	-	-	30.0	-	-	-	24.2	-	124
131	65.2	-	-	55.5	-	-	45.8	-	-	36.6	-	-	29.3	-	-	-	23.8	-	131
138	64.3	46.2	-	54.6	-	-	44.7	-	-	35.9	-	-	28.8	-	-	-	23.1	-	138
144	63.7	46.2	-	54.0	-	-	44.3	-	-	35.1	-	-	28.2	-	-	-	22.7	-	144
151	62.8	46.2	-	53.5	40.7	-	43.6	-	-	34.3	-	-	27.5	-	-	-	22.2	-	151
157	62.2	46.2	-	52.9	40.7	-	43.2	35.2	-	33.7	-	-	27.1	-	-	-	21.6	-	157
164	61.5	46.2	-	52.2	40.7	-	42.5	35.2	-	33.0	-	-	26.4	-	-	-	21.1	-	164
177	59.5	46.2	-	50.9	40.7	-	41.6	35.2	-	31.9	28.6	-	25.3	23.1	-	-	20.2	-	177
190	57.8	46.0	46.2	49.4	40.7	-	40.3	35.2	-	30.6	28.6	-	24.2	22.9	-	-	19.2	-	190
203	48.7	45.0	46.2	47.6	40.5	40.7	39.0	35.2	-	29.5	28.6	-	22.9	22.7	-	-	18.3	-	203
216	38.7	44.1	42.4	42.9	39.7	40.3	37.7	35.0	35.2	28.4	28.6	28.6	22.0	22.4	-	-	17.4	-	216
229	-	43.2	38.7	34.8	38.8	36.7	36.2	34.6	35.2	27.3	28.4	28.0	21.2	22.2	23.1	-	16.5	-	229
243	-	40.5	35.2	25.2	37.8	33.2	31.1	33.9	33.6	26.0	27.7	27.3	20.2	22.0	22.4	15.8	-	-	243
256	-	-	32.3	-	35.9	30.4	24.2	33.2	30.6	25.3	26.8	26.6	19.3	21.3	21.8	15.2	-	-	256
269	-	-	-	-	-	27.7	-	32.6	28.0	22.4	26.2	26.2	18.7	20.9	21.1	14.5	-	-	269
282	-	-	-	-	-	-	-	28.4	25.8	16.1	25.3	25.3	18.0	20.2	20.7	13.8	-	-	282
295	-	-	-	-	-	-	-	-	23.8	-	24.7	23.1	15.0	19.8	20.2	13.4	-	-	295
308	-	-	-	-	-	-	-	-	-	-	-	21.4	-	19.2	19.8	13.0	-	-	308
321	-	-	-	-	-	-	-	-	-	-	-	-	-	18.7	19.4	8.7	-	-	321
334	-	-	-	-	-	-	-	-	-	-	-	-	-	-	18.3	-	-	-	334

**Remarks**

\* SSL 0°

\*\* SSL 60°

Counterweight    132,300 lb    176,400 lb    220,500 lb    264,600 lb    308,700 lb    352,800 lb

Max. capacities with minimum counterweight

Further counterweight configurations on request





360°

DIN/ISO

149.3 ft + 13.1 ft Main boom + adapter

Radius ft	Fly jib																		Radius ft
	98.4 ft			118.1 ft			137.8 ft			157.5 ft			177.2 ft			196.9 ft			
	83°**	73°*	65°*	83°**	73°*	65°*	83°**	73°*	65°*	83°**	73°*	65°*	83°**	73°*	65°*	83°**	73°*	65°*	
	1,000 lb																		
52	-	-	-	-	-	-	-	-	-	-	-	-	-	-	-	-	-	-	52
59	-	-	-	-	-	-	-	-	-	-	-	-	-	-	-	-	-	-	59
65	146.6	-	-	-	-	-	-	-	-	-	-	-	-	-	-	-	-	-	65
72	139.0	-	-	132.4	-	-	-	-	-	-	-	-	-	-	-	-	-	-	72
79	130.8	-	-	124.3	-	-	118.7	-	-	-	-	-	-	-	-	-	-	-	79
85	123.7	-	-	118.2	-	-	112.7	-	-	104.9	-	-	93.8	-	-	-	-	-	85
92	116.7	-	-	112.3	-	-	106.8	-	-	100.2	-	-	90.3	-	-	76.0	-	-	92
98	110.6	98.3	-	107.2	-	-	102.8	-	-	96.1	-	-	87.2	-	-	75.0	-	-	98
105	103.6	94.7	-	101.4	-	-	98.0	-	-	91.4	-	-	84.8	-	-	73.8	-	-	105
111	97.5	91.7	-	96.3	78.2	-	94.0	-	-	88.4	-	-	81.8	-	-	72.8	-	-	111
118	-	88.2	-	90.4	77.1	-	89.3	65.9	-	84.9	-	-	79.4	-	-	71.6	-	-	118
124	-	84.2	-	85.4	76.1	-	85.3	65.7	-	81.9	57.3	-	76.4	-	-	70.6	-	-	124
131	-	79.5	76.1	79.5	73.9	-	80.6	65.2	-	78.3	57.3	-	73.9	-	-	68.4	-	-	131
138	-	74.8	73.7	-	71.5	-	76.9	64.9	-	74.8	57.3	-	71.5	50.7	-	67.1	-	-	138
144	-	-	70.7	-	68.5	69.5	71.9	63.7	-	71.8	57.3	-	68.5	50.7	-	65.7	39.9	-	144
151	-	-	67.2	-	65.2	67.2	67.1	62.3	-	68.3	57.3	-	66.1	50.7	-	63.9	39.9	-	151
157	-	-	64.9	-	62.1	64.7	-	60.1	62.9	65.0	56.5	-	63.8	50.7	-	62.0	39.9	-	157
164	-	-	-	-	-	61.9	-	57.3	60.6	61.3	55.3	-	61.0	50.7	-	59.9	39.9	-	164
177	-	-	-	-	-	56.2	-	52.5	56.0	-	50.7	53.1	55.6	49.1	50.5	55.1	39.9	-	177
190	-	-	-	-	-	-	-	51.2	-	45.9	48.3	43.9	45.7	47.4	50.5	39.2	39.9	-	190
203	-	-	-	-	-	-	-	-	-	-	44.4	-	42.2	44.4	45.5	37.5	39.4	-	203
216	-	-	-	-	-	-	-	-	-	-	40.5	-	38.5	40.7	-	35.9	38.8	-	216
229	-	-	-	-	-	-	-	-	-	-	-	-	37.4	-	34.2	36.9	-	-	229
243	-	-	-	-	-	-	-	-	-	-	-	-	-	-	-	33.9	-	-	243
256	-	-	-	-	-	-	-	-	-	-	-	-	-	-	-	31.2	-	-	256

ft	1,000 lb																		ft
	216.5 ft			236.2 ft			255.9 ft			275.6 ft			295.3 ft			315.0 ft			
85	-	-	-	-	-	-	-	-	-	-	-	-	-	-	-	-	-	-	85
92	-	-	-	-	-	-	-	-	-	-	-	-	-	-	-	-	-	-	92
98	63.0	-	-	-	-	-	-	-	-	-	-	-	-	-	-	-	-	-	98
105	62.6	-	-	52.9	-	-	-	-	-	-	-	-	-	-	-	-	-	-	105
111	62.4	-	-	52.7	-	-	43.2	-	-	-	-	-	-	-	-	-	-	-	111
118	61.9	-	-	52.2	-	-	42.9	-	-	35.0	-	-	27.5	-	-	-	-	-	118
124	61.5	-	-	52.0	-	-	42.5	-	-	34.6	-	-	27.1	-	-	21.4	-	-	124
131	60.8	-	-	51.8	-	-	42.3	-	-	34.1	-	-	26.9	-	-	21.1	-	-	131
138	60.3	-	-	51.3	-	-	42.1	-	-	33.9	-	-	26.6	-	-	20.9	-	-	138
144	59.3	-	-	51.1	-	-	41.8	-	-	33.5	-	-	26.4	-	-	20.7	-	-	144
151	58.4	32.4	-	50.7	-	-	41.4	-	-	33.0	-	-	26.2	-	-	20.5	-	-	151
157	57.4	32.4	-	50.2	-	-	41.2	-	-	32.6	-	-	26.0	-	-	20.5	-	-	157
164	56.4	32.4	-	49.8	25.3	-	40.7	-	-	32.1	-	-	25.7	-	-	20.2	-	-	164
177	53.8	32.4	-	48.9	25.3	-	40.1	20.5	-	31.3	14.3	-	24.9	-	-	19.8	-	-	177
190	49.6	32.4	-	47.2	25.3	-	39.2	20.5	-	30.2	14.3	-	24.0	9.9	-	19.1	-	-	190
203	45.5	32.1	32.4	43.7	25.3	-	38.3	20.5	-	29.3	14.3	-	22.9	9.9	-	18.3	-	-	203
216	40.9	31.7	32.4	40.2	25.3	25.3	36.8	20.5	-	28.2	14.3	-	22.0	9.9	-	17.4	-	-	216
229	29.9	31.3	32.4	36.5	25.3	25.3	35.3	20.5	19.8	27.3	14.3	-	21.2	9.9	-	16.5	-	-	229
243	-	30.8	31.2	27.4	25.3	25.3	32.5	20.5	19.8	26.2	14.3	14.3	20.2	9.9	-	15.8	-	-	243
256	-	30.1	28.8	-	25.3	24.9	25.5	20.5	19.8	25.3	14.3	14.3	19.6	9.9	9.9	15.2	-	-	256
269	-	-	26.4	-	25.3	24.4	17.6	20.5	19.8	23.3	14.3	14.3	18.7	9.9	9.9	14.5	-	-	269
282	-	-	-	-	-	22.2	-	20.5	19.8	17.2	14.3	14.3	18.0	9.9	9.9	13.8	-	-	282
295	-	-	-	-	-	20.5	-	20.5	19.8	-	14.3	14.3	15.7	9.9	9.9	13.4	-	-	295
308	-	-	-	-	-	-	-	-	18.9	-	14.3	14.3	10.1	9.9	9.9	13.0	-	-	308
321	-	-	-	-	-	-	-	-	-	-	-	14.3	-	9.9	9.9	9.2	-	-	321
334	-	-	-	-	-	-	-	-	-	-	-	14.3	-	-	9.9	-	-	-	334
348	-	-	-	-	-	-	-	-	-	-	-	-	-	-	9.9	-	-	-	348

Remarks

\* SSL 0°

\*\* SSL 60°

Counterweight 132,300 lb 176,400 lb 220,500 lb 264,600 lb 308,700 lb 352,800 lb

Max. capacities with minimum counterweight

Further counterweight configurations on request

# Lifting capacities luffing fly jib with SSL, main boom 83°-65°



360°

DIN/ISO

182.1 ft + 13.1 ft Main boom + adapter

Radius ft	Fly jib															Radius ft			
	98.4 ft			118.1 ft			137.8 ft			157.5 ft			177.2 ft				196.9 ft		
	83°**	73°*	65°*	83°**	73°*	65°*	83°**	73°*	65°*	83°**	73°*	65°*	83°**	73°*	65°*		83°**	73°*	65°*
	1,000 lb																		
72	87.2	-	-	-	-	-	-	-	-	-	-	-	-	-	-	-	-	-	72
79	81.3	-	-	76.9	-	-	-	-	-	-	-	-	-	-	-	-	-	-	79
85	77.3	-	-	72.9	-	-	69.6	-	-	-	-	-	-	-	-	-	-	-	85
92	73.7	-	-	68.2	-	-	66.0	-	-	62.0	-	-	-	-	-	-	-	-	92
98	69.7	-	-	66.0	-	-	63.0	-	-	59.0	-	-	53.2	-	-	48.3	-	-	98
105	67.2	-	-	63.2	-	-	60.1	-	-	55.7	-	-	50.9	-	-	46.7	-	-	105
111	65.8	53.8	-	60.8	-	-	57.5	-	-	52.9	-	-	48.7	-	-	45.1	-	-	111
118	-	53.1	-	59.1	41.8	-	55.1	-	-	50.7	-	-	46.5	-	-	43.2	-	-	118
124	-	52.5	-	57.6	41.8	-	52.9	-	-	49.1	-	-	44.5	-	-	41.6	-	-	124
131	-	50.9	-	56.4	41.8	-	51.4	34.6	-	47.0	-	-	42.8	-	-	39.9	-	-	131
138	-	49.0	-	-	41.8	-	50.0	34.6	-	44.9	30.8	-	41.1	-	-	38.5	-	-	138
144	-	47.0	-	-	41.2	-	49.0	34.6	-	43.9	30.4	-	39.7	-	-	37.3	-	-	144
151	-	-	44.9	-	40.5	-	47.6	34.6	-	42.9	30.1	-	38.1	25.3	-	35.9	-	-	151
157	-	-	43.3	-	39.3	-	-	34.2	-	41.9	29.7	-	37.3	25.3	-	34.7	19.4	-	157
164	-	-	41.2	-	38.1	38.3	-	33.7	-	41.0	29.5	-	36.3	25.3	-	33.5	19.4	-	164
177	-	-	-	-	-	35.5	-	32.4	32.6	-	28.6	-	34.8	25.3	-	31.7	19.4	-	177
190	-	-	-	-	-	32.6	-	-	30.9	-	27.5	27.8	33.5	24.9	-	30.0	19.4	-	190
203	-	-	-	-	-	-	-	-	28.7	-	26.2	26.2	-	24.0	24.0	28.4	19.4	-	203
216	-	-	-	-	-	-	-	-	-	-	-	24.5	-	23.1	22.5	-	19.4	19.4	216
229	-	-	-	-	-	-	-	-	-	-	-	22.5	-	-	21.0	-	19.4	19.4	229
243	-	-	-	-	-	-	-	-	-	-	-	-	-	-	19.3	-	19.4	18.7	243
256	-	-	-	-	-	-	-	-	-	-	-	-	-	-	-	-	-	17.4	256
269	-	-	-	-	-	-	-	-	-	-	-	-	-	-	-	-	-	16.0	269

ft	216.5 ft		236.2 ft		255.9 ft		275.6 ft		295.3 ft		315.0 ft		ft
	1,000 lb												
98	-	-	-	-	-	-	-	-	-	-	-	-	98
105	41.2	-	-	-	-	-	-	-	-	-	-	-	105
111	40.0	-	-	35.1	-	-	-	-	-	-	-	-	111
118	38.3	-	-	33.9	-	30.2	-	-	-	-	-	-	118
124	37.1	-	-	32.7	-	29.4	-	24.0	-	-	-	-	124
131	35.5	-	-	31.5	-	28.4	-	23.6	-	17.8	-	-	131
138	34.1	-	-	30.3	-	27.3	-	22.9	-	17.8	-	-	138
144	33.1	-	-	29.1	-	26.5	-	22.5	-	17.6	-	-	144
151	31.9	-	-	27.9	-	25.5	-	22.0	-	17.4	-	-	151
157	31.1	-	-	27.3	-	24.7	-	21.6	-	17.4	-	-	157
164	29.9	14.3	-	26.4	-	24.0	-	20.9	-	17.1	-	-	164
177	28.2	14.3	-	25.1	11.0	22.7	-	20.2	-	16.9	-	-	177
190	26.9	14.3	-	23.6	11.0	21.4	7.2	19.4	-	16.5	-	-	190
203	25.6	14.3	-	22.5	11.0	20.3	7.2	18.5	-	16.1	-	-	203
216	24.5	14.3	14.3	21.4	11.0	19.4	7.2	17.8	-	15.4	-	-	216
229	23.0	14.3	13.9	20.3	11.0	18.3	7.2	17.0	-	15.0	-	-	229
243	-	14.3	13.4	19.1	11.0	17.4	7.2	16.0	-	14.3	-	-	243
256	-	14.3	13.0	-	11.0	16.5	7.2	15.2	-	13.6	-	-	256
269	-	-	12.3	-	11.0	15.6	7.2	14.5	-	12.7	-	-	269
282	-	-	11.6	-	11.0	14.5	7.2	13.6	-	12.1	-	-	282
295	-	-	-	-	-	13.6	7.2	12.7	-	11.4	-	-	295
308	-	-	-	-	-	12.7	7.2	11.8	-	10.8	-	-	308
321	-	-	-	-	-	11.8	6.8	11.0	-	10.0	-	-	321

**Remarks**

\* SSL 0°  
 \*\* SSL 60°

Counterweight    132,300 lb    176,400 lb    220,500 lb    264,600 lb    308,700 lb    352,800 lb

Max. capacities with minimum counterweight  
 Further counterweight configurations on request

# Technical description

## Carrier

<b>Drive / steering</b>	18 x 8 x 16.
<b>Frame</b>	Demag-built special main frame of high-strength fine-grain structural steel, with pot-shaped centre section to accommodate the outrigger beams.
<b>Outriggers</b>	4-point outrigger system, folding outrigger beams, fully hydraulic horizontal and vertical extension, providing 360° continuous rotation. Outrigger loading indicator.
<b>Engine</b>	Water-cooled 8-cylinder DaimlerChrysler diesel engine OM 502 LA, output 420 kW (571 hp) at 1800 1/min, torque 2700 Nm at 1100 1/min. Fuel tank capacity: 171.700 gallons.
<b>Transmission</b>	Allison type CLBT 755 with electronic transmission control (ATEC), torque converter and hydraulic retarder. Dual-range transfer case with differential lockout control.
<b>Axles</b>	3 + 4, 8 + 9 driving, 1-5 and 7-9 steering, all axles hydropneumatically suspended and hydraulically blockable.
<b>Wheels and tyres</b>	18 wheels, 14.00-R 25.
<b>Steering</b>	Dual-circuit semiblock mechanical steering with hydraulic booster.
<b>Brakes</b>	In conformity with EC-directives. Sustained action brake: constant decompression valve, exhaust brake, hydr. retarder integrated into gearbox.
<b>Electrical equipment</b>	24 V system, lighting in compliance with German StVZO.
<b>Driver's cab</b>	Rubber-mounted low-line steel cab, ergonomic design, with pneumatically suspended driver's seat and one passenger's seat; vertically adjustable steering wheel; heated outside mirrors, right-hand mirror electrically adjustable; dashboard with clearly arranged instrumentation and carrier controls.

## Superstructure

<b>Engine</b>	Water-cooled 6-cylinder DaimlerChrysler diesel engine OM 906 LA, output: 205 kW (279 hp) at 2300 1/min, torque 1100 Nm at 1300 1/min. Fuel tank capacity: 79.300 gallons.
<b>Hydraulic system</b>	Powered via five hydraulic circuits, three main pumps for independent control movements, one pump for auxiliary circuits, one control pump for the servo control.
<b>Hoist I</b>	Axial-piston variable displacement motor, hoist drum with integrated planetary gear reducer, and brake.
<b>Slew unit</b>	Axial piston motor with planetary gearing, foot-operated brake, and spring-applied holding brake.
<b>Boom elevation</b>	Two differential cylinders with pilot-controlled lowering brake valves.
<b>Control</b>	Electrical pilot-control by two self-centering servo levers.
<b>Crane cab</b>	Spacious all-steel comfortable cab (tiltable) with sliding door and large hinged windscreen, roof window with armoured glass, full instrumentation and crane controls, comfortable seat with ergonomic armrest mounted joystick controls, working light. Self-contained hot water heater with timer and 'Heizmatic' for sensitive heat flow control. Intermittent control window wiper and washer, air-conditioning.
<b>Main boom</b>	Boom base and four telescopic sections fabricated from fine grain structural steel, telescoping with partial load. Buckling-resistant Demag ovaloid design with diagonally arranged self-centering slider shoes.
<b>Counterweight</b>	220,500 lb, divisible.
<b>Safety devices</b>	Electronic safe load indicator with large graphic display and sealed touch-type keyboard, digital read-out for hook load, nominal load, boom length, angle, and radius. Analog display to indicate the capacity utilization, and monitoring code to assist in trouble shooting. Integrated guide system for boom telescoping, display for load charts, display and calculation of outrigger loadings. Other features include: limit switches on hoist and lowering motions, pressure relief and safety holding valves, hoist rotation indicator and anemometer.

## Optional equipment

<b>Superlift attachment</b>	This attachment used to increase the crane's load moment consists of both the boom suspension system folding out, as required, at 0°, 30° or 60°. The boom suspension system provides for an automatic rope length adjustment for boom telescoping, and is lowered to the main boom when not needed (axle loads to be observed).
<b>Main boom extension</b>	Lattice extension consisting of components of the 315.0 ft luffing jib, 19.7 – 118.1 ft long, 0°, 20° and 40° offset.
<b>Fixed jib</b>	Fixed lattice jib, comprising of parts of the luffing jib, 65.6 – 164.0 ft long (LF-system).
<b>Luffing jib</b>	78.7 – 315.0 ft, plus 13.1 ft adapter, with two luffing masts, pendant bars, electrical equipment, safety devices (hoist II is required when using the luffing jib).
<b>Additional counterweight</b>	132,300 lb, integrated into the standard counterweight, installed by the crane itself.
<b>Additional jack leg</b>	For special duties with 50.9 ft main boom.
<b>Hoist II</b>	Axial piston variable displacement motor, hoist drum with integrated planetary reduction, spring-applied multi-disk brake, hoist rope.
<b>Independent rear axle steering</b>	

# Overview of standard duty charts

## 40.0 x 39.4 ft

## 29.6 x 27.7 ft

### Main boom

Main boom	Main boom							
	0 klb 360°	88.2 klb 360°	132.3 klb 360°	176.4 klb 360°	220.5 klb 360°	264.6 klb 360°	308.7 klb 360°	352.8 klb 360°
50.9 ft	x	x	x	x	x	x	x	x
67.3 ft	x	x	x	x	x	x	x	x
83.7 ft	x	x	x	x	x	x	x	x
100.0 ft	x	x	x	x	x	x	x	-
116.5 ft	x	x	x	x	x/+SSL	x/+SSL	x/+SSL	+SSL
132.9 ft	x	x	x	x	x/+SSL	x/+SSL	x/+SSL	+SSL
149.3 ft	x	x	x	x	x/+SSL	x/+SSL	x/+SSL	+SSL
165.7 ft	x	x	x	x	x/+SSL	x/+SSL	x/+SSL	+SSL
182.1 ft	x	x	x	x	x/+SSL	x/+SSL	x/+SSL	+SSL
196.9 ft	x	x	x	x	x/+SSL	x/+SSL	x/+SSL	+SSL

Main boom	Main boom							
	0 klb 360°	88.2 klb 360°	132.3 klb 360°	176.4 klb 360°	220.5 klb 360°	264.6 klb 360°	308.7 klb 360°	352.8 klb 360°
50.9 ft	x	x	x	x	x	x	x	x
67.3 ft	x	x	x	x	x	x	x	x
83.7 ft	x	x	x	x	x	x	x	x
100.0 ft	x	x	x	x	x	x	x	-
116.5 ft	x	x	x	x	x	x	x	-
132.9 ft	x	x	x	x	x	x	x	-
149.3 ft	x	x	x	x	x	x	x	-
165.7 ft	x	x	x	x	x	x	x	-
182.1 ft	x	x	x	x	x	x	x	-
196.9 ft	x	x	x	x	x	x	x	-

## 40.0 x 39.4 ft

## 29.6 x 27.7 ft

### Lattice extension

Main boom	Extension	Main boom							
		88.2 klb	132.3 klb	176.4 klb	220.5 klb	264.6 klb	308.7 klb	352.8 klb	
196.9 ft	19.7 ft - 0°	SSL 0°	x	x	x	x/+SSL	+SSL	+SSL	+SSL
	39.3 ft - 0°	SSL 0°	x	x	x	x/+SSL	+SSL	+SSL	+SSL
	59.0 ft - 0°	SSL 0°	x	x	x	x/+SSL	+SSL	+SSL	+SSL
	78.7 ft - 0°	SSL 30°	x	x	x	x/+SSL	+SSL	+SSL	+SSL
	98.4 ft - 0°	SSL 30°	x	x	x	x/+SSL	+SSL	+SSL	+SSL
	118.1 ft - 0°	SSL 30°	x	x	x	x/+SSL	+SSL	+SSL	+SSL
	39.3 ft - 20°	SSL 0°	x	x	x	x/+SSL	+SSL	+SSL	+SSL
	59.0 ft - 20°	SSL 0°	x	x	x	x/+SSL	+SSL	+SSL	+SSL
	78.7 ft - 20°		x	x	x	-	-	-	-
	98.4 ft - 20°		x	x	x	-	-	-	-
	118.1 ft - 20°		x	x	x	-	-	-	-
	39.3 ft - 40°	SSL 0°	x	x	x	+SSL	+SSL	-	-
	59.0 ft - 40°	SSL 0°	x	x	x	+SSL	+SSL	-	-
	78.7 ft - 40°		x	x	x	-	-	-	-
	98.4 ft - 40°		x	x	x	-	-	-	-
	118.1 ft - 40°		x	x	x	-	-	-	-

Main boom	Extension	Main boom							
		88.2 klb	132.3 klb	176.4 klb	220.5 klb	264.6 klb	308.7 klb	352.8 klb	
196.9 ft	19.7 ft - 0°	x	x	x	x	x	x	x	x
	39.3 ft - 0°/20°	x	x	x	x	x	x	x	x
	59.0 ft - 0°/20°	x	x	x	x	x	x	x	x
	78.7 ft - 0°/20°	x	x	x	x	x	x	x	x
	98.4 ft - 0°/20°	x	x	x	x	x	x	x	x
	118.1 ft - 0°/20°	x	x	x	x	x	x	x	x
	39.3 ft - 40°	x	x	x	x	x	x	x	x
	59.0 ft - 40°	x	x	x	x	x	x	x	x
	78.7 ft - 40°	x	x	x	x	x	x	x	x
	98.4 ft - 40°	x	x	x	x	x	x	x	x

\* SSL 0° + 30°

## 40.0 x 39.4 ft

### Fixed fly jib

Main boom	Jib	Main boom							
		0 klb	88.2 klb	132.3 klb	176.4 klb	220.5 klb	264.6 klb	308.7 klb	352.8 klb
165.7 ft	65.6 ft - 0°			x	x	x	x		
	65.6 ft - 20°			-	-	-	-		
	65.6 ft - 40°			-	-	-	-		
	85.3 ft - 0°			x	x	x	x		
	85.3 ft - 20°			x	x	x	x		
	85.3 ft - 40°			x	x	x	x		
	105.0 ft - 0°			x	x	x	x		
	105.0 ft - 20°			x	x	x	x		
	105.0 ft - 40°			x	x	x	x		
	124.7 ft - 0°			x	x	x	x		
	124.7 ft - 20°			x	x	x	x		
	124.7 ft - 40°			x	x	x	x		
	144.4 ft - 0°			x	x	x	x		
	144.4 ft - 20°			x	x	x	x		
	144.4 ft - 40°			x	x	x	x		
	164.0 ft - 0°			x	x	x	x		

Jib	Main boom							
	182.1 ft / SSL 0°							
	132.3 klb	176.4 klb	220.5 klb	264.6 klb	308.7 klb	352.8 klb	220.5/264.6/308.7/352.8 klb	
65.6 ft - 0°	x	x	x/+SSL	x/+SSL	+SSL	+SSL	+SSL	
65.6 ft - 20°	-	-	-	-	-	-	-	
65.6 ft - 40°	-	-	-	-	-	-	-	
85.3 ft - 0°	x	x	x/+SSL	x/+SSL	+SSL	+SSL	+SSL	
85.3 ft - 20°	x	x	x/+SSL	x/+SSL	+SSL	-	-	
85.3 ft - 40°	x	x	x/+SSL	+SSL	-	-	-	
105.0 ft - 0°	x	x	x/+SSL	x/+SSL	+SSL	+SSL	+SSL	
105.0 ft - 20°	x	x	x/+SSL	x/+SSL	+SSL	-	-	
105.0 ft - 40°	x	x	x/+SSL	+SSL	-	-	-	
124.7 ft - 0°	x	x	x/+SSL	x/+SSL	+SSL	+SSL	+SSL	
124.7 ft - 20°	x	x	x/+SSL	x/+SSL	+SSL	-	-	
124.7 ft - 40°	x	x	x/+SSL	+SSL	-	-	-	
144.4 ft - 0°	x	x	x/+SSL	x/+SSL	+SSL	+SSL	+SSL	
144.4 ft - 20°	x	x	x/+SSL	x/+SSL	+SSL	-	-	
144.4 ft - 40°	x	x	x/+SSL	+SSL	-	-	-	
164.0 ft - 0°	x	x	x/+SSL	x/+SSL	+SSL	+SSL	+SSL	
164.0 ft - 20°	x	x	x/+SSL	x/+SSL	+SSL	-	-	
164.0 ft - 40°	x	x	x/+SSL	+SSL	-	-	-	

## 29.6 x 27.7 ft

### Luffing fly jib


Main boom	Jib	Main boom							
		0 klb	88.2 klb	132.3 klb	176.4 klb	220.5 klb	264.6 klb	308.7 klb	352.8 klb
50.9 ft + 13.1ft*	78.7 ft	-	-	x	x	x	-	-	-
	98.4 ft	-	-	x	x	x	-	-	-
	118.1 ft	-	-	x	x	x	-	-	-
	137.8 ft	-	-	x	x	x	-	-	-
	157.5 ft	-	-	x	x	x	-	-	-
	177.2 ft	-	-	x	x	x	-	-	-
	196.9 ft	-	-	x	x	x	-	-	-
	216.5 ft	-	-	x	x	x	-	-	-
	236.2 ft	-	-	x	x	x	-	-	-
	255.9 ft	-	-	-	x	x	-	-	-
	275.6 ft	-	-	-	x	x	-	-	-
	295.3 ft	-	-	-	x	x	-	-	-
	315.0 ft	-	-	-	-	x	-	-	-


Main boom	Jib	Main boom							
		0 klb	88.2 klb	132.3 klb	176.4 klb	220.5 klb	264.6 klb	308.7 klb	352.8 klb
165.7 ft + 13.1ft*	78.7 ft	-	-	x	x	x	-	-	-
	98.4 ft	-	-	x	x	x	-	-	-
	118.1 ft	-	-	x	x	x	-	-	-
	137.8 ft	-	-	x	x	x	-	-	-
	157.5 ft	-	-	x	x	x	-	-	-
	177.2 ft	-	-	x	x	x	-	-	-
	196.9 ft	-	-	x	x	x	-	-	-
	216.5 ft	-	-	x	x	x	-	-	-
	236.2 ft	-	-	x	x	x	-	-	-
	255.9 ft	-	-	-	x	x	-	-	-
	275.6 ft	-	-	-	x	x	-	-	-
	295.3 ft	-	-	-	x	x	-	-	-
	315.0 ft	-	-	-	-	x	-	-	-


\* adapter


 40.0 x 39.4 ft


Luffing fly jib

Main boom	Jib								
		0 klb	88.2 klb	132.3 klb	176.4 klb	220.5 klb	264.6 klb	308.7 klb	352.8 klb
83°/73°/65°									
50.9 ft + 13.1 ft* 67.3 ft + 13.1 ft* 83.7 ft + 13.1 ft* 100.0 ft + 13.1 ft*	78.7 ft	-	-	x/-	x/-	x/x/x	x/x/x	x/x/x	x/x/x
	98.4 ft	-	-	x/-	x/-	x/x/x	x/x/x	x/x/x	x/x/x
	118.1 ft	-	-	x/-	x/-	x/x/x	x/x/x	x/x/x	x/x/x
	137.8 ft	-	-	x/-	x/-	x/x/x	x/x/x	x/x/x	x/x/x
	157.5 ft	-	-	x/-	x/-	x/x/x	x/x/x	x/x/x	x/x/x
	177.2 ft	-	-	x/-	x/-	x/x/x	x/x/x	x/x/x	x/x/x
	196.9 ft	-	-	x/-	x/-	x/x/x	x/x/x	x/x/x	x/x/x
	216.5 ft	-	-	x/-	x/-	x/x/x	x/x/x	x/x/x	x/x/x
	236.2 ft	-	-	x/-	x/-	x/x/x	x/x/x	x/x/x	x/x/x
	255.9 ft	-	-	x/-	x/-	x/x/x	x/x/x	x/x/x	x/x/x
	275.6 ft	-	-	x/-	x/-	x/x/x	x/x/x	x/x/x	x/x/x
295.3 ft	-	-	x/-	x/-	x/x/x	x/x/x	x/x/x	x/x/x	
315.0 ft	-	-	x/-	x/-	x/x/x	x/x/x	x/x/x	x/x/x	

Main boom	Jib								
		0 klb	88.2 klb	132.3 klb	176.4 klb	220.5 klb	264.6 klb	308.7 klb	352.8 klb
83°/73°/65°									
165.7 ft + 13.1 ft*	78.7 ft	-	-	x/-	x/-	x/x/x	x/x/x	-	-
	98.4 ft	-	-	x/-	x/-	x/x/x	x/x/x	-	-
	118.1 ft	-	-	x/-	x/-	x/x/x	x/x/x	-	-
	137.8 ft	-	-	x/-	x/-	x/x/x	x/x/x	-	-
	157.5 ft	-	-	x/-	x/-	x/x/x	x/x/x	-	-
	177.2 ft	-	-	x/-	x/-	x/x/x	x/x/x	-	-
	196.9 ft	-	-	x/-	x/-	x/x/x	x/x/x	-	-
	216.5 ft	-	-	x/-	x/-	x/x/x	x/x/x	-	-
	236.2 ft	-	-	x/-	x/-	x/x/x	x/x/x	-	-
	255.9 ft	-	-	x/-	x/-	x/x/x	x/x/x	-	-
	275.6 ft	-	-	x/-	x/-	x/x/x	x/x/x	-	-
295.3 ft	-	-	-	-	-	-	-	-	
315.0 ft	-	-	-	-	-	-	-	-	

Main boom	Jib								
		0 klb	88.2 klb	132.3 klb	176.4 klb	220.5 klb	264.6 klb	308.7 klb	352.8 klb
83°/73°/65°									
132.9 ft + 13.1 ft*	78.7 ft	-	-	x/-	x/-	x/x/x	x/x/x	x/x/x	-
	98.4 ft	-	-	x/-	x/-	x/x/x	x/x/x	x/x/x	-
	118.1 ft	-	-	x/-	x/-	x/x/x	x/x/x	x/x/x	-
	137.8 ft	-	-	x/-	x/-	x/x/x	x/x/x	x/x/x	-
	157.5 ft	-	-	x/-	x/-	x/x/x	x/x/x	x/x/x	-
	177.2 ft	-	-	x/-	x/-	x/x/x	x/x/x	x/x/x	-
	196.9 ft	-	-	x/-	x/-	x/x/x	x/x/x	x/x/x	-
	216.5 ft	-	-	x/-	x/-	x/x/x	x/x/x	x/x/x	-
	236.2 ft	-	-	x/-	x/-	x/x/x	x/x/x	x/x/x	-
	255.9 ft	-	-	x/-	x/-	x/x/x	x/x/x	x/x/x	-
	275.6 ft	-	-	x/-	x/-	x/x/x	x/x/x	x/x/x	-
295.3 ft	-	-	x/-	x/-	x/x/x	x/x/x	x/x/x	-	
315.0 ft	-	-	x/-	x/-	x/x/x	x/x/x	x/x/x	-	

Main boom	Jib								
		0 klb	88.2 klb	132.3 klb	176.4 klb	220.5 klb	264.6 klb	308.7 klb	352.8 klb
83°/73°/65°									
182.1 ft + 13.1 ft*	78.7 ft	-	-	x/-	x/-	x/x/x	-	-	-
	98.4 ft	-	-	x/-	x/-	x/x/x	-	-	-
	118.1 ft	-	-	x/-	x/-	x/x/x	-	-	-
	137.8 ft	-	-	x/-	x/-	x/x/x	-	-	-
	157.5 ft	-	-	x/-	x/-	x/x/x	-	-	-
	177.2 ft	-	-	x/-	x/-	x/x/x	-	-	-
	196.9 ft	-	-	x/-	x/-	x/x/x	-	-	-
	216.5 ft	-	-	x/-	x/-	x/x/x	-	-	-
	236.2 ft	-	-	x/-	x/-	x/x/x	-	-	-
	255.9 ft	-	-	x/-	x/-	x/x/x	-	-	-
	275.6 ft	-	-	x/-	x/-	x/x/x	-	-	-
295.3 ft	-	-	-	-	-	-	-	-	
315.0 ft	-	-	-	-	-	-	-	-	

Main boom	Jib								
		0 klb	88.2 klb	132.3 klb	176.4 klb	220.5 klb	264.6 klb	308.7 klb	352.8 klb
83°/73°/65°									
149.3 ft + 13.1 ft*	78.7 ft	-	-	x/-	x/-	x/x/x	x/x/x	-	-
	98.4 ft	-	-	x/-	x/-	x/x/x	x/x/x	-	-
	118.1 ft	-	-	x/-	x/-	x/x/x	x/x/x	-	-
	137.8 ft	-	-	x/-	x/-	x/x/x	x/x/x	-	-
	157.5 ft	-	-	x/-	x/-	x/x/x	x/x/x	-	-
	177.2 ft	-	-	x/-	x/-	x/x/x	x/x/x	-	-
	196.9 ft	-	-	x/-	x/-	x/x/x	x/x/x	-	-
	216.5 ft	-	-	x/-	x/-	x/x/x	x/x/x	-	-
	236.2 ft	-	-	x/-	x/-	x/x/x	x/x/x	-	-
	255.9 ft	-	-	x/-	x/-	x/x/x	x/x/x	-	-
	275.6 ft	-	-	x/-	x/-	x/x/x	x/x/x	-	-
295.3 ft	-	-	x/-	x/-	x/x/x	x/x/x	-	-	
315.0 ft	-	-	x/-	x/-	x/x/x	x/x/x	-	-	

 40.0 x 39.4 ft

Luffing fly jib + SSL

Jib	Main boom / SSL 0°							
	116.5 ft + 13.1 ft* / 149.3 ft + 13.1 ft*				182.1 ft + 13.1 ft*			
	220.5 klb	264.6 klb	308.7 klb	352.8 klb	220.5 klb	264.6 klb	308.7 klb	352.8 klb
	83°				83°			
	83°/73°/65°							
98.4 ft	x	x	x	x	x	x	x	x
118.1 ft	x	x	x	x	x	x	x	x
137.8 ft	x	x	x	x	x	x	x	x
157.5 ft	x	x	x	x	x	x	x	x
177.2 ft	x	x	x	x	x	x	x	x
196.9 ft	x	x	x	x	x	x	x	x
216.5 ft	x	x	x	x	x	x	x	x
236.2 ft	x	x	x	x	x	x	x	x
255.9 ft	x	x	x	x	x	x	x	x
275.6 ft	x	x	x	x	-	-	-	-
295.3 ft	x	x	x	x	-	-	-	-
315.0 ft	-	-	-	-	-	-	-	-

Jib	Main boom / SSL 60°								
	116.5 ft + 13.1 ft* / 132.9 ft + 13.1 ft* / 149.3 ft + 13.1 ft*				165.7 ft + 13.1 ft* / 182.1 ft + 13.1 ft*				
	176.4 klb	220.5 klb	264.6 klb	308.7 klb	352.8 klb	176.4 klb	220.5 klb	264.6 klb	308.7 klb
	83°								
	83°								
98.4 ft	x	x	x	x	x	x	x	x	x
118.1 ft	x	x	x	x	x	x	x	x	x
137.8 ft	x	x	x	x	x	x	x	x	x
157.5 ft	x	x	x	x	x	x	x	x	x
177.2 ft	x	x	x	x	x	x	x	x	x
196.9 ft	x	x	x	x	x	x	x	x	x
216.5 ft	x	x	x	x	x	x	x	x	x
236.2 ft	x	x	x	x	x	x	x	x	x
255.9 ft	x	x	x	x	x	x	x	x	x
275.6 ft	x	x	x	x	x	x	x	x	x
295.3 ft	x	x	x	x	x	x	x	x	x
315.0 ft	x	x	x	x	x	-	-	-	-

\* adapter

# Key

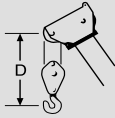


Counterweight



Lifting capacities on outriggers 360°

„D“



SSL: Sideways Superlift

# Notes

---

Lined area for taking notes.

The information contained in this brochure merely consists of general descriptions and a broad compilation of performance features which might not apply precisely as described under specific application conditions or which may change as a result of further product development.  
The desired performance features only become binding once expressly agreed in the final contract.

Subject to change without notice. · Machine operation is subject to computer charts only.

03/03

**Demag Mobile Cranes Inc.**

9871 Highway 78 · Ladson, SC 29456

Telephone: 843-572-9311

Telefax: 843-824-0793

