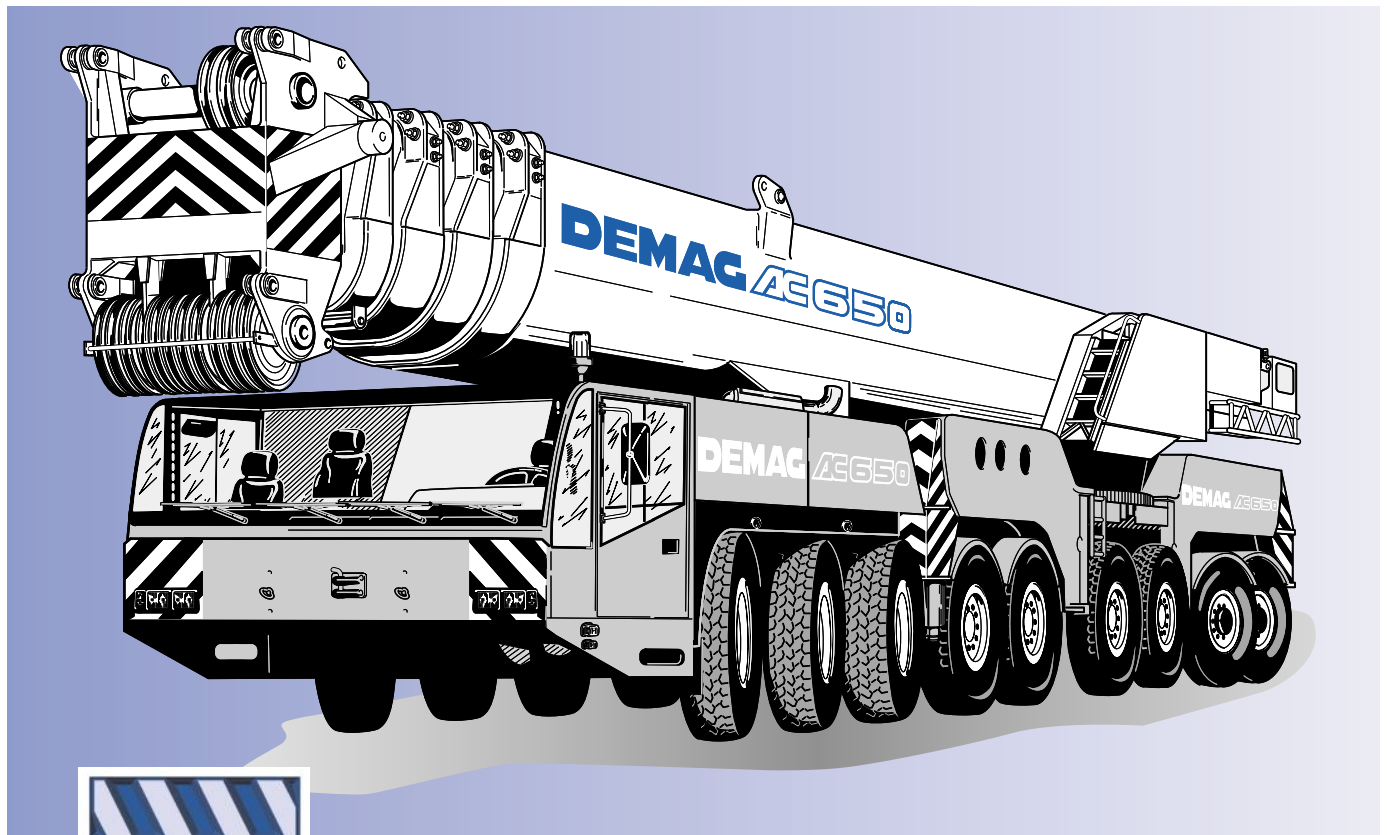


- Key
- Contents
- Dimensions
- Specifications
- Main boom
- Main boom extension
- Fixed fly jib
- Luffing fly jib
- Technical description

Demag AC 650



750t

Mobile cranes in perfection

MAIN MENU

Key

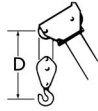


Counterweight



Lifting capacities on outriggers

„D“



SL:

Superlift

MAIN MENU

CONTENTS

Specifications

Dimensions	4
Specifications	6

Main boom

Working ranges	7
Lifting capacities	8
Lifting capacities with Superlift	11

Main boom extension

Working ranges	13
Lifting capacities	14
Lifting capacities with Superlift	15

Fixed fly jib

Lifting capacities	16
Lifting capacities with Superlift	17
Working ranges	18

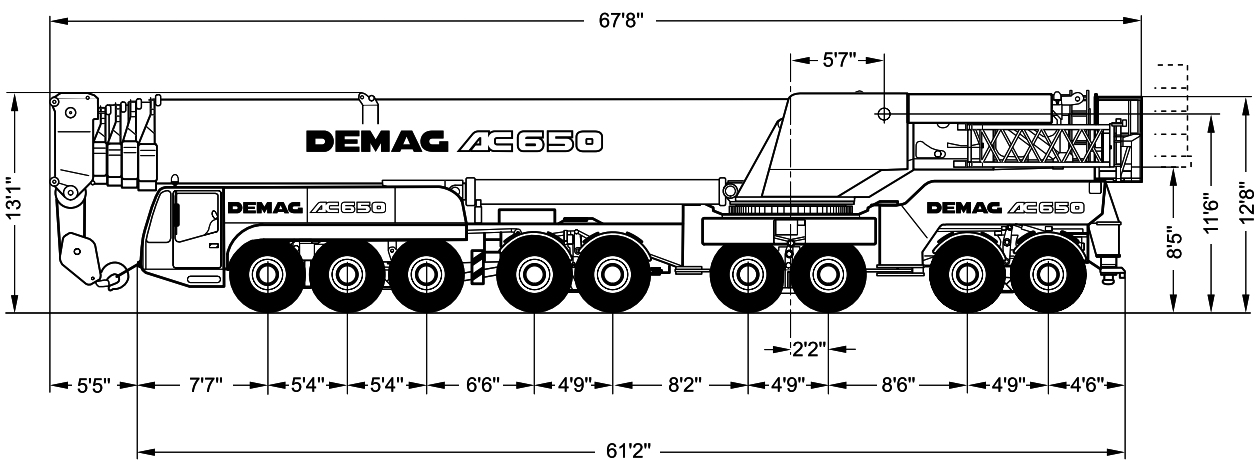
Luffing fly jib

Working ranges	19
Lifting capacities	20
Working ranges with Superlift	29
Lifting capacities with Superlift	30

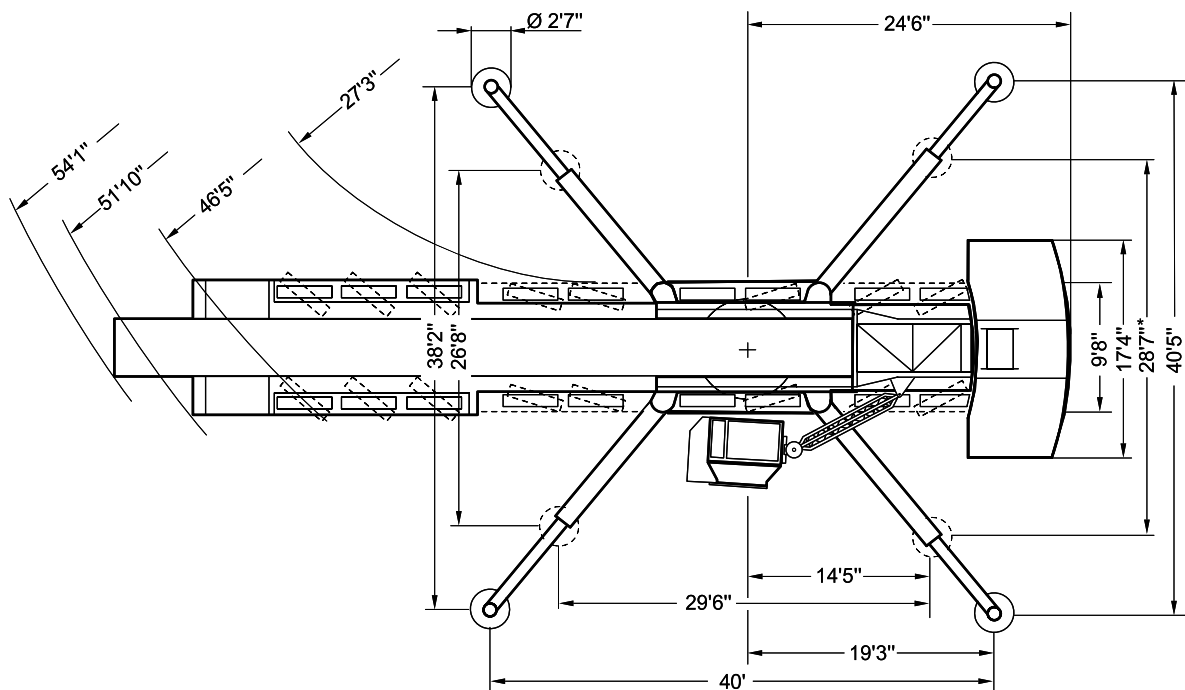
Technical description

Carrier · Superstructure · Optional equipment	34
---	----

Dimensions



Dimensions



*) Duties with reduced outrigger base on request

[MAIN MENU](#)

[CONTENTS](#)

Axle loads and weights

Crane with main boom, rear outriggers and hook block

Axles	9 x 26,500 lb
Total weight	238,500 lb

Working speeds (infinitely variable)

Mechanisms	Line speed	Max. permissible line pull	Rope length
Hoist I	max. 469 ft/min	30,150 lb	1.640 ft
Hoist II	max. 495 ft/min	30,150 lb	2.530 ft
Slewing			max. 1,0 rpm
Telescoping speed			50.9 ft – 196.6 ft: approx. 480 s
Boom elevation			-0.5° – +83°: 120 s

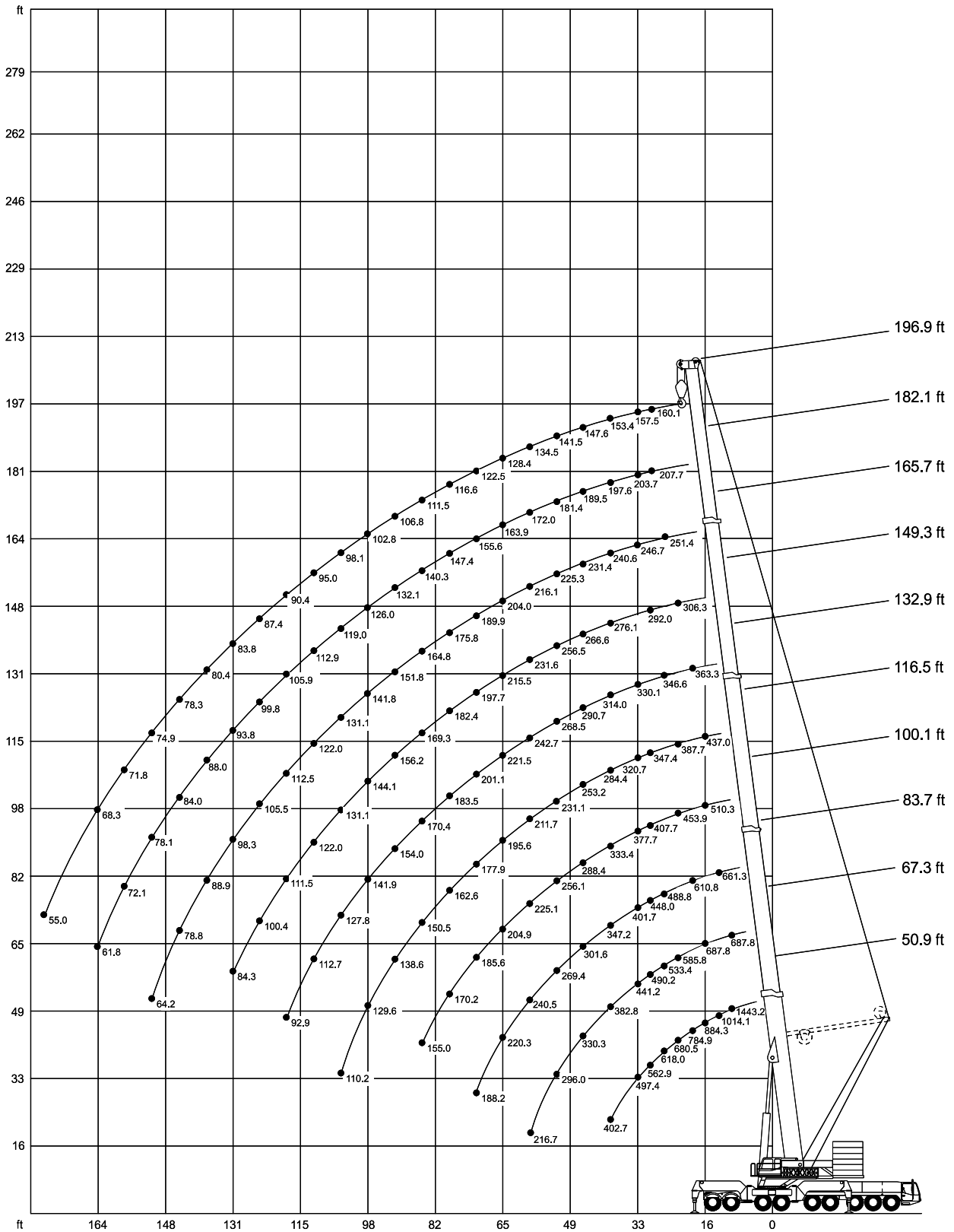
Carrier performance

Travel speed	0 to 39 mph
--------------	-------------

Hook block / Heavy-lift attachment

Type	Possible load	Number of sheaves	Weight	„D“	Max. reeving	Heavy-lift attachment
320	689,000 lb	13	8,800 lb	13 ft	26	2 add. sheaves
250	518,100 lb	9	6,200 lb	13 ft	19	
200	417,000 lb	7	5,700 lb	10 ft	15	
160	311,000 lb	5	4,900 lb	10 ft	11	
100	203,000 lb	3	4,000 lb	10 ft	7	
40	88,200 lb	1	2,700 lb	9 ft	3	
13,5	30,000 lb	Single line hook	1,400 lb	7 ft	1	

Working ranges main boom



Lifting capacities main boom

308,700 lb



360°

DIN/ISO

Radius ft	Main boom												
	50.9 ft*	50.9 ft	67.3 ft*	67.3 ft	83.7 ft*	83.7 ft	100.0 ft	116.5 ft	132.9 ft	149.3 ft	165.7 ft	182.1 ft	196.9 ft
	1,000 lb												
10	1443.2 ¹⁾	-	687.8	-	-	-	-	-	-	-	-	-	-
10	1255.1 ²⁾	687.8	687.8	687.8	-	-	-	-	-	-	-	-	-
11	1147.6 ²⁾	687.8	687.8	687.8	-	-	-	-	-	-	-	-	-
13	1014.1 ²⁾	687.8	687.8	687.8	661.3	661.3	-	-	-	-	-	-	-
15	923.3 ²⁾	685.3	687.8	684.6	661.3	661.3	-	-	-	-	-	-	-
16	884.3 ²⁾	674.5	687.8	671.2	661.3	661.3	510.3	437.0	-	-	-	-	-
19	784.9 ²⁾	614.4	659.9	611.7	610.8	610.8	486.1	416.8	353.8	-	-	-	-
23	680.5	544.0	585.8	539.6	535.2	535.2	453.9	387.7	321.6	271.0	-	-	-
26	618.0	499.7	533.4	497.3	488.8	488.8	431.7	367.6	299.4	256.9	-	-	-
29	562.9	462.7	490.2	458.6	448.0	448.0	407.7	347.4	279.1	244.6	227.0	-	-
33	497.4	419.4	441.2	415.0	401.7	401.7	377.7	320.7	254.7	228.5	211.0	183.5	-
39	402.7	367.0	382.8	364.6	347.2	347.2	333.4	284.4	224.5	205.3	190.8	165.3	144.0
46	-	-	330.3	314.9	301.6	301.6	288.4	253.2	197.0	181.6	168.4	148.6	129.9
52	-	-	296.0	282.6	269.4	269.4	256.1	231.1	176.9	164.5	153.3	136.5	120.9
59	-	-	216.7	206.7	240.5	240.5	225.1	211.7	156.6	146.7	136.8	124.6	110.3
65	-	-	-	-	220.3	220.3	204.9	195.6	142.5	133.6	125.7	116.5	103.2
72	-	-	-	-	188.2	179.6	185.6	177.9	128.2	120.4	113.8	107.1	95.0
79	-	-	-	-	-	-	170.2	162.6	115.3	108.7	104.4	98.9	87.9
85	-	-	-	-	-	-	155.0	150.5	106.2	100.7	97.3	92.9	82.9
92	-	-	-	-	-	-	-	138.6	97.9	91.3	89.1	85.8	77.0
98	-	-	-	-	-	-	-	129.6	90.8	85.3	83.1	80.8	72.0
105	-	-	-	-	-	-	-	110.2	84.8	79.3	77.1	74.9	67.2
111	-	-	-	-	-	-	-	-	78.8	74.3	72.1	69.9	63.8
118	-	-	-	-	-	-	-	-	73.9	68.4	66.2	65.7	59.5
124	-	-	-	-	-	-	-	-	-	65.1	62.7	62.1	56.1
131	-	-	-	-	-	-	-	-	-	60.9	58.5	58.1	52.5
138	-	-	-	-	-	-	-	-	-	56.9	54.5	54.5	49.5
144	-	-	-	-	-	-	-	-	-	-	51.7	51.7	46.8
151	-	-	-	-	-	-	-	-	-	-	48.6	48.6	44.0
157	-	-	-	-	-	-	-	-	-	-	-	46.2	42.0
164	-	-	-	-	-	-	-	-	-	-	-	43.4	39.6
177	-	-	-	-	-	-	-	-	-	-	-	-	35.7

Remarks

- * Central jack leg + 352,800 lb counterweight
- 1) Over rear, special attachment required, on request
- 2) Over rear, heavy-lift attachment required

Lifting capacities main boom

220,500 lb



360°

DIN/ISO

Radius ft	Main boom									
	50.9 ft	67.3 ft	83.7 ft	100.0 ft	116.5 ft	132.9 ft	149.3 ft	165.7 ft	182.1 ft	196.9 ft
	1,000 lb									
10	687.8	687.8	-	-	-	-	-	-	-	-
11	687.8	687.8	-	-	-	-	-	-	-	-
13	687.8	687.8	661.3	-	-	-	-	-	-	-
15	682.7	682.1	659.7	-	-	-	-	-	-	-
16	661.2	657.9	653.0	510.3	437.0	-	-	-	-	-
19	598.5	595.8	596.3	486.1	416.8	353.8	-	-	-	-
23	528.6	524.2	526.4	453.9	387.7	321.6	271.0	-	-	-
26	486.3	481.8	484.1	431.7	367.6	299.4	256.9	-	-	-
29	449.5	446.9	447.3	407.7	347.4	279.1	244.6	227.0	-	-
33	408.4	404.0	401.7	377.7	320.7	254.7	228.5	211.0	183.5	-
39	358.0	353.6	347.2	333.4	284.4	224.5	205.3	190.8	165.3	144.0
46	-	297.1	299.3	288.4	253.2	197.0	181.6	168.4	148.6	129.9
52	-	256.8	259.0	256.1	231.1	176.9	164.5	153.3	136.5	120.9
59	-	206.5	220.7	225.1	211.7	156.6	146.7	136.8	124.6	110.3
65	-	-	186.5	190.9	194.6	142.5	133.6	125.7	116.5	103.2
72	-	-	156.1	159.5	163.9	128.2	120.4	113.8	107.1	95.0
79	-	-	-	144.8	140.4	115.3	108.7	104.4	98.9	87.9
85	-	-	-	129.7	124.2	106.2	100.7	97.3	92.9	82.9
92	-	-	-	-	108.8	97.9	91.3	89.1	85.8	77.0
98	-	-	-	-	97.7	90.8	85.3	83.1	80.8	72.0
105	-	-	-	-	88.1	83.7	79.3	77.1	74.9	67.2
111	-	-	-	-	-	76.7	74.3	72.1	69.9	63.8
118	-	-	-	-	-	68.4	68.4	66.2	65.7	59.5
124	-	-	-	-	-	-	63.0	62.7	62.1	56.1
131	-	-	-	-	-	-	56.8	58.1	58.1	52.5
138	-	-	-	-	-	-	51.4	52.5	54.5	49.5
144	-	-	-	-	-	-	-	48.3	50.5	46.8
151	-	-	-	-	-	-	-	43.8	46.0	44.0
157	-	-	-	-	-	-	-	-	42.6	42.0
164	-	-	-	-	-	-	-	-	38.8	39.0
177	-	-	-	-	-	-	-	-	-	32.9

Lifting capacities main boom

132,300 lb



360°

DIN/ISO

Radius ft	Main boom									
	50.9 ft	67.3 ft	83.7 ft	100.0 ft	116.5 ft	132.9 ft	149.3 ft	165.7 ft	182.1 ft	196.9 ft
	1,000 lb									
10	687.8	687.8	-	-	-	-	-	-	-	-
11	687.8	687.8	-	-	-	-	-	-	-	-
13	687.8	687.8	661.3	-	-	-	-	-	-	-
15	667.0	662.6	657.2	-	-	-	-	-	-	-
16	644.1	639.7	639.7	510.3	437.0	-	-	-	-	-
19	582.6	578.2	580.4	486.1	416.8	353.8	-	-	-	-
23	513.2	511.0	511.0	453.9	387.7	321.6	271.0	-	-	-
26	472.9	468.6	470.7	431.7	367.6	299.4	256.9	-	-	-
29	436.2	433.7	434.0	407.7	347.4	279.1	244.6	227.0	-	-
33	383.6	379.2	381.4	377.3	320.7	254.7	228.5	211.0	183.5	-
39	317.1	312.7	314.9	318.8	284.4	224.5	205.3	190.8	165.3	144.0
46	-	241.9	246.3	246.3	242.0	197.0	181.6	168.4	148.6	129.9
52	-	189.5	191.8	207.0	200.7	176.9	164.5	153.3	136.5	120.9
59	-	146.9	149.1	164.6	159.0	155.5	146.7	136.8	124.6	110.3
65	-	-	123.8	138.2	132.7	129.4	129.6	125.7	116.5	103.2
72	-	-	101.9	115.2	109.7	106.4	107.5	108.4	107.1	95.0
79	-	-	-	97.6	92.1	93.3	89.8	92.0	94.2	87.9
85	-	-	-	86.5	81.0	86.3	81.8	79.9	82.1	82.9
92	-	-	-	-	69.2	74.7	75.9	68.1	71.4	71.4
98	-	-	-	-	62.4	66.7	69.8	61.8**	63.6	64.2
105	-	-	-	-	54.8	59.7	61.9	57.3**	55.5	56.2
111	-	-	-	-	-	53.8	56.0	53.4**	49.5	50.1
118	-	-	-	-	-	48.1	50.1	49.8**	43.3	43.7
124	-	-	-	-	-	-	45.6	46.2**	38.6	39.1
131	-	-	-	-	-	-	40.9	41.6**	33.8	34.3
138	-	-	-	-	-	-	36.9	37.3**	29.6	30.0
144	-	-	-	-	-	-	-	32.4**	26.4	26.8
151	-	-	-	-	-	-	-	21.1	23.1	23.5
157	-	-	-	-	-	-	-	-	20.6	20.9
164	-	-	-	-	-	-	-	-	18.0	18.3
177	-	-	-	-	-	-	-	-	-	13.9

0 lb



360°

DIN/ISO

Radius ft	Main boom										
	50.9 ft	67.3 ft	83.7 ft	100.0 ft	116.5 ft	132.9 ft	149.3 ft	159.1 ft	165.7 ft	182.1 ft	196.9 ft
	1,000 lb										
10	687.8	687.8	-	-	-	-	-	-	-	-	-
11	687.8	687.8	-	-	-	-	-	-	-	-	-
13	683.7	681.7	662.8	-	-	-	-	-	-	-	-
15	638.3	634.2	636.1	-	-	-	-	-	-	-	-
16	615.5	612.7	613.3	510.3	437.0	-	-	-	-	-	-
19	548.7	544.7	546.5	486.1	416.8	364.9	-	-	-	-	-
23	448.8	443.8	380.2	360.5	310.0	268.3	241.9	-	-	-	-
26	366.1	308.7	273.3	271.8	237.4	218.0	192.5	153.7	-	-	-
29	274.2	230.1	210.0	215.5	189.8	183.8	170.6	147.6	147.2	-	-
33	179.6	165.5	154.9	165.0	146.4	144.3	140.0	135.6	118.0	114.8	-
39	110.1	102.0	104.5	119.6	120.5	113.1*	105.7	102.3	87.8	86.6	82.6
46	-	63.0	65.4	82.4	90.1	89.0*	79.1	77.0	64.2	64.6	62.0
52	-	44.5	46.3	61.8	68.9	69.9*	63.8	62.6	50.1	51.1	49.3
59	-	30.0	31.2	45.5	52.6	53.4*	49.2	49.4	37.5	39.1	37.7
65	-	-	22.5	35.8	42.4	43.3*	39.3	40.2	29.6	31.4	30.3
72	-	-	13.6	27.3	33.5	34.3*	30.6	31.3	21.8	23.9	23.1
79	-	-	-	20.9	26.9	27.5*	23.8	24.7	14.7	17.8	17.4
85	-	-	-	16.7	22.2	22.9*	19.4	20.0	9.5	12.6	13.2
92	-	-	-	-	18.0	18.4*	15.1	15.7	4.5	7.6	8.5
98	-	-	-	-	14.9	15.4*	11.5	12.3	-	-	4.8
105	-	-	-	-	-	12.3*	7.9	8.5	-	-	-
111	-	-	-	-	-	9.7*	5.3	5.9	-	-	-

Remarks

* Length of main boom 121.4 ft

** Length of main boom 159.1 ft

[MAIN MENU](#)

[CONTENTS](#)

Lifting capacities main boom with Superlift

352,800 lb



360°

DIN/ISO

Radius	Main boom					
	116.5 ft	132.9 ft	149.3 ft	165.7 ft	182.1 ft	196.9 ft
ft	1,000 lb					
16	429.8	-	-	-	-	-
19	429.8	363.3	-	-	-	-
23	423.2	352.6	306.3	-	-	-
26	417.1	346.6	298.2	251.4	-	-
29	407.4	340.5	292.0	249.4	207.7	160.1
33	389.0	330.1	286.2	246.7	203.7	157.5
39	352.7	314.0	276.1	240.6	197.6	153.4
46	312.6	290.7	266.6	231.4	189.5	147.6
52	280.4	268.5	256.5	225.3	181.4	141.5
59	249.3	242.7	231.6	216.1	172.0	134.5
65	227.1	221.5	215.5	204.0	163.9	128.4
72	203.4	201.1	197.7	189.9	155.6	122.5
79	182.2	183.5	182.4	175.8	147.4	116.6
85	166.1	170.4	169.3	164.8	140.3	111.5
92	149.4	154.0	156.2	151.8	132.1	106.8
98	129.3	141.9	144.1	141.8	126.0	102.8
105	100.2	127.8	131.1	131.1	119.0	98.1
111	-	112.7	122.0	122.0	112.9	95.0
118	-	92.9	111.5	112.5	105.9	90.4
124	-	-	100.4	105.5	99.8	87.4
131	-	-	84.3	98.3	93.8	83.8
138	-	-	-	88.9	88.0	80.4
144	-	-	-	78.8	84.0	78.3
151	-	-	-	64.2	78.1	74.9
157	-	-	-	-	72.1	71.8
164	-	-	-	-	61.8	68.3
177	-	-	-	-	-	55.0

308,700 lb



360°

DIN/ISO

Radius	Main boom					
	116.5 ft	132.9 ft	149.3 ft	165.7 ft	182.1 ft	196.9 ft
ft	1,000 lb					
16	429.8	-	-	-	-	-
19	429.8	363.3	-	-	-	-
23	423.2	352.6	306.3	-	-	-
26	417.1	346.6	298.2	251.4	-	-
29	407.4	340.5	292.0	249.4	207.7	160.1
33	389.0	330.1	286.2	246.7	203.7	157.5
39	352.7	314.0	276.1	240.6	197.6	153.4
46	308.2	290.7	266.6	231.4	189.5	147.6
52	276.0	268.5	256.5	225.3	181.4	141.5
59	244.9	242.7	231.6	216.1	172.0	134.5
65	220.7	221.5	215.5	204.0	163.9	128.4
72	194.6	197.9	197.7	189.9	155.6	122.5
79	172.3	175.6	178.9	175.8	147.4	116.6
85	156.2	159.5	162.8	164.8	140.3	111.5
92	140.8	144.1	146.3	149.6	132.1	106.8
98	128.7	132.0	134.2	138.5	126.0	102.8
105	100.2	117.9	120.1	123.4	119.0	98.1
111	-	106.8	110.0	113.3	112.9	95.0
118	-	92.8	99.3	102.6	104.8	90.4
124	-	-	91.2	94.6	96.8	87.4
131	-	-	82.9	86.2	88.4	83.8
138	-	-	-	79.1	81.4	80.3
144	-	-	-	73.1	76.3	76.3
151	-	-	-	64.2	70.4	70.4
157	-	-	-	-	66.0	66.4
164	-	-	-	-	61.3	61.7
177	-	-	-	-	-	53.8

MAIN MENU

CONTENTS

Lifting capacities main boom with Superlift

220,500 lb

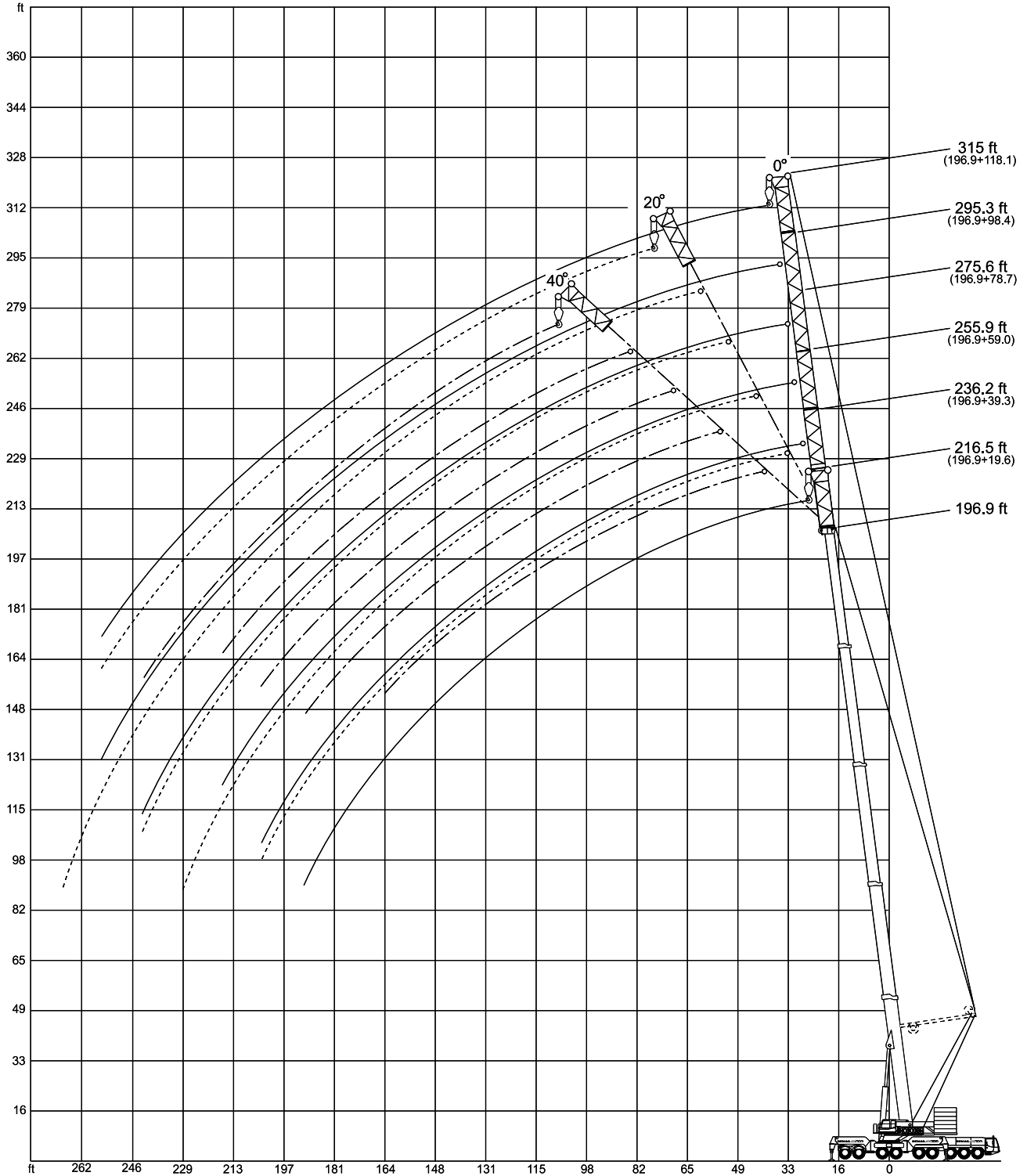


360°

DIN/ISO

Radius	Main boom					
	116.5 ft	132.9 ft	149.3 ft	165.7 ft	182.1 ft	196.9 ft
ft	1,000 lb					
16	429.8	-	-	-	-	-
19	429.8	363.3	-	-	-	-
23	423.2	352.6	306.3	-	-	-
26	417.1	346.6	298.2	251.4	-	-
29	407.4	340.5	292.0	249.4	207.7	160.1
33	388.8	330.1	286.2	246.7	203.7	157.5
39	346.5	314.0	276.1	240.6	197.6	153.4
46	294.9	290.6	266.6	231.4	189.5	147.6
52	254.6	258.3	256.5	225.3	181.4	141.5
59	217.4	220.7	222.9	216.1	172.0	134.5
65	188.2	192.5	195.7	196.0	163.9	128.4
72	156.2	160.6	163.9	168.2	155.6	122.5
79	131.5	135.9	139.2	143.6	146.9	116.6
85	115.4	119.8	122.1	126.5	129.8	111.5
92	100.0	103.3	106.6	111.0	114.3	106.8
98	88.9	92.2	95.5	98.9	102.2	102.8
105	78.2	81.5	83.7	88.1	90.3	91.4
111	-	73.4	75.7	79.1	82.3	83.4
118	-	65.3	67.3	70.6	73.9	75.0
124	-	-	61.5	65.2	67.9	69.0
131	-	-	55.1	58.6	61.7	62.3
138	-	-	-	52.7	55.8	56.7
144	-	-	-	48.3	51.2	52.0
151	-	-	-	43.6	46.4	47.1
157	-	-	-	-	42.8	43.3
164	-	-	-	-	38.8	39.2
177	-	-	-	-	-	33.1

Working ranges main boom extension



Lifting capacities main boom extension

Main boom: 196.9 ft

220,500 lb 

 360°

DIN/ISO

Radius	Extension											
	19.6 ft		39.3 ft		59.0 ft		78.7 ft		98.4 ft		118.1 ft	
	0°		0°	20°	0°	20°	0°	20°	0°	20°	0°	20°
ft	1,000 lb											
46	102.2	-	-	-	-	-	-	-	-	-	-	-
52	95.3	82.2	-	-	69.5	-	-	-	-	-	-	-
59	88.0	75.6	-	-	64.6	-	52.9	-	-	-	-	-
65	82.3	70.8	62.2	-	61.0	-	50.1	-	41.6	-	34.9	-
72	76.2	65.6	58.9	53.8	56.9	48.1	47.2	-	39.9	-	33.3	-
79	70.8	61.1	55.8	51.7	53.4	45.7	44.6	-	38.2	-	31.9	-
85	66.5	57.7	53.4	50.1	50.6	43.9	42.6	33.5	36.8	-	30.4	-
92	61.8	54.1	50.8	48.0	47.5	41.8	40.3	32.3	35.2	-	29.0	-
98	58.4	51.5	48.6	46.4	45.3	40.2	38.4	31.5	33.8	27.4	27.8	-
105	54.6	48.7	46.2	44.5	42.9	38.5	36.5	30.6	32.1	26.4	26.4	21.3
111	51.6	46.2	44.2	43.1	40.9	37.1	34.9	29.8	30.9	25.4	25.2	20.5
118	48.5	43.9	42.1	41.2	38.8	35.5	33.3	28.8	29.3	24.4	24.0	19.8
124	45.7	41.6	40.3	39.8	37.0	34.3	31.7	28.0	28.1	23.4	22.8	19.0
131	43.0	39.5	38.4	38.4	35.1	32.8	30.2	27.3	26.5	22.5	21.6	18.3
138	40.2	37.1	36.5	36.5	33.2	31.4	28.6	26.4	25.0	21.3	20.4	17.3
144	38.2	35.3	34.9	34.9	31.8	30.4	27.4	25.6	23.8	20.3	19.4	16.7
151	36.1	33.4	33.0	33.0	30.1	29.0	26.0	24.6	22.4	19.3	18.2	16.0
157	34.3	31.8	31.6	31.6	28.7	27.8	24.9	23.8	21.4	18.3	17.2	15.2
164	32.4	29.9	29.9	29.9	27.1	26.4	23.5	22.9	20.0	17.4	16.3	14.5
177	29.1	26.9	27.1	27.1	24.5	24.0	21.1	20.9	17.8	15.6	14.1	13.0
190	26.2	24.3	24.5	24.5	22.1	21.8	19.0	19.0	15.9	14.1	12.3	11.7
203	-	21.9	22.1	22.1	19.6	19.6	17.0	17.2	13.9	12.6	10.6	10.4
216	-	-	-	-	17.7	17.7	15.0	15.2	12.1	11.0	8.8	9.0
229	-	-	-	-	-	16.1	13.3	13.5	10.4	9.7	7.5	7.7
243	-	-	-	-	-	-	11.4	11.8	8.7	8.5	5.9	6.3
256	-	-	-	-	-	-	-	-	7.2	7.4	4.8	5.2
269	-	-	-	-	-	-	-	-	-	6.6	-	-

132,300 lb 



 360°

DIN/ISO


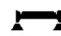
Radius	Extension												
	19.6 ft		39.3 ft		59.0 ft		78.7 ft		98.4 ft		118.1 ft		
	0°	0°	20°	40°	0°	20°	40°	0°	20°	40°	0°	20°	40°
ft	1,000 lb												
46	102.2	-	-	-	-	-	-	-	-	-	-	-	-
52	95.3	82.2	-	-	69.5	-	-	-	-	-	-	-	-
59	88.0	75.6	-	-	64.6	-	52.9	-	-	-	-	-	-
65	82.3	70.8	62.2	-	61.0	-	50.1	-	41.6	-	34.9	-	-
72	76.2	65.6	58.9	53.8	56.9	48.1	47.2	-	39.9	-	33.3	-	-
79	70.8	61.1	55.8	51.7	53.4	45.7	44.6	-	38.2	-	31.9	-	-
85	66.5	57.7	53.4	50.1	50.6	43.9	42.6	33.5	36.8	-	30.4	-	-
92	61.8	54.1	50.8	48.0	47.5	41.8	40.3	32.3	35.2	-	29.0	-	-
98	58.4	51.5	48.6	46.4	45.3	40.2	38.4	31.5	33.8	27.4	27.8	-	-
105	53.1	48.7	46.2	44.5	42.9	38.5	36.5	30.6	32.1	26.4	26.4	21.3	-
111	47.6	46.2	44.2	43.1	40.9	37.1	34.9	29.8	30.9	25.4	25.2	20.5	-
118	41.9	41.9	42.1	41.2	38.8	35.5	33.0	28.8	29.3	24.4	20.7	19.8	-
124	37.7	37.7	40.3	39.8	37.0	34.3	32.0	28.0	28.1	23.4	20.1	19.0	-
131	33.2	33.2	36.0	37.9	34.4	32.8	30.9	27.3	26.5	22.5	19.4	18.3	-
138	29.0	29.2	31.8	33.6	30.5	31.4	29.7	26.4	25.0	21.3	18.7	17.3	15.1
144	25.9	26.1	28.6	30.1	27.5	30.4	28.9	25.6	23.8	20.3	18.1	16.7	14.5
151	22.6	22.8	25.0	26.4	24.2	27.7	27.7	24.6	22.4	19.3	17.4	16.0	14.1
157	20.0	20.2	22.2	23.3	21.8	25.1	26.9	23.8	21.4	18.3	16.8	15.2	13.7
164	17.2	17.4	19.2	20.3	18.9	22.0	24.0	22.9	20.0	17.4	16.0	14.5	13.2
177	12.6	12.8	14.3	-	14.3	17.0	18.5	19.4	16.7	15.6	15.0	13.0	12.3
190	8.6	9.1	10.0	-	10.6	12.6	13.7	15.0	13.0	14.1	13.9	11.7	11.2
203	-	5.6	6.2	-	7.1	8.9	-	11.3	9.8	12.6	12.6	10.4	10.3
216	-	-	-	-	-	5.4	-	7.8	6.7	9.8	11.5	9.0	9.3
229	-	-	-	-	-	-	-	4.7	-	6.9	-	7.7	8.2
243	-	-	-	-	-	-	-	-	-	-	-	5.2	7.0

Lifting capacities main boom extension with Superlift

Main boom: 196.9 ft


Radius	352,800 lb   360° DIN/ISO					
	Extension					
	19.6 ft	39.3 ft		59.0 ft		
0°	0°	20°	0°	20°		
ft	1,000 lb					
33	116.4	-	-	-	-	-
39	116.4	95.2	-	77.2	-	-
46	112.8	91.6	-	74.7	-	-
52	109.6	88.6	85.0	72.2	-	-
59	105.8	85.1	82.0	69.6	-	-
65	102.6	82.3	79.6	67.4	59.1	-
72	99.2	79.0	76.7	64.8	56.7	-
79	96.0	75.9	73.9	62.2	54.3	-
85	93.1	73.3	71.7	60.0	52.7	-
92	90.1	70.4	69.4	57.7	50.8	-
98	87.4	68.2	67.3	55.7	49.6	-
105	84.4	65.9	65.0	53.7	48.2	-
111	81.8	63.8	63.2	51.9	47.0	-
118	78.9	61.7	61.1	50.2	46.0	-
124	76.5	59.9	59.4	48.6	45.0	-
131	73.9	58.2	57.8	47.2	44.1	-
138	71.3	56.3	55.9	45.8	43.1	-
144	69.1	55.1	54.7	44.8	42.3	-
151	66.7	53.5	53.1	43.6	41.4	-
157	64.7	52.5	51.9	42.8	40.8	-
164	62.6	51.1	50.7	41.8	40.1	-
177	58.9	49.1	48.5	40.3	38.6	-
190	-	47.2	46.5	39.0	37.5	-
203	-	45.4	-	37.7	36.1	-
216	-	-	-	36.4	-	-

Main boom: 196.9 ft

Radius	220,500 lb   360° DIN/ISO							
	Extension							
	19.6 ft	39.3 ft			59.0 ft			
0°	0°	20°	40°	0°	20°	40°		
ft	1,000 lb							
33	116.4	-	-	-	-	-	-	-
39	116.4	95.2	-	-	77.2	-	-	-
46	112.8	91.6	-	-	74.7	-	-	-
52	109.6	88.6	85.0	-	72.2	-	-	-
59	105.8	85.1	82.0	-	69.6	-	-	-
65	102.6	82.3	79.6	67.9	67.4	59.1	-	-
72	99.2	79.0	76.7	67.0	64.8	56.7	-	-
79	96.0	75.9	73.9	66.0	62.2	54.3	45.1	-
85	93.1	73.3	71.7	65.0	60.0	52.7	44.1	-
92	90.1	70.4	69.4	63.9	57.7	50.8	43.1	-
98	87.4	68.2	67.3	62.9	55.7	49.6	42.3	-
105	84.4	65.9	65.0	61.5	53.7	48.2	41.6	-
111	81.8	63.8	63.2	60.4	51.9	47.0	41.0	-
118	77.0	61.7	61.1	59.1	50.2	46.0	40.3	-
124	70.6	59.9	59.4	57.8	48.6	45.0	39.9	-
131	63.9	58.2	57.8	56.4	47.2	44.1	39.4	-
138	58.0	56.3	55.9	55.0	45.8	43.1	39.0	-
144	53.6	53.9	54.7	53.8	44.8	42.3	38.6	-
151	48.6	49.1	50.4	-	43.6	41.4	38.1	-
157	44.8	45.2	46.6	-	42.8	40.8	37.9	-
164	40.5	41.0	42.5	-	41.8	40.1	37.4	-
177	34.0	34.4	35.8	-	36.0	38.3	-	-
190	-	28.7	29.8	-	30.3	32.5	-	-
203	-	23.9	-	-	25.5	27.2	-	-
216	-	-	-	-	21.3	-	-	-

Lifting capacities fixed fly jib

Main boom: 165.7 ft

		 360°												DIN/ISO					
		Fly jib																	
Radius	65.6 ft			85.3 ft				105.0 ft			124.7 ft			144.4 ft			164.0 ft		
	0°	0°	20°	40°	0°	20°	40°	0°	20°	40°	0°	20°	40°	0°	20°	40°	0°	20°	40°
ft	1,000 lb																		
46	104.1	-	-	-	-	-	-	-	-	-	-	-	-	-	-	-	-	-	-
52	96.7	83.9	-	-	-	-	-	-	-	-	-	-	-	-	-	-	-	-	-
59	89.1	77.8	-	-	69.4	-	-	-	-	-	-	-	-	-	-	-	-	-	-
65	83.2	73.0	66.6	-	65.0	-	-	53.3	-	-	43.3	-	-	-	-	-	-	-	-
72	76.8	68.0	62.9	58.7	60.5	-	-	50.9	-	-	41.2	-	-	-	-	-	36.2	-	-
79	71.4	63.3	59.3	56.1	56.3	50.8	-	48.6	-	-	39.1	-	-	-	-	-	34.3	-	-
85	67.4	59.7	56.3	53.9	53.0	49.0	-	46.6	35.0	-	37.5	-	-	-	-	-	32.7	-	-
92	62.9	55.7	53.2	51.3	49.5	46.6	42.0	44.2	34.3	-	35.6	-	-	-	-	-	31.0	-	-
98	59.7	52.8	50.8	49.3	46.9	44.6	40.8	42.2	33.5	-	34.2	25.6	-	-	-	-	29.4	-	-
105	56.2	49.6	48.0	46.9	44.0	42.5	39.6	39.9	32.8	27.1	32.4	24.6	-	-	-	-	27.7	-	-
111	53.5	47.1	45.8	44.9	41.8	40.7	38.4	38.0	32.0	26.7	30.9	23.8	-	-	-	-	26.5	21.2	-
118	50.5	44.5	43.4	43.0	39.7	38.6	37.0	35.9	31.3	26.2	29.5	22.9	19.6	-	-	-	24.9	20.5	-
124	48.3	42.5	41.6	41.2	37.9	36.9	35.6	34.1	30.5	26.0	28.1	22.3	19.2	-	-	-	23.7	19.9	-
131	45.9	40.4	39.7	39.3	35.7	35.1	34.2	32.0	29.5	25.5	26.7	21.4	18.7	-	-	-	22.3	19.2	-
138	43.5	38.5	37.8	37.6	34.1	33.2	32.5	30.1	28.4	25.1	25.3	20.7	18.5	-	-	-	21.1	18.4	15.4
144	41.7	37.1	36.4	36.2	32.5	31.8	31.3	28.7	27.6	24.7	24.3	20.3	18.1	-	-	-	19.9	17.6	15.2
151	39.6	35.4	35.0	34.5	30.8	30.1	29.7	26.8	26.4	24.2	22.9	19.6	17.6	-	-	-	18.7	16.9	14.7
157	38.0	34.2	33.8	33.3	29.6	28.9	28.5	25.6	25.6	23.6	21.9	19.0	17.2	-	-	-	17.7	16.1	14.3
164	36.3	32.8	32.4	31.9	28.0	27.5	27.1	24.0	24.4	23.1	20.5	18.3	16.9	-	-	-	16.5	15.4	14.1
177	33.1	30.4	30.0	29.7	25.6	24.9	24.7	21.4	22.0	21.8	18.3	17.2	16.3	-	-	-	14.5	13.6	13.0
190	30.2	28.2	27.8	-	23.2	22.9	22.5	19.2	19.8	20.3	16.3	15.9	15.4	-	-	-	12.8	12.1	11.9
203	27.2	25.8	25.6	-	21.2	21.0	-	17.2	17.4	18.3	14.3	14.5	14.5	-	-	-	11.0	10.6	10.6
216	-	23.2	23.2	-	19.2	19.0	-	15.2	15.5	15.7	12.6	13.0	13.2	-	-	-	9.5	9.3	9.3
229	-	-	-	-	17.2	17.4	-	13.7	13.5	-	11.1	11.7	11.9	-	-	-	8.2	8.0	8.2
243	-	-	-	-	-	15.6	-	12.1	11.8	-	9.6	10.3	-	-	-	-	7.0	6.8	7.0
256	-	-	-	-	-	-	-	10.7	10.7	-	8.5	9.0	-	-	-	-	5.9	5.9	6.1
269	-	-	-	-	-	-	-	-	-	-	7.7	8.1	-	-	-	-	5.0	5.0	-
282	-	-	-	-	-	-	-	-	-	-	-	7.2	-	-	-	-	4.4	4.6	-

Main boom: 182.1 ft

		1,000 lb																	
52	81.7	-	-	-	-	-	-	-	-	-	-	-	-	-	-	-	-	-	-
59	76.1	63.5	-	-	-	-	-	-	-	-	-	-	-	-	-	-	-	-	-
65	71.8	59.8	-	-	52.3	-	-	-	-	-	-	-	-	-	-	-	-	-	-
72	67.1	55.8	50.9	-	49.2	-	-	44.1	-	-	38.8	-	-	-	-	-	-	-	-
79	62.9	52.3	48.6	46.2	46.1	-	-	41.7	-	-	36.2	-	-	-	-	-	30.7	-	-
85	59.4	49.5	46.6	44.1	43.7	39.1	-	39.5	-	-	34.2	-	-	-	-	-	29.1	-	-
92	55.9	46.4	44.2	42.0	41.4	37.0	-	37.2	-	-	31.9	-	-	-	-	-	27.0	-	-
98	53.3	44.0	42.2	40.2	39.3	35.1	32.3	35.4	32.0	-	30.1	-	-	-	-	-	25.4	-	-
105	50.4	41.4	39.9	38.1	37.2	33.2	30.6	33.2	30.6	-	28.2	24.2	-	-	-	-	23.8	-	-
111	48.2	39.4	38.0	36.3	35.4	31.6	29.2	31.4	29.4	26.9	26.6	23.2	-	-	-	-	22.1	-	-
118	45.6	37.2	35.9	34.4	33.5	30.0	27.5	29.3	28.0	25.8	24.7	21.8	-	-	-	-	20.7	18.9	-
124	43.8	35.4	34.1	32.8	31.9	28.5	26.3	27.7	26.8	24.8	23.3	20.8	18.5	-	-	-	19.3	17.9	-
131	41.7	33.5	32.2	30.9	30.2	26.9	24.9	25.8	25.1	23.6	21.6	19.6	17.8	-	-	-	17.9	17.0	-
138	39.6	31.9	30.3	29.2	28.6	25.5	23.7	24.2	23.7	22.2	20.2	18.4	16.9	-	-	-	16.7	16.0	-
144	38.2	30.5	28.9	27.8	27.4	24.3	22.5	22.7	22.5	21.2	19.0	17.6	16.3	-	-	-	15.5	15.2	14.3
151	36.3	28.8	27.5	26.2	25.7	23.1	21.3	21.1	21.1	20.0	17.6	16.5	15.4	-	-	-	14.3	14.3	13.4
157	34.9	27.6	26.3	25.0	24.5	22.1	20.5	19.9	19.9	19.0	16.6	15.7	14.6	-	-	-	13.5	13.3	12.6
164	33.3	26.2	24.9	23.5	23.1	20.9	19.4	18.5	18.5	17.8	15.4	14.7	13.8	-	-	-	12.3	12.3	11.6
177	30.6	23.8	22.5	21.4	20.5	18.7	17.6	16.1	16.3	15.6	13.2	13.0	12.3	-	-	-	10.6	10.6	10.1
190	28.0	21.6	20.5	19.4	18.1	17.0	15.9	14.1	14.1	13.7	11.5	11.2	10.8	-	-	-	9.0	9.0	8.8
203	25.4	19.4	18.7	-	15.9	15.2	14.1	12.6	12.4	11.9	9.9	9.7	9.3	-	-	-	7.5	7.5	7.5
216	23.0	17.7	17.2	-	14.1	13.7	-	11.0	11.0	10.4	8.4	8.2	8.0	-	-	-	6.2	6.2	6.4
229	-	15.7	15.7	-	12.4	12.4	-	9.7	9.7	9.3	7.1	6.9	6.8	-	-	-	4.9	5.1	5.3
243	-	-	-	-	11.0	11.2	-	8.3	8.3	-	5.9	5.7	5.7	-	-	-	-	-	4.3
256	-	-	-	-	9.9	10.1	-	7.4	7.4	-	4.8	4.8	-	-	-	-	-	-	-
269	-	-	-	-	-	-	-	6.3	6.6	-	-	-	-	-	-	-	-	-	-

Lifting capacities fixed fly jib with Superlift

Main boom: 182.1 ft



360°

DIN/ISO

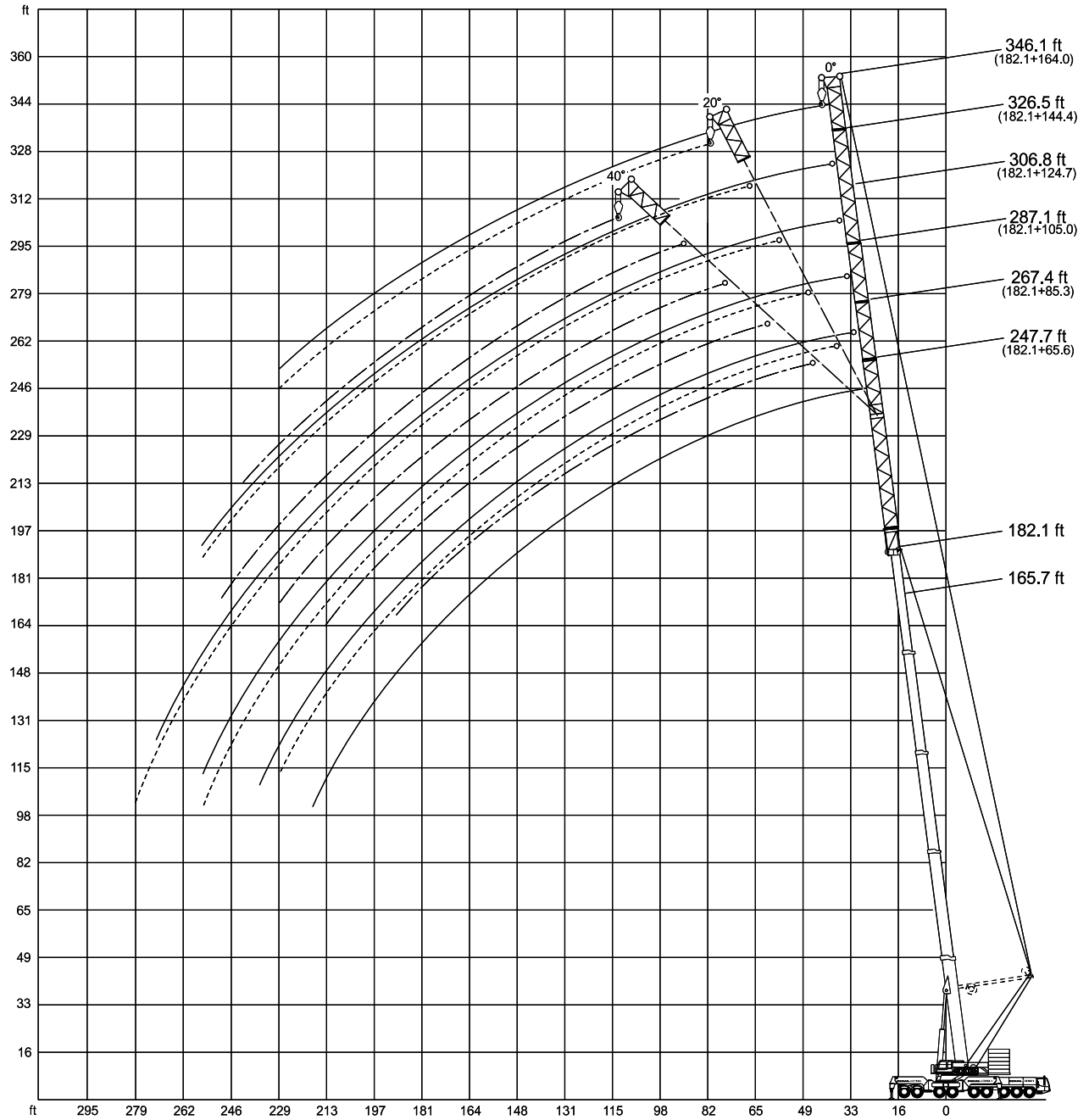
Radius	Fly jib																	
	65.6 ft			85.3 ft			105.0 ft			124.7 ft			144.4 ft			164.0 ft		
	0°	0°	20°	40°	0°	20°	40°	0°	20°	40°	0°	20°	40°	0°	20°	40°		
ft	1,000 lb																	
39	93.1	-	-	-	-	-	-	-	-	-	-	-	-	-	-	-		
46	90.3	69.4	-	-	57.9	-	-	-	-	-	-	-	-	-	-	-		
52	88.1	68.2	-	-	57.5	-	-	48.9	-	-	-	-	-	-	-	-		
59	85.3	67.0	62.4	-	56.8	-	-	48.5	-	-	40.7	-	-	31.7	-	-		
65	82.9	65.6	60.9	-	56.0	-	-	47.9	-	-	39.9	-	-	31.1	-	-		
72	80.3	64.1	59.3	57.7	54.9	49.1	-	46.9	-	-	39.0	-	-	30.2	-	-		
79	77.5	62.5	57.7	56.1	53.7	48.2	-	46.0	37.2	-	38.1	-	-	29.5	-	-		
85	75.2	60.9	56.2	54.7	52.7	47.4	43.9	45.0	36.2	-	37.2	-	-	28.7	-	-		
92	72.7	59.2	54.4	53.0	51.3	46.2	42.9	43.8	35.0	-	36.1	28.6	-	27.9	-	-		
98	70.4	57.6	53.0	51.6	50.1	45.2	41.9	42.8	34.2	28.2	35.3	27.8	-	27.1	-	-		
105	67.8	55.9	51.3	50.0	48.4	43.8	40.5	41.4	33.0	27.7	34.1	26.8	-	26.2	21.6	-		
111	65.6	54.3	49.7	48.4	47.2	42.8	39.5	40.4	32.2	27.3	33.1	26.2	-	25.6	20.9	-		
118	63.3	52.5	48.0	46.7	45.6	41.4	38.3	39.0	31.3	26.6	31.9	25.5	21.8	24.7	20.5	-		
124	61.0	50.8	46.6	45.3	44.2	40.2	37.1	37.8	30.7	26.2	31.1	24.9	21.4	24.0	19.9	-		
131	58.7	49.0	45.0	43.7	42.6	38.8	35.9	36.4	29.7	25.5	30.0	24.2	21.1	23.1	19.4	15.4		
138	56.3	47.3	43.3	42.0	40.9	37.4	34.5	35.2	29.0	25.1	29.0	23.7	20.7	22.4	18.9	14.9		
144	54.5	45.7	42.1	40.8	39.7	36.2	33.5	34.0	28.4	24.7	28.2	23.1	20.3	21.8	18.3	14.7		
151	52.2	44.0	40.7	39.4	38.1	35.0	32.1	32.8	27.7	24.0	27.3	22.7	19.8	20.9	17.8	14.5		
157	50.4	42.4	39.7	38.2	36.9	33.8	31.1	31.8	27.1	23.6	26.5	22.2	19.4	20.3	17.4	14.1		
164	48.5	40.7	38.3	37.0	35.5	32.6	29.9	30.6	26.4	23.1	25.5	21.8	18.9	19.6	16.9	13.8		
177	45.0	37.9	36.1	34.2	33.1	30.6	28.0	28.6	25.1	22.0	24.2	20.9	18.0	18.5	16.1	13.2		
190	41.9	35.3	34.2	-	30.6	28.7	26.2	26.9	23.8	20.9	22.9	19.8	17.4	17.6	15.4	12.7		
203	39.3	32.9	32.2	-	28.7	26.9	24.7	25.4	22.7	19.8	21.8	18.9	16.5	16.7	14.5	12.1		
216	35.2	30.7	30.7	-	26.7	25.4	-	24.0	21.6	18.7	20.9	18.1	15.6	15.9	13.9	11.6		
229	-	29.1	29.1	-	25.0	23.8	-	22.7	20.3	-	19.8	17.2	14.8	15.2	13.2	11.0		
243	-	-	-	-	23.5	22.4	-	21.3	19.1	-	18.9	16.2	14.0	14.5	12.5	10.5		
256	-	-	-	-	-	21.1	-	20.4	17.8	-	18.0	15.2	-	14.1	12.1	9.9		
269	-	-	-	-	-	-	-	19.6	16.5	-	17.1	14.3	-	13.4	11.4	-		
282	-	-	-	-	-	-	-	-	-	-	16.3	13.4	-	13.0	11.0	-		
295	-	-	-	-	-	-	-	-	-	-	-	12.8	-	12.5	10.3	-		
308	-	-	-	-	-	-	-	-	-	-	-	-	-	10.8	9.7	-		

Remarks

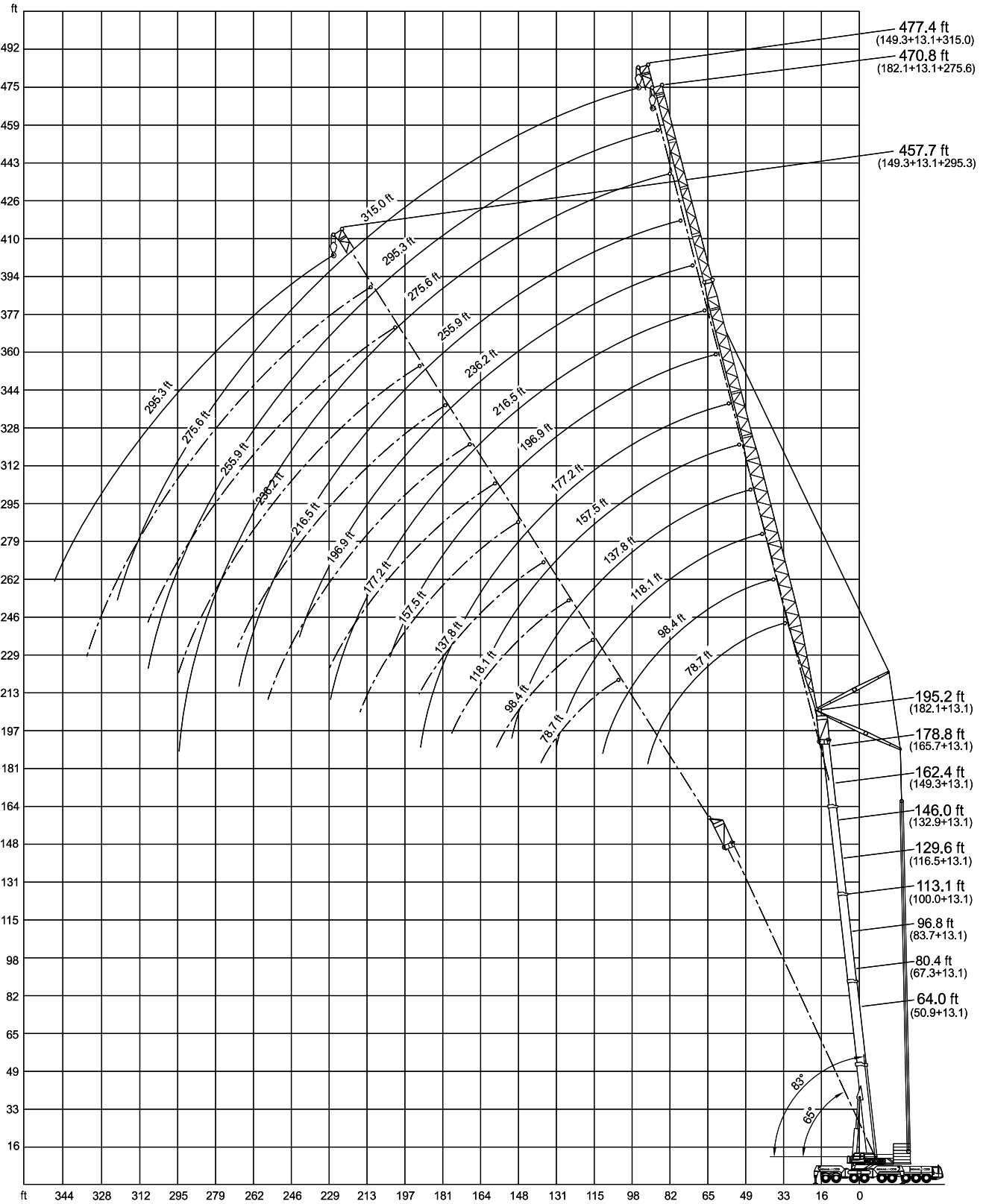
Counterweight 132,300 lb 176,400 lb 220,500 lb 264,600 lb 308,700 lb 352,800 lb

Max. capacities with minimum counterweight
Further counterweight configurations on request

Working ranges fixed fly jib



Working ranges luffing fly jib, main boom 83° to 65°



Lifting capacities luffing fly jib, main boom 83° to 65°

Main boom: 64.0 ft*



DIN/ISO

Radius	Fly jib																									
	78.7 ft			98.4 ft			118.1 ft			137.8 ft			157.5 ft			177.2 ft										
	83°	73°	65°	83°	73°	65°	83°	73°	65°	83°	73°	65°	83°	73°	65°	83°	73°	65°								
ft	1,000 lb																									
39	271.7	-	-	-	-	-	-	-	-	-	-	-	-	-	-	-	-	-	-	-	-	-	-	-	-	
46	260.0	-	-	227.0	-	-	196.1	-	-	-	-	-	-	-	-	-	-	-	-	-	-	-	-	-	-	-
52	249.9	-	-	222.9	-	-	194.1	-	-	-	-	160.9	-	-	-	-	-	-	-	-	-	-	-	-	-	-
59	240.3	-	-	222.6	-	-	191.8	-	-	-	-	160.9	-	-	-	133.3	-	-	-	-	-	-	-	114.6	-	-
65	226.1	223.4	-	220.6	203.4	-	189.8	-	-	-	-	159.9	-	-	-	133.3	-	-	-	-	-	-	-	114.6	-	-
72	198.0	206.5	-	210.8	196.3	-	188.5	-	-	-	-	158.7	-	-	-	133.3	-	-	-	-	-	-	-	114.6	-	-
79	-	191.2	186.8	194.5	189.0	-	187.1	169.6	-	-	-	157.5	-	-	-	133.2	-	-	-	-	-	-	-	114.6	-	-
85	-	179.1	174.7	182.4	176.9	172.5	181.0	167.6	-	-	-	156.5	147.7	-	-	131.2	-	-	-	-	-	-	-	114.6	-	-
92	-	-	160.7	155.9	163.9	159.5	167.1	162.8	-	-	-	154.2	147.6	-	-	128.9	124.5	-	-	-	-	-	-	113.4	-	-
98	-	-	150.6	130.7	152.9	148.5	147.9	151.7	147.3	-	-	153.2	146.6	-	-	126.9	124.5	-	-	-	-	-	-	111.4	-	-
105	-	-	-	142.1	137.7	127.8	141.0	136.6	142.1	138.8	-	-	142.1	138.8	-	-	125.6	123.4	-	-	-	-	-	108.0	108.0	-
111	-	-	-	-	129.7	110.7	132.0	128.6	128.0	130.8	127.5	-	-	123.6	122.4	-	-	123.6	122.4	-	-	-	-	106.0	107.0	-
118	-	-	-	-	121.3	90.7	123.5	120.2	112.6	122.4	119.1	-	-	115.8	121.2	111.3	-	-	-	-	-	-	-	102.5	104.7	-
124	-	-	-	-	-	-	116.5	114.2	100.5	116.4	112.1	-	-	109.8	115.3	110.3	-	-	-	-	-	-	99.5	102.7	-	
131	-	-	-	-	-	-	-	107.1	86.4	109.3	106.0	-	-	98.5	108.2	104.9	-	-	-	-	-	-	94.9	100.3	100.4	
138	-	-	-	-	-	-	-	101.2	71.2	102.2	100.1	-	-	87.8	101.2	99.0	-	-	-	-	-	-	90.2	98.0	96.8	
144	-	-	-	-	-	-	-	-	-	-	94.1	95.1	-	-	78.8	97.2	94.0	-	-	-	-	-	86.2	94.9	92.8	
151	-	-	-	-	-	-	-	-	-	-	-	90.3	-	-	68.2	91.4	88.1	-	-	-	-	-	77.0	90.3	87.0	
157	-	-	-	-	-	-	-	-	-	-	-	85.2	-	-	-	86.3	84.1	-	-	-	-	-	70.0	85.2	83.0	
164	-	-	-	-	-	-	-	-	-	-	-	-	-	-	75.0	79.3	-	-	-	-	-	-	62.4	80.5	78.2	
177	-	-	-	-	-	-	-	-	-	-	-	-	-	-	-	-	-	-	-	-	-	-	69.5	70.6	-	
190	-	-	-	-	-	-	-	-	-	-	-	-	-	-	-	-	-	-	-	-	-	-	-	-	64.7	-

ft	196.9 ft			216.5 ft			236.2 ft			255.9 ft			275.6 ft			295.3 ft			315.0 ft							
	83°	73°	65°	83°	73°	65°	83°	73°	65°	83°	73°	65°	83°	73°	65°	83°	73°	65°	83°	73°	65°					
65	92.5	-	-	-	-	-	-	-	-	-	-	-	-	-	-	-	-	-	-	-	-	-	-	-	-	-
72	92.5	-	-	78.2	-	-	-	-	-	-	-	-	-	-	-	-	-	-	-	-	-	-	-	-	-	-
79	92.5	-	-	77.1	-	-	66.1	-	-	-	-	-	-	-	-	-	-	-	-	-	-	-	-	-	-	-
85	92.5	-	-	76.1	-	-	66.1	-	-	53.6	-	-	-	-	-	-	-	-	-	-	-	-	-	-	-	-
92	92.5	-	-	74.9	-	-	66.1	-	-	52.6	-	-	43.4	-	-	35.2	-	-	-	-	-	-	-	-	-	-
98	92.5	-	-	73.9	-	-	66.1	-	-	51.8	-	-	42.6	-	-	34.4	-	-	-	-	-	-	28.7	-	-	-
105	92.5	-	-	72.7	-	-	66.1	-	-	50.9	-	-	41.8	-	-	33.7	-	-	-	-	-	-	27.5	-	-	-
111	92.5	88.1	-	71.7	-	-	65.9	-	-	50.3	-	-	41.0	-	-	32.9	-	-	-	-	-	-	26.5	-	-	-
118	92.5	88.1	-	71.6	71.6	-	65.4	-	-	49.3	-	-	40.3	-	-	32.1	-	-	-	-	-	-	25.5	-	-	-
124	92.5	87.1	-	70.6	71.6	-	64.8	65.0	-	48.7	-	-	39.5	-	-	31.5	-	-	-	-	-	-	24.7	-	-	-
131	92.5	87.0	-	69.4	70.5	-	64.1	65.0	-	48.0	-	-	38.6	-	-	30.8	-	-	-	-	-	-	24.0	-	-	-
138	92.4	85.9	-	68.3	69.4	-	63.4	65.0	-	47.3	48.4	-	37.8	-	-	30.1	-	-	-	-	-	-	23.3	-	-	-
144	89.4	84.8	82.6	67.3	69.4	-	62.8	65.0	-	46.7	47.8	-	37.0	38.4	-	29.5	-	-	-	-	-	-	22.7	-	-	-
151	83.6	83.7	81.5	66.1	68.3	68.3	62.1	65.0	-	46.0	47.1	-	36.1	37.4	-	28.8	-	-	-	-	-	-	22.0	-	-	-
157	76.6	81.7	80.5	64.7	67.3	67.3	61.5	65.0	-	45.2	46.5	-	35.5	36.6	-	28.2	29.3	-	-	-	-	-	21.4	-	-	-
164	69.4	79.3	78.2	63.0	66.1	66.1	60.8	65.0	61.5	44.5	45.8	-	34.6	35.7	-	27.5	28.6	-	-	-	-	20.9	21.8	-	-	
177	57.4	72.8	70.6	59.3	63.5	63.9	56.7	65.0	60.8	43.2	44.5	44.9	33.0	34.1	-	26.4	27.3	-	-	-	-	19.8	20.9	-	-	
190	45.2	64.1	64.5	50.6	60.6	61.9	52.1	61.1	60.2	41.7	43.2	43.4	31.5	32.6	33.9	25.3	26.2	-	-	-	-	19.1	20.0	-	-	
203	-	51.7	59.0	40.8	56.7	57.2	44.7	57.2	56.1	40.1	41.9	41.9	30.2	31.3	32.4	24.4	25.3	27.1	-	-	-	18.5	19.2	-	-	
216	-	-	-	47.1	52.6	36.5	50.5	51.3	38.4	40.6	40.6	28.9	30.0	31.1	23.6	24.2	25.8	17.8	18.5	19.0	-	-	-	-	-	
229	-	-	-	-	48.7	28.4	42.5	47.1	32.9	39.1	39.3	27.8	28.9	29.8	22.7	23.4	24.5	17.2	17.6	17.7	-	-	-	-	-	
243	-	-	-	-	-	-	33.3	43.3	25.8	37.6	37.9	26.6	27.7	28.4	22.0	22.4	23.3	16.5	16.9	16.5	-	-	-	-	-	
256	-	-	-	-	-	-	-	-	-	31.2	36.7	23.7	26.8	27.5	21.1	21.8	22.4	16.0	16.3	15.6	-	-	-	-	-	
269	-	-	-	-	-	-	-	-	-	-	33.7	18.0	26.0	26.4	20.7	21.1	21.6	15.4	15.4	14.7	-	-	-	-	-	
282	-	-	-	-	-	-	-	-	-	-	-	-	-	25.8	16.3	20.5	20.9	14.7	14.7	14.1	-	-	-	-	-	
295	-	-	-	-	-	-	-	-	-	-	-	-	-	-	-	20.0	20.3	14.1	14.3	13.6	-	-	-	-	-	
308	-	-	-	-	-	-	-	-	-	-	-	-	-	-	-	-	-	-	-	-	-	-	-	-	-	
321	-	-	-	-	-	-	-	-	-	-	-	-	-	-	-	-	-	-	-	-	-	-	-	-	13.2	

Remarks

*Incl. 13.1 ft adapter

Counterweight 132,300 lb 176,400 lb 220,500 lb 264,600 lb 308,700 lb 352,800 lb

Max. capacities with minimum counterweight

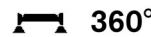
Further counterweight configurations on request

MAIN MENU

CONTENTS

Lifting capacities luffing fly jib, main boom 83° to 65°

Main boom: 80.4 ft*



DIN/ISO

Radius	78.7 ft			98.4 ft			118.1 ft			137.8 ft			157.5 ft			177.2 ft		
	83°	73°	65°	83°	73°	65°	83°	73°	65°	83°	73°	65°	83°	73°	65°	83°	73°	65°
ft	1,000 lb																	
46	251.2	-	-	217.0	-	-	173.0	-	-	-	-	-	-	-	-	-	-	-
52	243.1	-	-	212.0	-	-	171.0	-	-	-	-	-	-	-	-	-	-	-
59	229.3	-	-	207.2	-	-	169.7	-	-	-	-	-	-	-	114.6	-	-	-
65	218.2	205.0	-	203.2	-	-	169.7	-	-	-	-	-	-	-	114.6	-	-	97.0
72	204.2	192.1	-	197.4	176.5	-	168.6	-	-	-	-	-	-	-	114.6	-	-	97.0
79	191.3	180.3	-	190.2	168.3	-	167.4	146.4	-	-	-	-	-	-	114.5	-	-	97.0
85	-	171.3	160.1	180.1	161.2	-	164.3	143.4	-	-	-	-	-	-	113.5	-	-	97.0
92	-	161.8	151.9	165.9	154.1	145.3	158.5	139.9	-	-	-	-	-	-	112.4	-	-	97.0
98	-	-	144.9	142.7	147.1	138.2	151.5	135.8	-	-	-	-	-	-	112.4	110.3	-	97.0
105	-	-	134.4	-	138.8	132.2	136.6	131.1	123.4	127.8	120.1	-	-	-	111.3	108.0	-	95.8
111	-	-	-	-	130.8	125.2	119.5	127.1	119.4	122.8	118.1	-	-	-	110.3	106.0	-	94.8
118	-	-	-	-	-	116.9	99.5	120.2	115.7	112.5	113.6	105.8	-	-	105.8	103.6	-	93.7
124	-	-	-	-	-	-	110.9	-	-	-	-	-	-	-	101.8	101.6	-	91.7
131	-	-	-	-	-	-	-	107.1	102.7	91.8	105.9	99.3	-	-	95.0	99.2	90.4	88.3
138	-	-	-	-	-	-	-	-	96.8	77.8	100.1	95.7	-	-	87.9	95.8	89.2	85.8
144	-	-	-	-	-	-	-	-	92.8	-	95.1	91.7	-	-	81.9	92.7	87.2	81.8
151	-	-	-	-	-	-	-	-	-	-	90.3	85.9	-	-	72.6	88.1	84.8	77.1
157	-	-	-	-	-	-	-	-	-	-	-	81.8	-	-	63.5	84.1	80.7	73.0
164	-	-	-	-	-	-	-	-	-	-	-	77.1	-	-	79.3	76.0	76.0	66.1
177	-	-	-	-	-	-	-	-	-	-	-	-	-	-	68.4	68.4	68.4	50.4
190	-	-	-	-	-	-	-	-	-	-	-	-	-	-	-	-	-	60.6

ft	196.9 ft			216.5 ft			236.2 ft			255.9 ft			275.6 ft			295.3 ft			315.0 ft		
	83°	73°	65°	83°	73°	65°	83°	73°	65°	83°	73°	65°	83°	73°	65°	83°	73°	65°	83°	73°	65°
ft	1,000 lb																				
65	81.5	-	-	-	-	-	-	-	-	-	-	-	-	-	-	-	-	-	-	-	-
72	81.5	-	-	66.1	-	-	-	-	-	-	-	-	-	-	-	-	-	-	-	-	-
79	81.5	-	-	66.1	-	-	57.0	-	-	-	-	-	-	-	-	-	-	-	-	-	-
85	81.5	-	-	65.9	-	-	56.8	-	-	47.8	-	-	-	-	-	-	-	-	-	-	-
92	81.5	-	-	65.4	-	-	56.6	-	-	47.3	-	-	38.5	-	-	-	-	-	-	-	-
98	81.5	-	-	65.0	-	-	56.6	-	-	46.9	-	-	38.3	-	-	30.4	-	-	-	-	-
105	81.5	-	-	64.3	-	-	56.4	-	-	46.7	-	-	37.9	-	-	29.9	-	-	24.0	-	-
111	81.5	-	-	63.9	-	-	56.4	-	-	46.3	-	-	37.5	-	-	29.3	-	-	23.4	-	-
118	81.5	77.1	-	63.2	-	-	56.4	-	-	45.8	-	-	37.0	-	-	28.8	-	-	22.9	-	-
124	81.5	77.1	-	62.8	65.3	-	56.4	-	-	45.4	-	-	36.6	-	-	28.2	-	-	22.3	-	-
131	81.5	77.1	-	62.1	64.6	-	56.2	55.5	-	44.7	-	-	35.9	-	-	27.7	-	-	21.6	-	-
138	81.5	76.0	-	61.7	63.9	-	55.9	55.5	-	44.2	-	-	35.2	-	-	27.1	-	-	21.1	-	-
144	79.4	76.0	-	61.1	63.3	-	55.7	55.5	-	43.8	44.8	-	34.6	-	-	26.7	-	-	20.5	-	-
151	77.1	74.9	69.4	60.3	62.6	-	55.5	55.5	-	43.2	44.3	-	33.9	35.2	-	26.2	-	-	20.0	-	-
157	73.0	72.9	68.4	59.1	61.9	-	54.9	55.5	-	42.5	43.7	-	33.3	34.6	-	25.6	-	-	19.6	-	-
164	69.4	71.6	67.2	57.7	61.2	59.7	54.4	55.5	-	42.1	43.2	-	32.6	33.9	-	25.1	26.2	-	19.1	-	-
177	60.7	68.3	64.6	53.8	59.5	57.1	52.9	55.5	52.9	40.8	42.1	-	31.3	32.4	-	24.2	25.1	-	18.3	19.1	-
190	48.3	64.4	61.5	49.9	57.1	54.5	50.7	54.2	52.0	39.4	40.8	41.4	30.0	31.1	-	23.1	24.2	-	17.4	18.5	-
203	-	57.3	56.1	43.4	54.7	52.7	46.8	52.0	50.7	37.9	39.7	40.1	28.4	30.0	31.1	22.2	23.3	-	16.7	17.6	-
216	-	-	51.7	-	51.2	49.9	38.7	49.9	48.5	36.6	38.6	38.8	27.3	28.7	29.8	21.6	22.5	23.8	16.1	16.7	17.9
229	-	-	-	-	41.3	46.0	30.4	45.8	44.7	34.7	37.3	37.7	26.2	27.6	28.7	20.7	21.6	22.7	15.4	16.1	16.8
243	-	-	-	-	-	-	-	37.3	40.9	27.6	36.1	36.5	25.3	26.6	27.5	20.0	20.7	21.5	14.7	15.4	15.6
256	-	-	-	-	-	-	-	-	38.1	-	34.5	35.4	24.4	25.7	26.4	19.3	20.0	20.7	14.1	14.7	14.7
269	-	-	-	-	-	-	-	-	-	-	-	34.3	19.4	24.9	25.5	18.7	19.4	20.0	13.4	14.1	13.8
282	-	-	-	-	-	-	-	-	-	-	-	-	24.2	24.9	17.4	18.7	19.1	12.7	13.4	13.2	
295	-	-	-	-	-	-	-	-	-	-	-	-	-	24.2	-	18.3	18.7	12.3	12.8	12.7	
308	-	-	-	-	-	-	-	-	-	-	-	-	-	-	-	-	-	18.1	11.0	12.1	12.1
321	-	-	-	-	-	-	-	-	-	-	-	-	-	-	-	-	-	-	-	11.7	11.9

Remarks

*Incl. 13.1 ft adapter

Counterweight 132,300 lb 176,400 lb 220,500 lb 264,600 lb 308,700 lb 352,800 lb

Max. capacities with minimum counterweight

Further counterweight configurations on request

Lifting capacities luffing fly jib, main boom 83° to 65°

Main boom: 96.8 ft*



360°

DIN/ISO

Radius	78.7 ft			98.4 ft			118.1 ft			137.8 ft			157.5 ft			177.2 ft		
	83°	73°	65°	83°	73°	65°	83°	73°	65°	83°	73°	65°	83°	73°	65°	83°	73°	65°
ft	1,000 lb																	
46	244.5	-	-	203.9	-	-	-	-	-	-	-	-	-	-	-	-	-	-
52	234.5	-	-	201.8	-	-	167.5	-	-	-	-	-	-	-	-	-	-	-
59	219.4	-	-	196.2	-	-	167.5	-	-	133.3	-	-	108.0	-	-	-	-	-
65	203.3	-	-	190.2	-	-	167.5	-	-	133.3	-	-	108.0	-	-	-	90.3	-
72	183.5	167.8	-	181.0	-	-	166.4	-	-	133.3	-	-	108.0	-	-	-	90.3	-
79	168.0	156.1	-	171.6	149.5	-	162.9	-	-	132.2	-	-	108.0	-	-	-	90.3	-
85	-	148.1	-	163.5	141.5	-	157.8	135.9	-	131.2	-	-	108.0	-	-	-	90.3	-
92	-	141.0	-	153.0	133.2	-	151.9	127.7	-	130.0	-	-	108.0	-	-	-	90.3	-
98	-	137.9	121.6	144.9	127.1	-	144.9	122.7	-	128.9	117.1	-	108.0	-	-	-	90.3	-
105	-	-	115.7	-	122.3	110.2	134.4	117.9	-	125.6	111.3	-	108.0	105.8	-	-	90.3	-
111	-	-	111.7	-	118.3	105.1	125.3	113.9	103.9	122.6	107.2	-	108.0	101.7	-	-	90.3	89.3
118	-	-	-	-	115.7	100.3	106.1	111.3	99.2	114.7	103.6	-	105.8	97.0	-	-	90.3	88.2
124	-	-	-	-	-	97.3	-	108.3	94.2	107.7	99.6	90.7	103.8	94.0	-	-	90.3	86.2
131	-	-	-	-	-	94.8	-	104.8	90.5	97.3	96.0	87.2	98.3	90.5	-	-	88.2	84.9
138	-	-	-	-	-	-	-	99.0	87.0	83.3	93.6	82.6	92.4	87.0	79.2	-	86.9	82.6
144	-	-	-	-	-	-	-	-	86.0	-	91.6	80.5	87.3	84.9	76.2	-	82.9	81.6
151	-	-	-	-	-	-	-	-	83.7	-	87.0	77.1	77.0	83.7	72.7	-	78.2	79.3
157	-	-	-	-	-	-	-	-	-	-	83.0	75.1	66.9	81.7	70.7	-	74.1	78.3
164	-	-	-	-	-	-	-	-	-	-	-	73.8	-	77.1	68.3	-	69.4	76.0
177	-	-	-	-	-	-	-	-	-	-	-	-	-	69.5	65.7	-	53.5	68.4
190	-	-	-	-	-	-	-	-	-	-	-	-	-	-	60.0	-	-	62.5
203	-	-	-	-	-	-	-	-	-	-	-	-	-	-	-	-	-	53.5

ft	196.9 ft			216.5 ft			236.2 ft			255.9 ft			275.6 ft			295.3 ft			315.0 ft			
	83°	73°	65°	83°	73°	65°	83°	73°	65°	83°	73°	65°	83°	73°	65°	83°	73°	65°	83°	73°	65°	
72	79.3	-	-	-	-	-	-	-	-	-	-	-	-	-	-	-	-	-	-	-	-	-
79	79.3	-	-	61.7	-	-	-	-	-	-	-	-	-	-	-	-	-	-	-	-	-	-
85	79.3	-	-	61.7	-	-	52.9	-	-	46.2	-	-	-	-	-	-	-	-	-	-	-	-
92	79.3	-	-	61.7	-	-	52.9	-	-	46.2	-	-	37.4	-	-	-	-	-	-	-	-	-
98	79.3	-	-	61.7	-	-	52.9	-	-	46.2	-	-	37.2	-	-	29.7	-	-	-	-	-	-
105	79.3	-	-	61.7	-	-	52.9	-	-	46.2	-	-	37.2	-	-	29.3	-	-	22.9	-	-	-
111	79.3	-	-	61.7	-	-	52.9	-	-	46.2	-	-	37.0	-	-	28.9	-	-	22.7	-	-	-
118	79.3	-	-	61.5	-	-	52.9	-	-	46.2	-	-	36.8	-	-	28.4	-	-	22.2	-	-	-
124	79.3	76.0	-	61.5	-	-	52.9	-	-	46.2	-	-	36.6	-	-	28.0	-	-	21.8	-	-	-
131	79.3	74.9	-	61.2	65.0	-	52.9	-	-	45.8	-	-	36.5	-	-	27.5	-	-	21.4	-	-	-
138	79.3	74.9	-	61.0	64.5	-	52.9	51.8	-	45.6	-	-	36.3	-	-	27.1	-	-	20.9	-	-	-
144	78.3	74.9	-	61.0	64.3	-	52.9	51.8	-	45.2	-	-	35.7	-	-	26.7	-	-	20.5	-	-	-
151	77.1	73.8	-	60.8	63.9	-	52.9	51.8	-	44.5	45.8	-	35.0	-	-	26.2	-	-	20.0	-	-	-
157	74.1	72.8	63.7	60.2	63.5	-	52.9	51.8	-	44.1	45.4	-	34.4	36.2	-	25.8	-	-	19.8	-	-	-
164	70.5	72.7	62.6	59.5	62.8	-	52.9	51.8	-	43.4	44.9	-	33.7	35.4	-	25.3	26.4	-	19.4	-	-	-
177	63.1	68.4	60.4	56.6	61.7	56.7	52.0	51.8	-	42.3	43.8	-	32.4	33.9	-	24.4	25.5	-	18.5	19.6	-	-
190	50.9	62.5	58.0	53.8	60.2	53.4	49.4	51.8	49.4	41.2	42.7	-	31.1	32.6	-	23.6	24.4	-	17.6	18.7	-	-
203	-	57.2	53.5	45.2	55.4	50.5	46.8	50.9	47.8	40.1	41.7	42.1	30.0	31.5	33.1	22.7	23.6	-	16.7	17.8	-	-
216	-	49.2	49.1	35.0	50.8	47.1	40.3	49.4	45.7	39.0	40.6	41.0	29.1	30.4	31.8	21.8	22.9	24.0	15.9	17.0	-	-
229	-	-	45.3	-	45.2	43.4	32.1	45.6	42.0	36.0	39.3	39.9	28.0	29.3	30.4	20.9	22.0	22.9	15.2	16.1	17.2	-
243	-	-	-	-	40.0	-	-	40.6	38.5	28.9	38.1	38.7	27.1	28.4	29.3	20.0	21.1	22.0	14.3	15.4	16.3	-
256	-	-	-	-	-	-	-	35.6	31.7	21.7	36.9	35.9	26.1	27.3	28.2	19.3	20.4	21.1	13.6	14.7	15.4	-
269	-	-	-	-	-	-	-	-	-	30.2	33.0	20.5	26.6	27.3	18.7	19.8	20.5	13.0	13.8	14.5	-	-
282	-	-	-	-	-	-	-	-	-	-	30.6	-	25.8	26.4	18.0	18.9	19.6	12.3	13.2	13.8	-	-
295	-	-	-	-	-	-	-	-	-	-	-	-	25.8	-	18.3	18.9	19.6	11.6	12.5	13.2	-	-
308	-	-	-	-	-	-	-	-	-	-	-	-	-	-	17.6	18.3	18.9	11.2	11.9	12.5	-	-
321	-	-	-	-	-	-	-	-	-	-	-	-	-	-	-	17.6	-	-	11.4	11.9	-	-
334	-	-	-	-	-	-	-	-	-	-	-	-	-	-	-	-	-	-	-	11.2	-	-

Remarks

*Incl. 13.1 ft adapter

Counterweight 132,300 lb 176,400 lb 220,500 lb 264,600 lb 308,700 lb 352,800 lb

Max. capacities with minimum counterweight

Further counterweight configurations on request

Lifting capacities luffing fly jib, main boom 83° to 65°

Main boom: 113.1 ft*



360°

DIN/ISO

Radius	Fly jib																	
	78.7 ft			98.4 ft			118.1 ft			137.8 ft			157.5 ft			177.2 ft		
	83°	73°	65°	83°	73°	65°	83°	73°	65°	83°	73°	65°	83°	73°	65°	83°	73°	65°
ft	1,000 lb																	
52	206.1	-	-	177.4	-	-	136.6	-	-	-	-	-	-	-	-	-	-	-
59	191.9	-	-	173.1	-	-	136.6	-	-	110.2	-	-	-	-	-	-	-	-
65	180.8	-	-	168.0	-	-	136.6	-	-	110.2	-	-	88.1	-	-	-	-	-
72	170.0	-	-	160.0	-	-	135.6	-	-	110.2	-	-	88.1	-	-	73.8	-	-
79	161.8	136.3	-	150.6	-	-	133.2	-	-	110.1	-	-	88.1	-	-	73.8	-	-
85	156.7	128.2	-	143.6	124.8	-	130.2	-	-	109.1	-	-	88.1	-	-	73.8	-	-
92	-	121.1	-	136.5	117.8	-	126.6	107.9	-	108.0	-	-	88.1	-	-	73.8	-	-
98	-	116.1	-	131.5	113.8	-	122.6	102.8	-	108.0	-	-	88.1	-	-	73.8	-	-
105	-	112.4	99.2	130.0	109.1	-	117.9	96.9	-	106.9	93.6	-	88.1	-	-	73.8	-	-
111	-	-	95.1	-	105.0	92.9	112.8	92.9	-	105.9	89.6	-	88.1	85.1	-	73.8	-	-
118	-	-	91.5	-	101.4	88.2	107.0	90.4	-	101.4	86.0	-	88.1	81.6	-	73.8	73.8	-
124	-	-	-	-	98.4	85.2	93.9	87.3	77.6	97.4	83.0	-	88.1	78.6	-	73.8	71.8	-
131	-	-	-	-	-	81.6	-	86.0	73.9	92.7	79.4	71.8	84.9	75.0	-	73.8	69.5	-
138	-	-	-	-	-	79.2	-	85.9	70.5	87.7	77.1	67.1	81.4	72.6	-	73.7	68.2	-
144	-	-	-	-	-	-	-	85.9	69.5	74.6	76.1	65.5	78.4	70.6	62.9	71.7	66.2	-
151	-	-	-	-	-	-	-	-	67.2	-	73.8	62.8	75.9	68.3	59.9	69.4	65.4	-
157	-	-	-	-	-	-	-	-	66.2	-	72.8	61.1	70.9	67.3	57.7	67.4	64.2	56.6
164	-	-	-	-	-	-	-	-	-	-	72.7	59.3	59.3	66.1	55.3	65.0	62.8	54.2
177	-	-	-	-	-	-	-	-	-	-	-	58.2	-	65.2	52.2	56.3	60.6	50.3
190	-	-	-	-	-	-	-	-	-	-	-	-	-	50.5	-	58.9	47.4	-
203	-	-	-	-	-	-	-	-	-	-	-	-	-	-	-	55.8	45.4	-
216	-	-	-	-	-	-	-	-	-	-	-	-	-	-	-	-	44.3	-

ft	196.9 ft			216.5 ft			236.2 ft			255.9 ft			275.6 ft			295.3 ft			315.0 ft		
	83°	73°	65°	83°	73°	65°	83°	73°	65°	83°	73°	65°	83°	73°	65°	83°	73°	65°	83°	73°	65°
72	66.1	-	-	-	-	-	-	-	-	-	-	-	-	-	-	-	-	-	-	-	-
79	66.1	-	-	51.3	-	-	-	-	-	-	-	-	-	-	-	-	-	-	-	-	-
85	66.1	-	-	51.3	-	-	44.5	-	-	-	-	-	-	-	-	-	-	-	-	-	-
92	66.1	-	-	51.3	-	-	44.5	-	38.8	-	-	-	-	-	-	-	-	-	-	-	-
98	66.1	-	-	51.3	-	-	44.5	-	38.8	-	31.3	-	-	-	-	-	-	-	-	-	-
105	66.1	-	-	51.3	-	-	44.5	-	38.8	-	31.3	-	25.5	-	-	-	-	-	-	-	-
111	66.1	-	-	51.3	-	-	44.5	-	38.8	-	31.3	-	25.1	-	-	19.6	-	-	-	-	-
118	66.1	-	-	51.3	-	-	44.5	-	38.8	-	31.0	-	24.9	-	-	19.4	-	-	-	-	-
124	66.1	-	-	51.1	-	-	44.5	-	38.8	-	31.0	-	24.7	-	-	19.0	-	-	-	-	-
131	66.1	61.5	-	51.1	-	-	44.5	-	38.5	-	31.0	-	24.4	-	-	18.7	-	-	-	-	-
138	66.1	61.0	-	51.1	56.6	-	44.5	-	38.5	-	30.8	-	24.0	-	-	18.2	-	-	-	-	-
144	65.9	60.2	-	50.9	55.6	-	44.5	43.4	-	38.3	-	30.6	-	-	18.0	-	-	-	-	-	-
151	65.8	59.5	-	50.9	54.6	-	44.5	43.4	-	38.1	-	30.4	-	-	17.6	-	-	-	-	-	-
157	64.2	58.9	-	50.7	53.6	-	44.5	43.2	-	37.9	37.9	-	30.2	-	-	17.4	-	-	-	-	-
164	62.6	57.9	50.2	50.7	52.6	-	44.5	43.2	-	37.7	37.7	-	29.9	30.2	-	16.9	-	-	-	-	-
177	59.3	56.2	47.8	49.1	50.7	46.5	44.3	42.9	-	37.0	37.2	-	29.3	29.5	-	16.3	-	-	-	-	-
190	52.8	54.2	45.6	47.6	48.9	43.5	43.2	42.7	40.1	36.6	36.8	-	28.6	28.8	-	15.6	16.7	-	-	-	-
203	-	52.3	43.5	46.1	47.4	40.4	41.9	42.3	38.2	35.9	36.1	34.4	28.0	28.4	-	15.0	15.9	-	-	-	-
216	-	49.9	41.7	36.7	46.1	38.4	40.6	41.4	36.2	35.3	35.5	32.9	27.3	27.8	26.7	14.3	15.2	-	-	-	-
229	-	-	39.9	-	44.6	37.3	33.2	40.6	34.6	34.6	34.8	31.3	26.7	27.3	25.6	19.8	20.7	20.9	13.7	14.5	-
243	-	-	-	-	-	36.1	-	39.6	33.4	29.8	33.9	30.1	26.0	26.8	24.2	19.1	20.0	20.0	12.9	13.8	14.9
256	-	-	-	-	-	35.0	-	35.2	32.3	22.8	33.0	29.0	25.1	26.4	23.1	18.5	19.6	19.1	12.3	13.2	14.3
269	-	-	-	-	-	-	-	31.0	-	31.9	28.2	21.3	26.0	22.0	17.8	18.9	18.3	11.9	12.7	13.6	-
282	-	-	-	-	-	-	-	-	-	-	27.3	-	25.5	21.1	17.4	18.3	17.6	11.2	12.1	13.0	-
295	-	-	-	-	-	-	-	-	-	-	-	-	24.0	20.3	13.9	17.6	16.7	11.0	11.6	12.3	-
308	-	-	-	-	-	-	-	-	-	-	-	-	-	19.6	-	17.2	16.1	10.5	11.2	11.7	-
321	-	-	-	-	-	-	-	-	-	-	-	-	-	-	-	15.2	-	10.8	11.2	-	-
334	-	-	-	-	-	-	-	-	-	-	-	-	-	-	-	-	-	10.5	10.6	-	-
348	-	-	-	-	-	-	-	-	-	-	-	-	-	-	-	-	-	-	-	10.1	-

Remarks

*Incl. 13.1 ft adapter

Counterweight 132,300 lb 176,400 lb 220,500 lb 264,600 lb 308,700 lb 352,800 lb

Max. capacities with minimum counterweight

Further counterweight configurations on request

MAIN MENU

CONTENTS

Lifting capacities luffing fly jib, main boom 83° to 65°

Main boom: 129.6 ft*



360°

DIN/ISO

Radius	78.7 ft			98.4 ft			118.1 ft			137.8 ft			157.5 ft			177.2 ft		
	83°	73°	65°	83°	73°	65°	83°	73°	65°	83°	73°	65°	83°	73°	65°	83°	73°	65°
ft	1,000 lb																	
52	180.4	-	-	148.9	-	-	-	-	-	-	-	-	-	-	-	-	-	-
59	169.8	-	-	146.6	-	-	120.1	-	-	-	-	-	-	-	-	-	-	-
65	160.7	-	-	143.6	-	-	120.1	-	-	99.2	-	-	78.2	-	-	-	-	-
72	150.1	-	-	137.9	-	-	120.1	-	-	99.2	-	-	78.2	-	-	66.1	-	-
79	141.9	-	-	132.0	-	-	117.8	-	-	99.2	-	-	78.2	-	-	66.1	-	-
85	136.9	111.5	-	127.0	-	-	115.8	-	-	99.2	-	-	78.2	-	-	66.1	-	-
92	-	105.7	-	122.2	100.1	-	112.3	-	-	98.1	-	-	78.2	-	-	66.1	-	-
98	-	100.6	-	119.2	95.1	-	110.3	91.7	-	98.1	-	-	78.2	-	-	66.1	-	-
105	-	96.9	-	117.9	90.3	-	109.1	87.0	-	96.9	-	-	78.2	-	-	66.1	-	-
111	-	-	80.7	-	87.3	-	107.1	83.0	-	95.9	80.8	-	78.2	-	-	66.1	-	-
118	-	-	77.2	-	83.8	71.6	105.8	79.4	-	94.8	77.2	-	78.2	72.7	-	66.1	-	-
124	-	-	73.2	-	81.7	69.6	100.8	76.4	-	93.8	74.1	-	78.2	70.7	-	66.1	66.3	-
131	-	-	-	-	-	66.2	-	73.9	64.7	73.9	64.7	-	77.2	67.3	-	66.1	63.8	-
138	-	-	-	-	-	64.5	-	72.7	61.4	89.9	68.2	-	77.1	65.4	-	66.1	61.4	-
144	-	-	-	-	-	63.1	-	72.7	59.4	78.8	66.2	56.5	76.1	63.6	-	65.9	59.8	-
151	-	-	-	-	-	-	-	-	57.0	-	65.0	53.7	74.9	61.2	51.7	65.6	57.7	-
157	-	-	-	-	-	-	-	-	55.8	-	63.8	51.9	73.9	60.0	49.5	65.2	56.3	-
164	-	-	-	-	-	-	-	-	54.6	-	62.6	49.8	63.1	58.4	47.1	65.0	54.6	45.2
177	-	-	-	-	-	-	-	-	-	-	-	47.8	-	56.8	43.6	58.7	52.2	41.4
190	-	-	-	-	-	-	-	-	-	-	-	-	-	-	41.7	-	50.7	38.6
203	-	-	-	-	-	-	-	-	-	-	-	-	-	-	40.8	-	49.6	36.4
216	-	-	-	-	-	-	-	-	-	-	-	-	-	-	-	-	-	35.1

ft	196.9 ft			216.5 ft			236.2 ft			255.9 ft			275.6 ft			295.3 ft			315.0 ft			
	83°	73°	65°	83°	73°	65°	83°	73°	65°	83°	73°	65°	83°	73°	65°	83°	73°	65°	83°	73°	65°	
79	59.5	-	-	-	-	-	-	-	-	-	-	-	-	-	-	-	-	-	-	-	-	-
85	59.5	-	-	46.2	-	-	-	-	-	-	-	-	-	-	-	-	-	-	-	-	-	-
92	59.5	-	-	46.2	-	-	40.7	-	-	35.2	-	-	-	-	-	-	-	-	-	-	-	-
98	59.5	-	-	46.2	-	-	40.7	-	-	35.2	-	-	28.6	-	-	-	-	-	-	-	-	-
105	59.5	-	-	46.2	-	-	40.7	-	-	35.2	-	-	28.6	-	-	24.2	-	-	-	-	-	-
111	59.5	-	-	46.2	-	-	40.7	-	-	35.2	-	-	28.6	-	-	24.0	-	-	-	18.7	-	-
118	59.5	-	-	46.2	-	-	40.7	-	-	35.2	-	-	28.6	-	-	24.0	-	-	-	18.5	-	-
124	59.5	-	-	46.2	-	-	40.7	-	-	35.2	-	-	28.6	-	-	23.8	-	-	-	18.3	-	-
131	59.5	-	-	46.2	-	-	40.7	-	-	35.2	-	-	28.6	-	-	23.8	-	-	-	17.8	-	-
138	59.5	54.1	-	46.2	-	-	40.7	-	-	35.2	-	-	28.6	-	-	23.5	-	-	-	17.6	-	-
144	59.5	52.9	-	46.2	54.3	-	40.7	-	-	35.2	-	-	28.6	-	-	23.3	-	-	-	17.4	-	-
151	59.5	51.7	-	46.2	52.2	-	40.7	39.6	-	35.2	-	-	28.6	-	-	23.1	-	-	-	17.1	-	-
157	59.3	50.7	-	46.2	50.6	-	40.7	39.6	-	35.2	-	-	28.6	-	-	23.1	-	-	-	16.7	-	-
164	58.8	49.6	-	46.2	48.7	-	40.7	39.4	-	35.2	33.7	-	28.6	-	-	22.9	-	-	-	16.5	-	-
177	58.2	47.6	41.0	46.2	45.6	-	40.7	39.2	-	35.2	33.7	-	28.6	27.5	-	22.4	-	-	-	15.8	-	-
190	54.5	45.8	38.4	46.2	43.2	37.3	40.7	38.8	-	35.2	33.7	-	28.6	27.5	-	22.0	22.7	-	-	15.2	16.3	-
203	41.6	44.3	36.0	46.2	41.0	34.0	40.7	38.1	32.9	35.2	33.7	-	28.6	27.5	-	21.6	22.2	-	-	14.5	15.6	-
216	-	43.2	34.0	38.2	39.5	31.4	40.7	37.5	30.3	35.0	33.7	28.5	28.2	27.5	-	21.1	21.8	-	-	13.9	15.0	-
229	-	-	32.4	-	38.4	29.4	34.2	36.6	27.9	35.0	33.1	26.7	27.6	27.5	23.2	20.5	21.4	-	-	13.4	14.3	-
243	-	-	31.0	-	37.6	28.2	24.7	35.4	25.9	30.7	32.3	24.8	26.6	27.1	21.8	20.0	20.9	-	-	12.7	13.6	-
256	-	-	-	-	27.5	-	34.3	24.6	23.7	31.7	23.5	25.9	26.4	20.4	19.6	20.5	19.3	12.3	13.2	14.3	-	-
269	-	-	-	-	-	-	-	23.8	-	31.0	22.4	21.8	25.7	19.4	18.9	20.0	18.3	11.9	12.7	13.8	-	-
282	-	-	-	-	-	-	-	23.3	-	27.8	21.6	-	25.3	18.3	18.5	19.4	17.4	11.4	12.3	13.2	-	-
295	-	-	-	-	-	-	-	-	-	20.9	-	24.7	17.2	14.4	18.9	16.5	11.2	11.9	12.7	-	-	-
308	-	-	-	-	-	-	-	-	-	-	-	-	16.3	-	18.3	15.6	11.0	11.6	12.1	-	-	-
321	-	-	-	-	-	-	-	-	-	-	-	-	15.4	-	17.8	14.5	-	11.4	11.7	-	-	-
334	-	-	-	-	-	-	-	-	-	-	-	-	-	-	-	13.7	-	11.2	11.0	-	-	-
348	-	-	-	-	-	-	-	-	-	-	-	-	-	-	-	-	-	-	-	-	-	10.3

Remarks

*Incl. 13.1 ft adapter

Counterweight 132,300 lb 176,400 lb 220,500 lb 264,600 lb 308,700 lb 352,800 lb

Max. capacities with minimum counterweight

Further counterweight configurations on request

Lifting capacities luffing fly jib, main boom 83° to 65°

Main boom: 146.0 ft*



360°

DIN/ISO

Fly jib

Radius	78.7 ft			98.4 ft			118.1 ft			137.8 ft			157.5 ft			177.2 ft		
	83°	73°	65°	83°	73°	65°	83°	73°	65°	83°	73°	65°	83°	73°	65°	83°	73°	65°
ft	1,000 lb																	
59	144.4	-	-	123.4	-	-	94.7	-	-	-	-	-	-	-	-	-	-	-
65	139.4	-	-	123.4	-	-	94.7	-	-	78.2	-	-	-	-	-	-	-	-
72	132.4	-	-	121.3	-	-	94.7	-	-	78.2	-	-	64.3	-	-	-	-	-
79	124.3	-	-	114.4	-	-	94.7	-	-	78.2	-	-	64.3	-	-	55.5	-	-
85	118.2	-	-	109.3	-	-	92.6	-	-	78.2	-	-	64.3	-	-	55.5	-	-
92	-	91.3	-	104.6	-	-	90.3	-	-	78.2	-	-	64.3	-	-	55.5	-	-
98	-	86.3	-	101.5	85.3	-	89.3	-	-	78.2	-	-	64.3	-	-	55.5	-	-
105	-	82.6	-	100.3	80.4	-	88.1	71.6	-	77.1	-	-	64.3	-	-	55.5	-	-
111	-	78.6	-	-	76.4	-	87.1	68.6	-	77.1	-	-	64.3	-	-	55.5	-	-
118	-	-	65.9	-	72.8	-	85.9	65.5	-	76.0	63.3	-	64.3	-	-	55.3	-	-
124	-	-	61.7	-	69.7	-	84.9	62.7	-	76.0	60.7	-	64.1	58.0	-	55.3	-	-
131	-	-	58.9	-	68.3	58.0	-	60.6	-	74.9	58.0	-	63.9	55.4	-	55.3	-	-
138	-	-	-	-	-	55.0	-	58.6	49.9	73.8	55.5	-	63.4	52.8	-	55.3	50.2	-
144	-	-	-	-	-	53.0	-	57.8	47.9	72.8	53.8	-	63.2	51.0	-	55.1	48.5	-
151	-	-	-	-	-	50.6	-	57.0	45.6	-	52.0	43.6	62.8	48.9	-	55.1	46.4	-
157	-	-	-	-	-	-	-	-	44.4	-	51.0	42.0	62.2	47.5	-	54.9	45.0	-
164	-	-	-	-	-	-	-	-	42.7	-	50.0	40.1	61.7	45.8	37.9	54.4	43.4	-
177	-	-	-	-	-	-	-	-	-	-	-	37.5	-	43.8	34.6	54.0	41.0	33.5
190	-	-	-	-	-	-	-	-	-	-	-	36.1	-	42.7	32.2	-	39.2	30.7
203	-	-	-	-	-	-	-	-	-	-	-	-	-	30.6	-	-	38.1	28.5
216	-	-	-	-	-	-	-	-	-	-	-	-	-	-	-	-	-	26.9
229	-	-	-	-	-	-	-	-	-	-	-	-	-	-	-	-	-	26.0

ft	196.9 ft			216.5 ft			236.2 ft			255.9 ft			275.6 ft			295.3 ft			315.0 ft			
	83°	73°	65°	83°	73°	65°	83°	73°	65°	83°	73°	65°	83°	73°	65°	83°	73°	65°	83°	73°	65°	
79	48.2	-	-	-	-	-	-	-	-	-	-	-	-	-	-	-	-	-	-	-	-	-
85	48.2	-	-	37.4	-	-	-	-	-	-	-	-	-	-	-	-	-	-	-	-	-	-
92	48.2	-	-	37.4	-	-	31.5	-	-	-	-	-	-	-	-	-	-	-	-	-	-	-
98	48.2	-	-	37.4	-	-	31.5	-	27.7	-	-	-	-	-	-	-	-	-	-	-	-	-
105	48.2	-	-	37.4	-	-	31.5	-	27.7	-	22.0	-	-	-	-	-	-	-	-	-	-	-
111	48.2	-	-	37.4	-	-	31.5	-	27.5	-	22.0	-	18.2	-	-	-	-	-	-	-	-	-
118	48.2	-	-	37.4	-	-	31.5	-	27.5	-	22.0	-	18.2	-	-	13.8	-	-	-	-	-	-
124	48.2	-	-	37.4	-	-	31.5	-	27.3	-	22.0	-	18.1	-	-	13.6	-	-	-	-	-	-
131	48.2	-	-	37.4	-	-	31.5	-	27.3	-	22.0	-	18.0	-	-	13.4	-	-	-	-	-	-
138	48.2	-	-	37.4	-	-	31.5	-	27.3	-	22.0	-	18.0	-	-	13.0	-	-	-	-	-	-
144	48.2	43.2	-	37.4	-	-	31.5	-	27.3	-	22.0	-	17.8	-	-	12.7	-	-	-	-	-	-
151	48.2	42.0	-	37.4	42.0	-	31.5	-	27.3	-	22.0	-	17.8	-	-	12.5	-	-	-	-	-	-
157	48.2	41.0	-	37.4	40.8	-	31.5	-	27.3	-	22.0	-	17.8	-	-	12.3	-	-	-	-	-	-
164	48.0	39.9	-	37.4	39.4	-	31.5	30.2	-	27.3	-	22.0	-	17.6	-	12.1	-	-	-	-	-	-
177	47.6	37.9	-	37.4	37.0	-	31.5	29.7	-	27.3	27.5	-	22.0	20.9	-	11.6	-	-	-	-	-	-
190	47.1	36.4	30.0	37.4	34.4	-	31.5	29.3	-	27.3	26.9	-	22.0	20.9	-	11.2	-	-	-	-	-	-
203	43.3	35.0	27.8	37.4	32.6	26.9	31.5	28.8	-	27.1	26.4	-	22.0	20.9	-	10.8	11.6	-	-	-	-	-
216	-	33.9	26.0	37.4	31.5	24.5	31.5	28.2	23.0	27.1	25.8	-	21.8	20.9	-	10.3	11.2	-	-	-	-	-
229	-	33.1	24.5	-	30.4	22.3	31.5	27.3	21.0	27.1	25.1	18.5	21.6	20.9	17.0	16.7	16.7	-	10.1	10.8	-	-
243	-	-	23.3	-	29.3	21.3	26.1	26.4	18.7	27.0	24.4	16.9	21.1	20.9	15.6	16.3	16.5	15.1	9.6	10.5	-	-
256	-	-	-	-	20.4	-	25.7	18.0	24.4	23.8	15.8	20.9	20.5	14.5	16.0	16.0	13.8	9.4	10.1	-	-	-
269	-	-	-	-	19.6	-	24.9	17.1	-	23.1	14.9	20.5	20.2	13.4	15.8	15.8	13.0	9.2	9.9	-	-	-
282	-	-	-	-	-	-	-	16.5	-	22.2	14.1	16.1	20.0	12.3	15.6	15.4	11.9	9.0	9.4	-	-	-
295	-	-	-	-	-	-	-	-	-	-	13.6	-	19.8	11.6	14.7	15.0	11.0	8.8	9.2	-	-	-
308	-	-	-	-	-	-	-	-	-	-	13.4	-	19.4	11.0	-	14.5	10.3	8.6	9.0	-	-	-
321	-	-	-	-	-	-	-	-	-	-	-	-	-	10.6	-	14.1	9.5	8.3	8.8	-	-	-
334	-	-	-	-	-	-	-	-	-	-	-	-	-	-	-	9.0	-	8.6	-	-	-	-
348	-	-	-	-	-	-	-	-	-	-	-	-	-	-	-	8.3	-	8.3	-	-	-	-

Remarks

*Incl. 13.1 ft adapter

Counterweight 132,300 lb 176,400 lb 220,500 lb 264,600 lb 308,700 lb 352,800 lb

Max. capacities with minimum counterweight

Further counterweight configurations on request

Lifting capacities luffing fly jib, main boom 83° to 65°

Main boom: 162.4 ft*



360°

DIN/ISO

Radius	78.7 ft			98.4 ft			118.1 ft			137.8 ft			157.5 ft			177.2 ft		
	83°	73°	65°	83°	73°	65°	83°	73°	65°	83°	73°	65°	83°	73°	65°	83°	73°	65°
ft	1,000 lb																	
65	113.7	-	-	99.2	-	-	79.3	-	-	-	-	-	-	-	-	-	-	-
72	109.2	-	-	99.2	-	-	79.3	-	-	66.1	-	-	57.3	-	-	-	-	-
79	103.4	-	-	95.7	-	-	79.3	-	-	66.1	-	-	57.3	-	-	50.7	-	-
85	98.3	-	-	91.6	-	-	79.3	-	-	66.1	-	-	57.3	-	-	50.7	-	-
92	93.6	-	-	88.1	-	-	77.1	-	-	66.1	-	-	57.3	-	-	50.7	-	-
98	-	-	-	86.1	-	-	77.1	-	-	66.1	-	-	57.3	-	-	50.7	-	-
105	-	71.6	-	84.8	67.2	-	76.0	-	-	66.1	-	-	57.0	-	-	50.7	-	-
111	-	67.6	-	82.8	64.2	-	75.0	60.8	-	66.1	-	-	57.0	-	-	50.7	-	-
118	-	65.2	-	-	61.1	-	74.9	57.5	-	66.1	-	-	56.8	-	-	50.7	-	-
124	-	-	-	-	58.6	-	73.9	54.9	-	66.1	52.7	-	56.6	-	-	50.5	-	-
131	-	-	49.2	-	56.7	-	73.8	52.5	-	65.7	50.1	-	56.4	47.9	-	50.4	-	-
138	-	-	46.4	-	54.8	44.9	-	50.4	-	65.4	47.5	-	56.2	45.3	-	50.4	-	-
144	-	-	-	-	-	43.3	-	49.2	-	65.0	45.9	-	55.8	43.5	-	50.2	42.2	-
151	-	-	-	-	-	41.4	-	48.0	38.3	64.8	43.8	-	55.5	41.4	-	50.2	40.1	-
157	-	-	-	-	-	40.2	-	47.6	36.9	-	42.8	-	55.1	39.8	-	50.0	38.6	-
164	-	-	-	-	-	-	-	-	35.2	-	41.4	33.7	54.8	38.1	-	49.8	36.8	-
177	-	-	-	-	-	-	-	-	33.5	-	39.9	31.3	-	35.7	28.7	49.1	34.2	-
190	-	-	-	-	-	-	-	-	-	-	29.3	-	34.2	26.2	45.9	32.2	25.6	-
203	-	-	-	-	-	-	-	-	-	-	-	-	-	24.3	-	30.6	23.4	-
216	-	-	-	-	-	-	-	-	-	-	-	-	-	22.9	-	30.0	21.8	-
229	-	-	-	-	-	-	-	-	-	-	-	-	-	-	-	-	20.5	-

ft	196.9 ft			216.5 ft			236.2 ft			255.9 ft			275.6 ft			295.3 ft			315.0 ft			
	83°	73°	65°	83°	73°	65°	83°	73°	65°	83°	73°	65°	83°	73°	65°	83°	73°	65°	83°	73°	65°	
85	41.8	-	-	-	-	-	-	-	-	-	-	-	-	-	-	-	-	-	-	-	-	-
92	41.8	-	-	32.4	-	-	-	-	-	-	-	-	-	-	-	-	-	-	-	-	-	-
98	41.8	-	-	32.4	-	25.3	-	23.3	-	-	-	-	-	-	-	-	-	-	-	-	-	-
105	41.8	-	-	32.4	-	25.3	-	23.1	-	-	-	-	-	-	-	-	-	-	-	-	-	-
111	41.8	-	-	32.4	-	25.3	-	22.9	-	17.6	-	-	-	-	-	-	-	-	-	-	-	-
118	41.8	-	-	32.4	-	25.3	-	22.7	-	17.6	-	-	14.3	-	-	10.8	-	-	-	-	-	-
124	41.8	-	-	32.4	-	25.3	-	22.5	-	17.6	-	-	14.3	-	-	10.6	-	-	-	-	-	-
131	41.8	-	-	32.4	-	25.3	-	22.4	-	17.6	-	-	14.3	-	-	10.1	-	-	-	-	-	-
138	41.8	-	-	32.4	-	25.3	-	22.2	-	17.6	-	-	14.3	-	-	9.9	-	-	-	-	-	-
144	41.8	-	-	32.4	-	25.3	-	22.0	-	17.6	-	-	14.3	-	-	9.7	-	-	-	-	-	-
151	41.8	37.0	-	32.4	-	25.3	-	22.0	-	17.6	-	-	14.3	-	-	9.4	-	-	-	-	-	-
157	41.8	36.0	-	32.4	-	25.3	-	22.0	-	17.6	-	-	14.3	-	-	9.2	-	-	-	-	-	-
164	41.8	34.8	-	32.4	32.8	-	25.3	-	22.0	-	17.6	-	14.3	-	-	9.0	-	-	-	-	-	-
177	41.8	32.8	-	32.4	30.4	-	25.3	23.8	-	22.0	24.9	-	14.3	-	-	8.6	-	-	-	-	-	-
190	41.8	31.1	-	32.4	28.4	-	25.3	23.3	-	22.0	23.6	-	17.6	16.5	-	8.3	-	-	-	-	-	-
203	41.8	29.5	22.7	32.4	26.7	-	25.3	22.7	-	22.0	22.3	-	17.6	16.5	-	8.1	8.8	-	-	-	-	-
216	-	28.2	20.8	32.4	25.1	19.0	25.3	22.0	17.5	22.0	20.9	-	17.6	16.5	-	7.9	8.6	-	-	-	-	-
229	-	27.3	19.2	32.4	23.8	17.0	25.3	21.4	15.3	22.0	19.8	11.9	17.6	16.5	-	7.7	8.3	-	-	-	-	-
243	-	-	18.0	-	22.9	15.6	25.3	20.7	13.4	22.0	18.7	10.5	17.6	16.5	11.2	7.7	8.1	-	-	-	-	-
256	-	-	16.9	-	22.2	14.5	-	19.8	12.1	22.0	17.8	9.4	17.6	16.0	9.9	7.4	7.9	-	-	-	-	-
269	-	-	-	-	13.6	-	-	18.7	11.0	17.2	16.9	8.6	17.6	15.4	8.6	7.4	7.7	-	-	-	-	-
282	-	-	-	-	-	-	-	10.3	-	16.3	8.1	16.7	14.9	7.7	14.3	12.5	7.9	7.2	7.4	-	-	-
295	-	-	-	-	-	-	-	9.9	-	15.6	7.5	-	14.3	7.0	14.3	12.3	6.8	7.2	7.4	-	-	-
308	-	-	-	-	-	-	-	-	-	-	7.2	-	13.6	6.4	9.4	12.1	5.9	7.0	7.2	-	-	-
321	-	-	-	-	-	-	-	-	-	-	-	-	-	6.1	-	11.9	5.3	6.6	7.0	-	-	-
334	-	-	-	-	-	-	-	-	-	-	-	-	-	6.1	-	-	4.8	-	6.8	-	-	-
348	-	-	-	-	-	-	-	-	-	-	-	-	-	-	-	4.4	-	6.6	-	-	-	-

Remarks

*Incl. 13.1 ft adapter

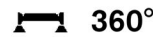
Counterweight 132,300 lb 176,400 lb 220,500 lb 264,600 lb 308,700 lb 352,800 lb

Max. capacities with minimum counterweight

Further counterweight configurations on request

Lifting capacities luffing fly jib, main boom 83° to 65°

Main boom: 178.8 ft*



DIN/ISO

Radius	78.7 ft			98.4 ft			118.1 ft			137.8 ft			157.5 ft			177.2 ft		
	83°	73°	65°	83°	73°	65°	83°	73°	65°	83°	73°	65°	83°	73°	65°	83°	73°	65°
ft	1,000 lb																	
65	83.7	-	-	71.8	-	-	58.6	-	-	-	-	-	-	-	-	-	-	-
72	82.7	-	-	69.5	-	-	58.6	-	-	48.7	-	-	-	-	-	-	-	-
79	80.4	-	-	68.3	-	-	58.6	-	-	48.7	-	-	44.5	-	-	-	-	-
85	79.4	-	-	68.3	-	-	58.6	-	-	48.7	-	-	44.5	-	-	37.6	-	-
92	77.1	-	-	68.3	-	-	58.1	-	-	48.7	-	-	44.5	-	-	37.6	-	-
98	-	-	-	68.3	-	-	57.7	-	-	48.7	-	-	44.5	-	-	37.6	-	-
105	-	59.2	-	67.2	-	-	57.5	-	-	48.7	-	-	44.3	-	-	37.6	-	-
111	-	56.4	-	66.2	54.4	-	57.1	-	-	48.7	-	-	44.1	-	-	37.6	-	-
118	-	53.8	-	-	51.8	-	56.8	-	-	48.7	-	-	43.6	-	-	37.4	-	-
124	-	51.8	-	-	49.6	-	56.7	43.6	-	48.7	-	-	43.2	-	-	37.4	-	-
131	-	-	-	-	47.4	-	56.4	41.7	-	48.7	39.5	-	42.9	-	-	37.4	-	-
138	-	-	-	-	45.3	-	-	39.8	-	48.4	37.4	-	42.5	35.4	-	37.4	-	-
144	-	-	-	-	44.1	37.6	-	38.6	-	48.2	36.0	-	42.1	33.8	-	37.4	-	-
151	-	-	-	-	-	35.2	-	37.2	-	48.2	34.3	-	41.8	31.9	-	37.4	30.6	-
157	-	-	-	-	-	33.8	-	36.6	29.6	-	33.3	-	41.4	30.7	-	37.2	29.4	-
164	-	-	-	-	-	31.9	-	35.9	28.2	-	31.9	-	41.2	29.1	-	37.0	28.0	-
177	-	-	-	-	-	-	-	-	26.2	-	30.6	24.2	-	27.1	-	36.6	25.8	-
190	-	-	-	-	-	-	-	-	-	-	-	22.5	-	25.6	20.1	36.3	24.0	-
203	-	-	-	-	-	-	-	-	-	-	-	21.2	-	24.7	18.3	-	22.7	17.4
216	-	-	-	-	-	-	-	-	-	-	-	-	-	17.0	-	21.8	15.9	-
229	-	-	-	-	-	-	-	-	-	-	-	-	-	-	-	-	-	14.6
243	-	-	-	-	-	-	-	-	-	-	-	-	-	-	-	-	-	13.8

ft	196.9 ft			216.5 ft			236.2 ft			255.9 ft			275.6 ft			295.3 ft		
	83°	73°	65°	83°	73°	65°	83°	73°	65°	83°	73°	65°	83°	73°	65°	83°	73°	65°
ft	1,000 lb																	
85	29.7	-	-	-	-	-	-	-	-	-	-	-	-	-	-	-	-	-
92	29.7	-	-	22.7	-	-	-	-	-	-	-	-	-	-	-	-	-	-
98	29.7	-	-	22.7	-	-	-	-	-	-	-	-	-	-	-	-	-	-
105	29.7	-	-	22.7	-	-	17.1	-	-	14.5	-	-	-	-	-	-	-	-
111	29.7	-	-	22.7	-	-	17.1	-	-	14.3	-	-	10.5	-	-	-	-	-
118	29.7	-	-	22.7	-	-	17.1	-	-	14.3	-	-	10.5	-	-	-	-	-
124	29.7	-	-	22.7	-	-	17.1	-	-	14.3	-	-	10.5	-	-	-	-	-
131	29.7	-	-	22.7	-	-	17.1	-	-	14.1	-	-	10.5	-	-	-	-	-
138	29.7	-	-	22.7	-	-	17.1	-	-	14.1	-	-	10.5	-	-	-	-	-
144	29.7	-	-	22.7	-	-	17.1	-	-	13.9	-	-	10.5	-	-	-	-	-
151	29.7	-	-	22.7	-	-	17.1	-	-	13.8	-	-	10.5	-	-	-	-	-
157	29.7	26.7	-	22.7	-	-	17.1	-	-	13.8	-	-	10.5	-	-	-	-	-
164	29.7	25.8	-	22.7	-	-	17.1	-	-	13.8	-	-	10.5	-	-	-	-	-
177	29.7	24.0	-	22.7	21.6	-	17.1	16.5	-	13.8	-	-	10.5	-	-	-	-	-
190	29.7	22.3	-	22.7	19.8	-	17.1	15.8	-	13.8	-	-	10.5	-	-	-	-	-
203	29.7	20.9	16.3	22.7	18.3	-	17.1	15.4	-	13.8	-	-	10.5	-	-	-	-	-
216	-	20.0	14.8	22.7	17.0	-	17.1	14.7	-	13.8	-	-	10.5	-	-	-	-	-
229	-	19.2	13.5	22.7	16.1	-	17.1	14.1	-	13.8	-	-	10.5	-	-	-	-	-
243	-	18.5	12.3	-	15.2	-	17.1	13.6	-	13.8	-	-	10.5	-	-	-	-	-
256	-	-	11.6	-	14.5	-	-	13.0	-	13.8	-	-	10.5	-	-	-	-	-
269	-	-	-	-	-	-	-	12.5	-	13.8	-	-	10.5	-	-	-	-	-
282	-	-	-	-	-	-	-	11.9	-	-	-	-	10.5	-	-	-	-	-

Remarks

*Incl. 13.1 ft adapter

Counterweight 132,300 lb 176,400 lb 220,500 lb 264,600 lb 308,700 lb 352,800 lb

Max. capacities with minimum counterweight

Further counterweight configurations on request

Lifting capacities luffing fly jib, main boom 83° to 65°

Main boom: 195.2 ft*



DIN/ISO

Fly jib

Radius	78.7 ft			98.4 ft			118.1 ft			137.8 ft			157.5 ft			177.2 ft		
	83°	73°	65°	83°	73°	65°	83°	73°	65°	83°	73°	65°	83°	73°	65°	83°	73°	65°
ft	1,000 lb																	
72	68.3	-	-	56.2	-	-	44.0	-	-	-	-	-	-	-	-	-	-	-
79	66.0	-	-	56.1	-	-	44.0	-	-	36.5	-	-	-	-	-	-	-	-
85	65.0	-	-	55.5	-	-	44.0	-	-	36.5	-	-	36.3	-	-	-	-	-
92	63.4	-	-	54.4	-	-	44.0	-	-	36.5	-	-	36.3	-	-	28.4	-	-
98	-	-	-	53.6	-	-	44.0	-	-	36.5	-	-	36.3	-	-	28.4	-	-
105	-	-	-	52.6	-	-	44.0	-	-	36.5	-	-	36.1	-	-	28.4	-	-
111	-	-	-	51.8	-	-	44.0	-	-	36.5	-	-	35.9	-	-	28.4	-	-
118	-	44.7	-	40.3	-	-	44.0	-	-	36.5	-	-	35.2	-	-	28.4	-	-
124	-	42.7	-	38.5	-	-	44.0	-	-	36.5	-	-	34.6	-	-	28.4	-	-
131	-	-	-	36.8	-	-	44.0	34.2	-	36.5	-	-	34.1	-	-	28.4	-	-
138	-	-	-	35.2	-	-	32.5	-	-	36.5	30.3	-	33.4	-	-	28.4	-	-
144	-	-	-	34.2	-	-	31.5	-	-	36.5	29.1	-	33.0	-	-	28.4	-	-
151	-	-	-	-	-	-	30.4	-	-	36.5	27.7	-	32.6	25.1	-	28.4	-	-
157	-	-	-	-	26.9	-	29.7	-	-	26.7	-	-	32.2	24.1	-	28.4	22.5	-
164	-	-	-	-	25.5	-	28.8	-	-	25.8	-	-	31.9	22.7	-	28.2	21.3	-
177	-	-	-	-	-	-	-	21.6	-	24.2	-	-	-	20.9	-	27.9	19.4	-
190	-	-	-	-	-	-	-	20.0	-	-	17.6	-	-	19.4	-	27.7	17.8	-
203	-	-	-	-	-	-	-	-	-	-	16.3	-	-	18.5	13.6	-	16.7	12.6
216	-	-	-	-	-	-	-	-	-	-	-	-	-	12.6	-	15.9	11.2	-
229	-	-	-	-	-	-	-	-	-	-	-	-	-	11.7	-	-	10.1	-
243	-	-	-	-	-	-	-	-	-	-	-	-	-	-	-	-	-	9.2

ft	196.9 ft			216.5 ft			236.2 ft			255.9 ft			275.6 ft			295.3 ft		
	83°	73°	65°	83°	73°	65°	83°	73°	65°	83°	73°	65°	83°	73°	65°	83°	73°	65°
ft	1,000 lb																	
92	20.9	-	-	-	-	-	-	-	-	-	-	-	-	-	-	-	-	-
98	20.9	-	-	15.4	-	-	-	-	-	-	-	-	-	-	-	-	-	-
105	20.9	-	-	14.4	-	-	11.0	-	-	-	-	-	-	-	-	-	-	-
111	20.9	-	-	15.4	-	-	11.0	-	-	7.2	-	-	-	-	-	-	-	-
118	20.9	-	-	15.4	-	-	11.0	-	-	7.2	-	-	4.4	-	-	-	-	-
124	20.9	-	-	15.4	-	-	11.0	-	-	7.2	-	-	4.4	-	-	-	-	-
131	20.9	-	-	15.4	-	-	11.0	-	-	7.2	-	-	4.4	-	-	-	-	-
138	20.9	-	-	15.4	-	-	11.0	-	-	7.2	-	-	4.4	-	-	-	-	-
144	20.9	-	-	15.4	-	-	11.0	-	-	7.2	-	-	4.4	-	-	-	-	-
151	20.9	-	-	15.4	-	-	11.0	-	-	7.2	-	-	4.4	-	-	-	-	-
157	20.9	-	-	15.4	-	-	11.0	-	-	7.2	-	-	4.4	-	-	-	-	-
164	20.9	19.4	-	15.4	-	-	11.0	-	-	7.2	-	-	4.4	-	-	-	-	-
177	20.9	17.6	-	15.4	13.6	-	11.0	-	-	7.2	-	-	4.4	-	-	-	-	-
190	20.9	16.3	-	15.4	12.3	-	11.0	10.3	-	7.2	-	-	4.4	-	-	-	-	-
203	20.9	15.0	-	15.4	11.2	-	11.0	9.5	-	7.2	-	-	4.4	-	-	-	-	-
216	-	13.9	10.1	15.4	10.1	-	11.0	8.8	-	7.2	-	-	4.4	-	-	-	-	-
229	-	13.2	8.8	15.4	9.0	-	11.0	8.3	-	7.2	-	-	4.4	-	-	-	-	-
243	-	12.5	7.9	-	8.1	-	11.0	7.7	-	7.2	-	-	4.4	-	-	-	-	-
256	-	-	7.2	-	7.4	-	-	7.2	-	7.2	-	-	4.4	-	-	-	-	-
269	-	-	6.6	-	-	-	-	6.8	-	7.2	-	-	4.4	-	-	-	-	-
282	-	-	-	-	-	-	-	6.6	-	-	-	-	4.4	-	-	-	-	-

Remarks

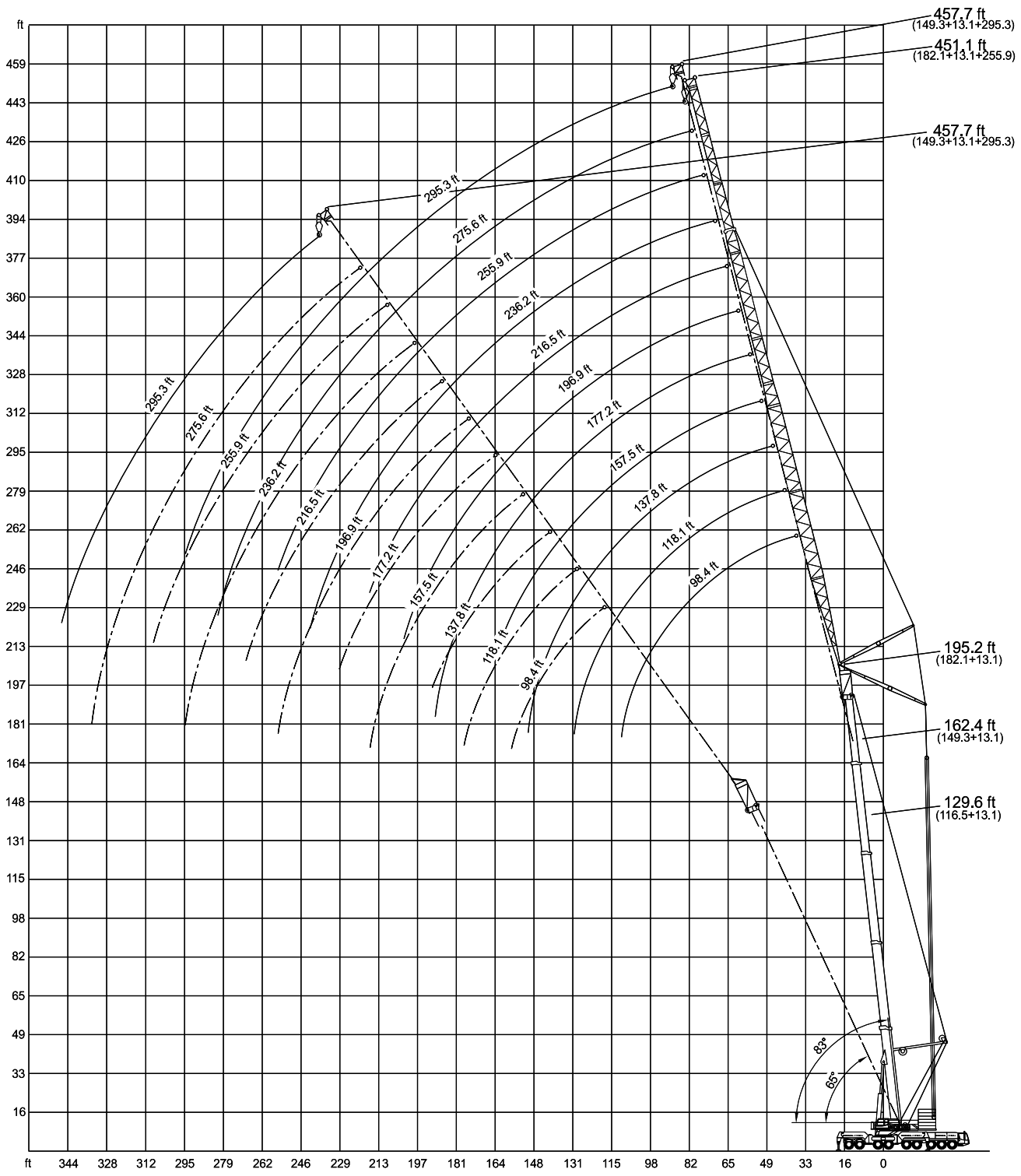
*Incl. 13.1 ft adapter

Counterweight 132,300 lb 176,400 lb 220,500 lb 264,600 lb 308,700 lb 352,800 lb

Max. capacities with minimum counterweight

Further counterweight configurations on request

Working ranges luffing fly jib with SL, main boom 83° to 65°



Lifting capacities luffing fly jib with SL, main boom 83° to 65°

Main boom: 129.6 ft*



360°

DIN/ISO

Radius	Fly jib														
	98.4 ft			118.1 ft			137.8 ft			157.5 ft			177.2 ft		
	0°	20°	40°	0°	20°	40°	0°	20°	40°	0°	20°	40°	0°	20°	40°
ft	1,000 lb														
52	147.7	-	-	120.1	-	-	-	-	-	-	-	-	-	-	-
59	147.7	-	-	120.1	-	-	99.2	-	-	-	-	-	-	-	-
65	147.7	-	-	120.1	-	-	99.2	-	-	78.2	-	-	-	-	-
72	145.5	-	-	120.1	-	-	99.2	-	-	78.2	-	-	66.1	-	-
79	143.2	-	-	119.0	-	-	99.2	-	-	78.2	-	-	66.1	-	-
85	141.1	-	-	117.9	-	-	99.2	-	-	78.2	-	-	66.1	-	-
92	130.9	136.5	-	116.7	-	-	99.2	-	-	78.2	-	-	66.1	-	-
98	121.9	132.5	-	114.7	114.7	-	99.2	-	-	78.2	-	-	66.1	-	-
105	111.3	126.7	-	108.0	112.4	-	98.1	99.2	-	78.2	-	-	66.1	-	-
111	-	120.7	-	102.9	109.4	-	98.1	98.1	-	78.2	-	-	66.1	-	-
118	-	113.6	105.9	96.0	105.8	-	93.7	98.1	-	77.1	78.2	-	66.1	-	-
124	-	106.6	99.8	89.9	102.8	-	89.7	97.1	-	77.1	78.2	-	66.1	66.1	-
131	-	-	93.8	-	97.1	92.7	85.0	95.9	-	75.0	78.2	-	66.1	66.1	-
138	-	-	88.0	-	92.4	86.9	79.2	93.5	85.8	72.6	78.2	-	65.8	66.1	-
144	-	-	84.0	-	87.3	82.9	75.2	88.4	81.8	70.6	77.2	-	64.4	66.1	-
151	-	-	-	-	78.2	-	83.7	77.1	-	68.3	76.0	74.9	63.0	66.1	-
157	-	-	-	-	75.2	-	79.6	73.0	-	66.3	74.0	71.8	61.6	65.5	-
164	-	-	-	-	71.6	-	74.9	69.4	-	63.0	70.5	68.3	59.9	65.0	65.7
177	-	-	-	-	-	-	-	63.3	-	-	65.9	61.8	57.1	61.5	60.4
190	-	-	-	-	-	-	-	-	-	-	-	56.1	-	57.8	54.8
203	-	-	-	-	-	-	-	-	-	-	-	51.5	-	54.3	49.9
216	-	-	-	-	-	-	-	-	-	-	-	-	-	-	45.8

ft	196.9 ft			216.5 ft			236.2 ft			255.9 ft			275.6 ft			295.3 ft		
	83°	73°	65°	83°	73°	65°	83°	73°	65°	83°	73°	65°	83°	73°	65°	83°	73°	65°
72	66.1	-	-	-	-	-	-	-	-	-	-	-	-	-	-	-	-	-
79	66.1	-	-	46.2	-	-	-	-	-	-	-	-	-	-	-	-	-	-
85	66.1	-	-	46.2	-	-	40.7	-	-	-	-	-	-	-	-	-	-	-
92	66.1	-	-	46.2	-	-	40.7	-	-	35.2	-	-	-	-	-	-	-	-
98	66.1	-	-	46.2	-	-	40.7	-	-	35.2	-	-	28.6	-	-	-	-	-
105	66.1	-	-	46.2	-	-	40.7	-	-	35.2	-	-	28.6	-	-	24.2	-	-
111	66.1	-	-	46.2	-	-	40.7	-	-	35.2	-	-	28.6	-	-	24.2	-	-
118	66.1	-	-	46.2	-	-	40.7	-	-	35.2	-	-	28.6	-	-	24.2	-	-
124	66.1	66.1	-	46.2	-	-	40.7	-	-	35.2	-	-	28.6	-	-	24.2	-	-
131	66.1	66.1	-	46.2	-	-	40.7	-	-	35.2	-	-	28.6	-	-	24.2	-	-
138	65.8	66.1	-	46.2	46.2	-	40.7	-	-	35.2	-	-	28.6	-	-	24.2	-	-
144	64.4	66.1	-	46.2	46.2	-	40.7	-	-	35.2	-	-	28.6	-	-	24.2	-	-
151	63.0	66.1	-	46.2	46.2	-	40.7	40.7	-	35.2	-	-	28.6	-	-	24.2	-	-
157	61.6	65.5	-	46.2	46.2	-	40.7	40.7	-	35.2	35.2	-	28.6	-	-	24.0	-	-
164	59.9	65.0	65.7	46.2	46.2	-	40.7	40.7	-	35.2	35.2	-	28.6	-	-	23.8	-	-
177	57.1	61.5	60.4	45.2	46.2	-	40.7	40.7	-	35.2	35.2	-	28.6	28.6	-	23.3	23.1	-
190	-	57.8	54.8	44.3	46.0	46.2	40.1	40.7	-	35.2	35.2	-	28.6	28.6	-	22.9	22.9	-
203	-	54.3	49.9	43.4	45.0	46.2	39.4	40.5	40.7	34.8	35.2	-	28.6	28.6	-	22.5	22.7	-
216	-	-	45.8	38.1	44.1	43.7	38.8	39.7	40.7	34.4	35.0	35.2	28.0	28.6	28.6	22.0	22.4	-
229	-	-	-	-	43.2	40.0	34.1	38.8	38.4	33.7	34.6	35.2	27.3	28.4	28.0	21.6	22.2	23.1
243	-	-	-	-	41.6	36.5	-	37.9	35.0	30.7	33.9	35.2	26.6	27.7	27.3	20.9	22.0	22.4
256	-	-	-	-	33.9	-	37.0	32.1	23.7	33.2	32.3	32.3	25.9	26.8	26.6	20.5	21.3	21.8
269	-	-	-	-	-	-	-	29.5	-	32.6	29.7	21.8	26.2	26.2	26.2	20.0	20.9	21.1
282	-	-	-	-	-	-	-	-	-	27.8	27.5	-	25.3	25.5	25.5	19.4	20.2	20.7
295	-	-	-	-	-	-	-	-	-	25.6	-	-	24.7	24.9	24.9	14.4	19.8	20.2
308	-	-	-	-	-	-	-	-	-	-	-	-	-	-	23.2	-	19.2	19.8
321	-	-	-	-	-	-	-	-	-	-	-	-	-	-	-	-	18.5	19.4
334	-	-	-	-	-	-	-	-	-	-	-	-	-	-	-	-	-	18.9

Remarks

*Incl. 13.1 ft adapter

Counterweight 220,500 lb 264,600 lb 308,700 lb 352,800 lb

Max. capacities with minimum counterweight

Further counterweight configurations on request

Lifting capacities luffing fly jib with SL, main boom 83° to 65°

Main boom: 162.4 ft*



360°

DIN/ISO

Radius	Fly jib														
	98.4 ft			118.1 ft			137.8 ft			157.5 ft			177.2 ft		
	0°	20°	40°	0°	20°	40°	0°	20°	40°	0°	20°	40°	0°	20°	40°
ft	1,000 lb														
52	99.2	-	-	-	-	-	-	-	-	-	-	-	-	-	-
59	99.2	-	-	79.3	-	-	-	-	-	-	-	-	-	-	-
65	99.2	-	-	79.3	-	-	66.1	-	-	-	-	-	-	-	-
72	99.2	-	-	79.3	-	-	66.1	-	-	57.3	-	-	-	-	-
79	99.2	-	-	79.3	-	-	66.1	-	-	57.3	-	-	50.7	-	-
85	99.2	-	-	79.3	-	-	66.1	-	-	57.3	-	-	50.7	-	-
92	96.9	-	-	79.3	-	-	66.1	-	-	57.3	-	-	50.7	-	-
98	92.8	98.3	-	79.3	-	-	66.1	-	-	57.3	-	-	50.7	-	-
105	87.0	94.7	-	77.1	-	-	66.1	-	-	57.3	-	-	50.7	-	-
111	83.0	91.7	-	75.1	78.2	-	66.1	-	-	57.3	-	-	50.7	-	-
118	-	88.2	-	71.7	77.1	-	65.0	65.9	-	57.3	-	-	50.7	-	-
124	-	84.2	-	69.6	76.1	-	63.8	65.7	-	57.3	57.3	-	50.7	-	-
131	-	79.5	76.1	66.2	73.9	-	62.0	65.2	-	56.2	57.3	-	50.7	-	-
138	-	74.8	73.7	-	71.5	-	59.9	64.9	-	55.2	57.3	-	50.6	50.7	-
144	-	-	70.7	-	68.5	69.5	58.2	63.7	-	53.6	57.3	-	50.0	50.7	-
151	-	-	67.2	-	65.2	67.2	56.1	62.3	-	51.7	57.3	-	49.1	50.7	-
157	-	-	64.9	-	62.1	64.7	-	60.1	62.9	50.3	56.5	-	48.1	50.7	-
164	-	-	-	-	-	61.9	-	57.3	60.6	48.5	55.3	-	46.7	50.7	-
177	-	-	-	-	-	56.2	-	52.5	56.0	-	50.7	53.1	44.5	49.1	50.5
190	-	-	-	-	-	-	-	-	51.2	-	45.9	48.3	42.1	45.7	47.4
203	-	-	-	-	-	-	-	-	-	-	-	44.4	-	42.2	44.4
216	-	-	-	-	-	-	-	-	-	-	-	40.5	-	38.5	40.9
229	-	-	-	-	-	-	-	-	-	-	-	-	-	-	37.4

ft	196.9 ft			216.5 ft			236.2 ft			255.9 ft			275.6 ft			295.3 ft		
	83°	73°	65°	83°	73°	65°	83°	73°	65°	83°	73°	65°	83°	73°	65°	83°	73°	65°
85	41.8	-	-	32.4	-	-	-	-	-	-	-	-	-	-	-	-	-	-
92	41.8	-	-	32.4	-	-	25.3	-	-	-	-	-	-	-	-	-	-	-
98	41.8	-	-	32.4	-	-	25.3	-	-	20.5	-	-	-	-	-	-	-	-
105	41.8	-	-	32.4	-	-	25.3	-	-	20.5	-	-	14.3	-	-	-	-	-
111	41.8	-	-	32.4	-	-	25.3	-	-	20.5	-	-	14.3	-	-	9.9	-	-
118	41.8	-	-	32.4	-	-	25.3	-	-	20.5	-	-	14.3	-	-	9.9	-	-
124	41.8	-	-	32.4	-	-	25.3	-	-	20.5	-	-	14.3	-	-	9.9	-	-
131	41.8	-	-	32.4	-	-	25.3	-	-	20.5	-	-	14.3	-	-	9.9	-	-
138	41.8	-	-	32.4	-	-	25.3	-	-	20.5	-	-	14.3	-	-	9.9	-	-
144	41.8	39.9	-	32.4	-	-	25.3	-	-	20.5	-	-	14.3	-	-	9.9	-	-
151	41.8	39.9	-	32.4	32.4	-	25.3	-	-	20.5	-	-	14.3	-	-	9.9	-	-
157	41.4	39.9	-	32.4	32.4	-	25.3	-	-	20.5	-	-	14.3	-	-	9.9	-	-
164	41.0	39.9	-	32.4	32.4	-	25.3	25.3	-	20.5	-	-	14.3	-	-	9.9	-	-
177	39.7	39.9	-	32.4	32.4	-	25.3	25.3	-	20.5	20.5	-	14.3	14.3	-	9.9	-	-
190	38.8	39.2	39.9	32.4	32.4	-	25.3	25.3	-	20.5	20.5	-	14.3	14.3	-	9.9	9.9	-
203	37.0	37.5	39.4	32.4	32.1	32.4	25.3	25.3	-	20.5	20.5	-	14.3	14.3	-	9.9	9.9	-
216	-	35.9	38.8	32.4	31.7	32.4	25.3	25.3	25.3	20.5	20.5	-	14.3	14.3	-	9.9	9.9	-
229	-	34.2	36.9	-	31.3	32.4	25.3	25.3	25.3	20.5	20.5	19.8	14.3	14.3	-	9.9	9.9	-
243	-	-	34.1	-	30.8	31.2	25.3	25.3	25.3	20.5	20.5	19.8	14.3	14.3	14.3	9.9	9.9	-
256	-	-	31.7	-	30.1	29.5	-	25.3	24.9	20.4	20.5	19.8	14.3	14.3	14.3	9.9	9.9	9.9
269	-	-	-	-	27.7	-	25.3	24.4	-	20.5	19.8	14.3	14.3	14.3	14.3	9.9	9.9	9.9
282	-	-	-	-	-	-	-	23.8	-	20.5	19.8	14.3	14.3	14.3	14.3	9.9	9.9	9.9
295	-	-	-	-	-	-	-	22.5	-	20.5	19.8	-	14.3	14.3	14.3	9.9	9.9	9.9
308	-	-	-	-	-	-	-	-	-	-	19.8	-	14.3	14.3	-	9.9	9.9	-
321	-	-	-	-	-	-	-	-	-	-	-	-	14.3	-	-	9.9	9.9	-
334	-	-	-	-	-	-	-	-	-	-	-	-	14.3	-	-	9.9	9.9	-
348	-	-	-	-	-	-	-	-	-	-	-	-	-	-	-	-	-	9.9

Remarks

*Incl. 13.1 ft adapter
 Counterweight 220,500 lb 264,600 lb 308,700 lb 352,800 lb
 Max. capacities with minimum counterweight
 Further counterweight configurations on request

Lifting capacities luffing fly jib with SL, main boom 83° to 65°



Main boom: 195.2 ft*



360°

DIN/ISO

Radius	Fly jib														
	98.4 ft			118.1 ft			137.8 ft			157.5 ft			177.2 ft		
	0°	20°	40°	0°	20°	40°	0°	20°	40°	0°	20°	40°	0°	20°	40°
ft	1,000 lb														
59	54.0	-	-	-	-	-	-	-	-	-	-	-	-	-	-
65	53.8	-	-	41.8	-	-	-	-	-	-	-	-	-	-	-
72	53.5	-	-	41.8	-	-	35.2	-	-	-	-	-	-	-	-
79	53.5	-	-	41.8	-	-	35.2	-	-	30.8	-	-	-	-	-
85	53.3	-	-	41.8	-	-	35.2	-	-	30.8	-	-	26.4	-	-
92	53.3	-	-	41.8	-	-	35.2	-	-	30.8	-	-	26.4	-	-
98	53.1	-	-	41.8	-	-	35.2	-	-	30.8	-	-	26.4	-	-
105	53.1	-	-	41.8	-	-	35.2	-	-	30.8	-	-	26.4	-	-
111	53.1	53.8	-	41.8	-	-	35.2	-	-	30.8	-	-	26.4	-	-
118	-	53.1	-	41.8	41.8	-	35.2	-	-	30.8	-	-	26.4	-	-
124	-	52.5	-	41.8	41.8	-	35.2	-	-	30.8	-	-	26.4	-	-
131	-	50.9	-	41.8	41.8	-	35.2	34.6	-	30.8	-	-	26.4	-	-
138	-	49.0	-	-	41.8	-	35.2	34.6	-	30.6	30.8	-	26.4	-	-
144	-	47.0	-	-	41.2	-	35.2	34.6	-	30.4	30.4	-	26.4	-	-
151	-	-	44.9	-	40.5	-	35.2	34.6	-	29.9	30.1	-	26.4	25.3	-
157	-	-	43.3	-	39.3	-	-	34.2	-	29.7	29.7	-	26.4	25.3	-
164	-	-	41.2	-	38.1	38.3	-	33.7	-	29.3	29.5	-	26.4	25.3	-
177	-	-	-	-	-	35.5	-	32.4	32.6	-	28.6	-	26.4	25.3	-
190	-	-	-	-	-	32.6	-	-	30.9	-	27.5	27.8	26.4	24.9	-
203	-	-	-	-	-	-	-	-	28.7	-	26.2	26.2	-	24.0	24.0
216	-	-	-	-	-	-	-	-	-	-	24.5	-	-	23.1	22.5
229	-	-	-	-	-	-	-	-	-	-	22.5	-	-	-	21.0
243	-	-	-	-	-	-	-	-	-	-	-	-	-	-	19.3

ft	196.9 ft			216.5 ft			236.2 ft			255.9 ft			275.6 ft			295.3 ft		
	83°	73°	65°	83°	73°	65°	83°	73°	65°	83°	73°	65°	83°	73°	65°	83°	73°	65°
85	20.9	-	-	-	-	-	-	-	-	-	-	-	-	-	-	-	-	-
92	20.9	-	-	14.3	-	-	-	-	-	-	-	-	-	-	-	-	-	-
98	20.9	-	-	14.3	-	-	11.0	-	-	-	-	-	-	-	-	-	-	-
105	20.9	-	-	14.3	-	-	11.0	-	-	7.2	-	-	-	-	-	-	-	-
111	20.9	-	-	14.3	-	-	11.0	-	-	7.2	-	-	-	-	-	-	-	-
118	20.9	-	-	14.3	-	-	11.0	-	-	7.2	-	-	-	-	-	-	-	-
124	20.9	-	-	14.3	-	-	11.0	-	-	7.2	-	-	-	-	-	-	-	-
131	20.9	-	-	14.3	-	-	11.0	-	-	7.2	-	-	-	-	-	-	-	-
138	20.9	-	-	14.3	-	-	11.0	-	-	7.2	-	-	-	-	-	-	-	-
144	20.9	-	-	14.3	-	-	11.0	-	-	7.2	-	-	-	-	-	-	-	-
151	20.9	-	-	14.3	-	-	11.0	-	-	7.2	-	-	-	-	-	-	-	-
157	20.9	19.4	-	14.3	-	-	11.0	-	-	7.2	-	-	-	-	-	-	-	-
164	20.9	19.4	-	14.3	14.3	-	11.0	-	-	7.2	-	-	-	-	-	-	-	-
177	20.9	19.4	-	14.3	14.3	-	11.0	11.0	-	7.2	7.2	-	-	-	-	-	-	-
190	20.9	19.4	-	14.3	14.3	-	11.0	11.0	-	7.2	7.2	-	-	-	-	-	-	-
203	20.9	19.4	-	14.3	14.3	-	11.0	11.0	-	7.2	7.2	-	-	-	-	-	-	-
216	-	19.4	19.4	14.3	14.3	14.3	11.0	11.0	-	7.2	7.2	-	-	-	-	-	-	-
229	-	19.4	19.4	14.3	14.3	13.9	11.0	11.0	8.8	7.2	7.2	-	-	-	-	-	-	-
243	-	19.4	18.7	-	14.3	13.4	11.0	11.0	8.8	7.2	7.2	7.2	-	-	-	-	-	-
256	-	-	17.4	-	14.3	13.0	-	11.0	8.8	7.2	7.2	7.2	-	-	-	-	-	-
269	-	-	16.0	-	-	12.3	-	11.0	8.8	7.2	7.2	7.2	-	-	-	-	-	-
282	-	-	-	-	-	11.6	-	11.0	8.8	-	7.2	7.2	-	-	-	-	-	-
295	-	-	-	-	-	-	-	-	8.8	-	7.2	7.0	-	-	-	-	-	-
308	-	-	-	-	-	-	-	-	8.8	-	-	6.8	-	-	-	-	-	-
321	-	-	-	-	-	-	-	-	-	-	-	6.6	-	-	-	-	-	-

Remarks

*Incl. 13.1 ft adapter

Counterweight 220,500 lb 264,600 lb 308,700 lb 352,800 lb

Max. capacities with minimum counterweight

Further counterweight configurations on request

Notes to lifting capacity

Ratings are in compliance with ISO 4305 and DIN 15019.2 (test load = 1.25 x suspended load + 0.1 x dead weight of boom reduced to boom point).

Weight of hook blocks and slings is part of the load, and is to be deducted from the capacity ratings.

Crane operation is permissible up to a
wind pressure of 1.25 lb/ft²
wind speed of 32 ft/s

Consult operation manual for further details.

Note: Data published herein is intended as a guide only and shall not be construed to warrant applicability for lifting purposes. Crane operation is subject to the computer charts and operation manual both supplied with the crane.

Carrier

Drive/steering:	18 x 8 x 16.
Frame:	Demag-built special main frame of high-strength fine-grain structural steel, with pot-shaped centre section to accommodate the outrigger beams.
Outriggers:	4-point outrigger system, folding outrigger beams, fully hydraulic horizontal and vertical extension, providing 360° continuous rotation. Outrigger loading indicator.
Engine:	Water-cooled 8-cylinder Daimler-Benz diesel engine OM 502 LA, output 420 kW (571 hp) at 1800 1/min, torque 2700 Nm at 1100 1/min. Fuel tank capacity: 171.700 gallons.
Transmission:	Allison type CLBT 755 with electronic transmission control (ATEC), torque converter and hydraulic retarder. Dual-range transfer case with differential lockout control.
Axles:	3 + 4, 8 + 9 driving, 1-5 and 7-9 steering, all axles hydropneumatically suspended and hydraulically blockable.
Wheels and tyres:	18 wheels, 14.00-R 25.
Steering:	Dual-circuit semiblock mechanical steering with hydraulic booster.
Brakes:	in conformity with EC-directives. Sustained action brake: constant decompression valve, exhaust brake, hydr. retarder integrated into gearbox.
Electrical equipment:	24 V system, lighting in compliance with German StVZO.
Driver's cab:	Rubber-mounted low-line steel cab, ergonomic design, with pneumatically suspended driver's seat and one passenger's seat; vertically adjustable steering wheel; heated outside mirrors, right-hand mirror electrically adjustable; dashboard with clearly arranged instrumentation and carrier controls.

Superstructure

Engine:	Water-cooled 6-cylinder Daimler Benz diesel engine OM 906 LA, output: 205 kW (279 hp) at 2300 1/min, torque 1100 Nm at 1300 1/min. Fuel tank capacity: 300 l.
Hydraulic system:	Powered via five hydraulic circuits, three main pumps for independent control movements, one pump for auxiliary circuits, one control pump for the servo control.
Hoist I:	Axial-piston variable displacement motor, hoist drum with integrated planetary gear reducer, and brake.
Slew unit:	Axial piston motor with planetary gearing, foot-operated brake, and spring-applied holding brake.
Boom elevation:	Two differential cylinders with pilot-controlled lowering brake valves.
Control:	Electrical pilot-control by two self-centering servo levers.
Crane cab:	Spacious all-steel comfortable cab (tiltable) with sliding door and large hinged windscreen, roof window with armoured glass, full instrumentation and crane controls, comfortable seat with ergonomic armrest mounted joystick controls, working light. Self-contained hot water heater with timer and 'Heiz-matic' for sensitive heat flow control. Intermittent control window wiper and washer, air-conditioning.
Main boom:	Boom base and four telescopic sections fabricated from fine grain structural steel, telescoping with partial load. Buckling-resistant Demag ovaloid design with diagonally arranged self-centering slider shoes.
Counterweight:	220,500 lb, divisible.
Safety devices:	Electronic safe load indicator with large graphic display and sealed touch-type keyboard, digital read-out for hook load, nominal load, boom length, angle, and radius. Analog display to indicate the capacity utilization, and monitoring code to assist in trouble shooting. Integrated control system for boom telescoping, display for load charts and theoretical outrigger loading. In addition, provision has been made for: limit switches on hoist and lowering motions, pressure relief and safety holding valves, hoist rotation indicator and anemometer.

Optional equipment

Superlift attachment:	This attachment is used to increase the crane's load moment. It consists of the boom suspension mast with pendant ropes, which provides for an automatic rope length adjustment for boom telescoping, and a 132,300 lb additional counterweight. The suspension mast is lowered to the main boom when not needed, or for road transport (axle loads to be observed).
Main boom extension:	Lattice extension consisting of components of the 295.3 ft luffing jib, 19.6 – 118.1 ft long, 0°, 20° and 40° offset.
Fixed jib:	Fixed lattice jib, comprising of parts of the luffing jib, 65.6 – 164.0 ft long (LF-system).
Luffing jib:	78.7 – 315.0 ft, plus 13.1 ft adapter, with two luffing masts, pendant bars, electrical equipment, safety devices (hoist II is required when using the luffing jib).
Additional counterweight:	132,300 lb, integrated into the standard counterweight, installed by the crane itself.
Additional jack leg:	For special duties with 50.9 ft main boom.
Hoist II:	Axial piston variable displacement motor, hoist drum with integrated planetary reduction, spring-applied multi-disk brake, hoist rope.
Independent rear axle steering	